



# Cable entry- and cable retaining systems



## Solutions for cable applications – Product line overview



### CABLE ENTRY SYSTEM FOR CABLES WITH PLUGS

The cable entry system is designed for inserting pre-assembled cables and electrical cables in divider walls, junction boxes, control cabinets...

from page 815



### CABLE ENTRY SYSTEM FOR CABLES WITHOUT PLUGS

The cable entry plate is a routing and fastening system for cables without plugs or pneumatic hoses.

from page 845



### EMC SOLUTIONS

The EMC systems are used to dissipate electromagnetic interference and conducted fault currents.

from page 907



### STRAIN RELIEF / CABLE FIXING PLATE

The strain relief plate is used wherever the strain on cables, single wires or conduits must be securely and easily relieved. Cable fixing plates are clipped onto top-hat rails or C-rails without tools.

from page 937



### “M-SEAL” CABLE FITTINGS

“m-seal” cable fittings, made of plastic or metal, are able to meet highest demands and can be mounted quickly and easily.

from page 955



### ACCESSORIES / TOOLS AND PUNCHING TOOLS

Adapter plates, blanking panels, catch hooks and much more. Tools for electrical installation, as well as for creating exact cut-outs in steel and stainless steel sheets.

from page 983





# Contents

Solutions for cable applications – Product line overview . . . . .	Page	759
Table of Contents . . . . .	Page	760 – 763
On demand – customer-specific cable entry solutions . . . . .	Page	764 – 765

## SELECTION TABLES CABLE ENTRY SYSTEMS AND CABLE ENTRY PLATES

<b>Overview selection tables . . . . .</b>	<b>Page</b>	<b>768</b>
<b>Overview grommets for cable entry systems . . . . .</b>	<b>Page</b>	<b>769</b>
<b>Selection tables for cable entry systems . . . . .</b>	<b>Page</b>	<b>770 – 785</b>
<b>Selection tables for plastic cable entry plates. . . . .</b>	<b>Page</b>	<b>786 – 799</b>
<b>Selection tables for metal cable entry plates . . . . .</b>	<b>Page</b>	<b>800 – 807</b>
<b>Selection tables for cable entry membranes . . . . .</b>	<b>Page</b>	<b>808 – 811</b>
<b>Selection tables for cable entry plates for railway technology . . . . .</b>	<b>Page</b>	<b>812 – 814</b>

## CABLE ENTRY PLATES FOR CABLES WITH PLUG CONNECTORS

<b>KDL/C, KDL/D and KDL/H cable entry systems . . . . .</b>	<b>Page</b>	<b>815 – 828</b>
• KDL/C cable entry system . . . . .	Page	816 – 817
• KDL/D cable entry system . . . . .	Page	818 – 819
• KDL/D-mono cable entry system . . . . .	Page	820
• KDL/H cable entry system. . . . .	Page	821 – 822
KDT/X cable entry grommets. . . . .	Page	823 – 824
• KDL/H-VA FDA cable entry system . . . . .	Page	825
KDT/X FDA cable entry grommets . . . . .	Page	826 – 827
<b>KDL/E cable entry system . . . . .</b>	<b>Page</b>	<b>829 – 834</b>
• KDL/E cable entry system. . . . .	Page	830 – 831
KDT/xE cable entry grommets . . . . .	Page	832 – 833
<b>KDL/S cable entry system . . . . .</b>	<b>Page</b>	<b>835 – 840</b>
• KDL/S cable entry system. . . . .	Page	836 – 837
KDT/S cable entry grommets. . . . .	Page	838 – 839
<b>KDL-Jumbo cable entry system . . . . .</b>	<b>Page</b>	<b>841 – 844</b>
• KDL-Jumbo cable entry system . . . . .	Page	842
KDT/Z-Jumbo cable entry grommets . . . . .	Page	843

## CABLE ENTRY PLATES FOR CABLES WITHOUT PLUG CONNECTORS

<b>KDP cable entry plate, plastic, rectangular. . . . .</b>	<b>Page</b>	<b>845 – 860</b>
• KDP/Z cable entry plate, plastic . . . . .	Page	846 – 850
• KDP/E 24 cable entry plate, plastic . . . . .	Page	851 – 852
• KDP 24-Multi cable entry plate, plastic . . . . .	Page	853
• KDP/F 24 cable entry plate, plastic . . . . .	Page	854 – 855
• KDP/N 24 cable entry plate, plastic . . . . .	Page	856 – 857
• KDP/X 24 cable entry plate, plastic . . . . .	Page	858 – 859
• KDP/S-Z cable entry plate, plastic, customer-specific . . . . .	Page	860
<b>KDP cable entry plate, plastic, round. . . . .</b>	<b>Page</b>	<b>861 – 868</b>
• KDP/R cable entry plate, plastic, round . . . . .	Page	862 – 863
• KDP/R-KGM cable entry plate, plastic, round . . . . .	Page	864
• KDPR/F cable entry plate, plastic, round . . . . .	Page	865
• KDP/ZR cable entry plate, plastic, round . . . . .	Page	866 – 868
<b>KDP cablequick® cable entry plate, metal . . . . .</b>	<b>Page</b>	<b>869 – 890</b>
• cablequick® type 90 . . . . .	Page	870 – 876

# Contents

• cablequick® type 100 . . . . .	Page	877 – 878
• cablequick® type 105 . . . . .	Page	879 – 880
• cablequick® type 120 . . . . .	Page	881 – 882
• cablequick® type 134 . . . . .	Page	883
• cablequick® type 149 . . . . .	Page	884 – 887
• cablequick® type 160 . . . . .	Page	888
• cablequick® FDA type 100 . . . . .	Page	889
• cablequick® FDA type 149 . . . . .	Page	890
<b>KDM cable entry membrane . . . . .</b>	<b>Page</b>	<b>891 – 894</b>
• KDM cable entry membrane . . . . .	Page	892
• KDM/F cable entry membrane . . . . .	Page	893
• KDM/G cable entry membranes . . . . .	Page	894
<b>CABLE ENTRY PLATES FOR RAILWAY TECHNOLOGY</b>		
<b>Cable entry system KDL railway technology . . . . .</b>	<b>Page</b>	<b>895 – 901</b>
• RAS room integrity set. . . . .	Page	896
• KDL/D-EN cable entry system . . . . .	Page	897 – 898
• KDL/H-EN cable entry system . . . . .	Page	899
KDT/X-EN cable entry grommets . . . . .	Page	900 – 901
• . . . . .		
<b>Cable entry plate KDP railway technology . . . . .</b>	<b>Page</b>	<b>902 – 906</b>
• KDP/EN cable entry plate . . . . .	Page	902 – 903
• KDP/EN-RA cable entry plate . . . . .	Page	904 – 905
• KDP/EN cable entry plate, metal . . . . .	Page	906
<b>EMC SOLUTIONS</b>		
<b>EMC shield clips system. . . . .</b>	<b>Page</b>	<b>908 – 917</b>
• SC-EMV / MSC-EMV shield clips. . . . .	Page	908
• SCF-EMV / MSCF-EMV shield clips with snap-on foot . . . . .	Page	909
• SCFZ-EMV shield clip with snap-on foot and strain relief . . . . .	Page	910
• DCS-EMV / DCSZ-EMV double clip for busbar . . . . .	Page	911
• MCS-EMV / MCSZ-EMV multi-clip for busbar . . . . .	Page	912
• MFZ-EMV mounting foot with strain relief . . . . .	Page	913
• MCS-EMV / MCSZ-EMV mounting foot for busbar . . . . .	Page	914
• DF-EMV / DFZ-EMV direct-mount foot . . . . .	Page	915
• RFZ-EMV foot for string mounting with strain relief . . . . .	Page	916
• EMC assortment kit . . . . .	Page	917
<b>EMC cable entry system. . . . .</b>	<b>Page</b>	<b>918 – 921</b>
• KDL xx/xx-EMV cable entry system . . . . .	Page	918 – 919
KDT/Z-EMV cable entry grommets . . . . .	Page	920 – 921
• . . . . .		
<b>EMC cable entry plate . . . . .</b>	<b>Page</b>	<b>922</b>
• KDP/N-EMV module cable entry plate . . . . .	Page	922
<b>EMC cable fixing plate . . . . .</b>	<b>Page</b>	<b>923 – 926</b>
• KAF/K cable fixing plate . . . . .	Page	923
• KAF/EK cable fixing plate . . . . .	Page	924
• KAF/SF cable fixing plate . . . . .	Page	925
• KAF/DC cable fixing plate . . . . .	Page	926



## Contents

<b>EMC strain relief</b>	<b>Page</b>	<b>927</b>
• ZL xx-AB strain relief	Page	927
<b>EMC discharge plate</b>	<b>Page</b>	<b>928 – 930</b>
• KDL-AB discharge plate	Page	928
• KDL/N-AB discharge plate	Page	929
• AB-Clip 24-EMV discharge plate	Page	930
<b>EMC shield clip system accessories</b>	<b>Page</b>	<b>931 – 933</b>
• SAS busbar	Page	931
• SAS busbar mounting foot	Page	932
• FBE ribbon earthing cable	Page	933
<b>Shielding clamp</b>	<b>Page</b>	<b>934 – 936</b>
• SK shielding clamp	Page	934
• SKS shielding clamp	Page	935
 <b>STRAIN RELIEF / CABLE FIXING PLATE</b>		
<b>Strain relief</b>	<b>Page</b>	<b>937 – 951</b>
• ZL-fix strain relief	Page	938
• ZL strain relief	Page	939 – 940
• ZL-AH strain relief	Page	941
• ZL strain relief	Page	942 – 943
• ZL-AM strain relief	Page	944
• ZL-SW strain relief	Page	945
• ZL-STRA, ALU strain relief	Page	946
• ZL-C strain relief	Page	947
• ZL-MF strain relief	Page	948
• ZLF strain relief	Page	949
• KDZL strain relief	Page	950
• KS-fix strain relief	Page	951
<b>Cable fixing plate</b>	<b>Page</b>	<b>952 – 954</b>
• KAF cable fixing plate	Page	952
• KAF/NI cable fixing plate	Page	953
• KBL cable tie rail	Page	954
 <b>CABLE FITTINGS M-SEAL</b>		
<b>Fitting</b>	<b>Page</b>	<b>956 – 960</b>
• Cable fitting m-seal KV (plastic version)	Page	956 – 957
• Cable fitting m-seal MV (metal version)	Page	958 – 959
• Cable fitting m-seal EMC	Page	960
 <b>ACCESSORIES</b>		
<b>Cable entry / Cable retaining</b>		
<b>Dummy plug</b>	<b>Page</b>	<b>962</b>
• BS-KDP-Z dummy plug	Page	962
<b>Catch hook</b>	<b>Page</b>	<b>963</b>
• KDL/E catch hook	Page	963
<b>Control cabinet floor plate</b>	<b>Page</b>	<b>964 – 965</b>
• SBB control cabinet floor plate	Page	964 – 965
<b>Conduit connector</b>	<b>Page</b>	<b>966</b>
• KDP/H conduit connector	Page	966
<b>Blanking plates</b>	<b>Page</b>	<b>967 – 968</b>
• Blanking plate (plastic version)	Page	967
• Blanking plate (metal version)	Page	968
<b>Adapter plates</b>	<b>Page</b>	<b>969 – 973</b>
• Adapter plate Rittal	Page	969 – 970

# Contents

• Sarel adapter plate . . . . .	Page	971
• Lohmeier adapter plate . . . . .	Page	972
• Ensto adapter plate . . . . .	Page	973
<b>Strain relief / cable fixing plate</b>		
<b>Spacer sleeve . . . . .</b>	<b>Page</b>	<b>974</b>
• DH spacer sleeve . . . . .	Page	974
<b>Insert bushing . . . . .</b>	<b>Page</b>	<b>975</b>
• ELB insert bushing . . . . .	Page	975
<b>Securing rivet . . . . .</b>	<b>Page</b>	<b>976</b>
• BN securing rivet . . . . .	Page	976
<b>Cable tie . . . . .</b>	<b>Page</b>	<b>977 – 978</b>
• KB/KBM Cable tie . . . . .	Page	977 – 978
• BF cable ties. . . . .	Page	978
<b>Screw-down and adhesive holder . . . . .</b>	<b>Page</b>	<b>979</b>
• SH screw-down holder . . . . .	Page	979
• KH screw-down and adhesive holder . . . . .	Page	979
<b>Velcro tape . . . . .</b>	<b>Page</b>	<b>980</b>
• KB-fix Velcro tape . . . . .	Page	980
<b>Sealing plug . . . . .</b>	<b>Page</b>	<b>981</b>
• VST sealing plug . . . . .	Page	981
<b>TOOL</b>		
<b>Riveting tool . . . . .</b>	<b>Page</b>	<b>984</b>
• BNW riveting tool . . . . .	Page	984
<b>Assembly tool . . . . .</b>	<b>Page</b>	<b>985 – 988</b>
• KS cable shears. . . . .	Page	985
• KM cable stripper . . . . .	Page	985
• KBW / KKBW cable tie tool for plastic cable ties . . . . .	Page	986
• KBW/M cable tie tool for metal cable ties . . . . .	Page	987
• MMH magnetic assembly aid. . . . .	Page	988
<b>Punching tools</b>		
<b>Pumps . . . . .</b>	<b>Page</b>	<b>990 – 992</b>
• SW-HG hydraulic manual punch . . . . .	Page	990
• SW-HW hydraulic manual punch. . . . .	Page	991
• SW-HF hydraulic manual punch . . . . .	Page	992
<b>Dies . . . . .</b>	<b>Page</b>	<b>993 – 999</b>
• SW-WR punching tools (rectangular) . . . . .	Page	993
• SW-WQ punching tools (square) . . . . .	Page	994
• SW-WE punching tools (round) . . . . .	Page	995 – 996
• SW-WS punching tool sets . . . . .	Page	997
• SW-WD punching tool (SUB-MIN-D). . . . .	Page	998
• SW-ASN universal punching tools . . . . .	Page	999
<b>Spare parts for punching tools . . . . .</b>	<b>Page</b>	<b>1000</b>
• Tension bolt / spacer bushings / tap drills / replacement stamp . . . . .	Page	1000
<b>APPENDIX</b>		
• Protection classes in accordance with DIN EN 60529 . . . . .	Page	1002
• Description of fire classifications according to UL 94 . . . . .	Page	1003
• General information . . . . .	Page	1004
<b>TYPE INDEX</b>	Page	1005 – 1006



## KDP On Demand

### Enquiry, order and delivery within a few days

The “KDP On Demand” can be configured online with just a few steps at [www.mp4you.de](http://www.mp4you.de). You may also submit a CAD drawing with all the technical specifications online.

Details, such as specifications of the desired cut-out sizes and shapes, the hole pattern, the number of cables to be installed, and the required information about cable diameters may be transferred in this way. Furthermore, you may request additional information about the material of the cable entry, an added strain relief or a fire bulkhead.

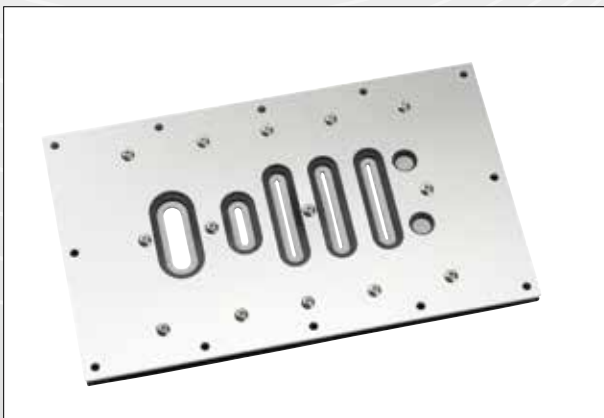
Last but not least you will need to define the type and size of fastening mechanism or the housing seal you require.

Murrplastik is able to deliver a drawing and the corresponding offer within one working day. After the production order has been issued, the delivery will take place within 10 working days. The protection class IP65 is reliably achieved with our on demand productions.



### Stainless steel

Particularly suitable for insertions that are used in environments with a high probability of corrosion. Furthermore a perfect solution in Hygienic Design for the pharmaceutical or food industry with our FDA compliant sealing materials. Attachment by using a welded threaded bolt is only one of the many possibilities.



### Aluminium

The inexpensive alternative with high stability and low total weight. One of the most frequently chosen variants, often used in special machine construction as well as in building services engineering as wall feed-through.





### KDP/S-Z

For quick assembly with individual hole pattern. Available in specified standardized external dimensions, in which customer-specific openings can be provided. Frequently used for the assembly of ribbon cables in system construction, as well as for the construction of control cabinets. Our pine tree clips BFC enable tool-free assembly.



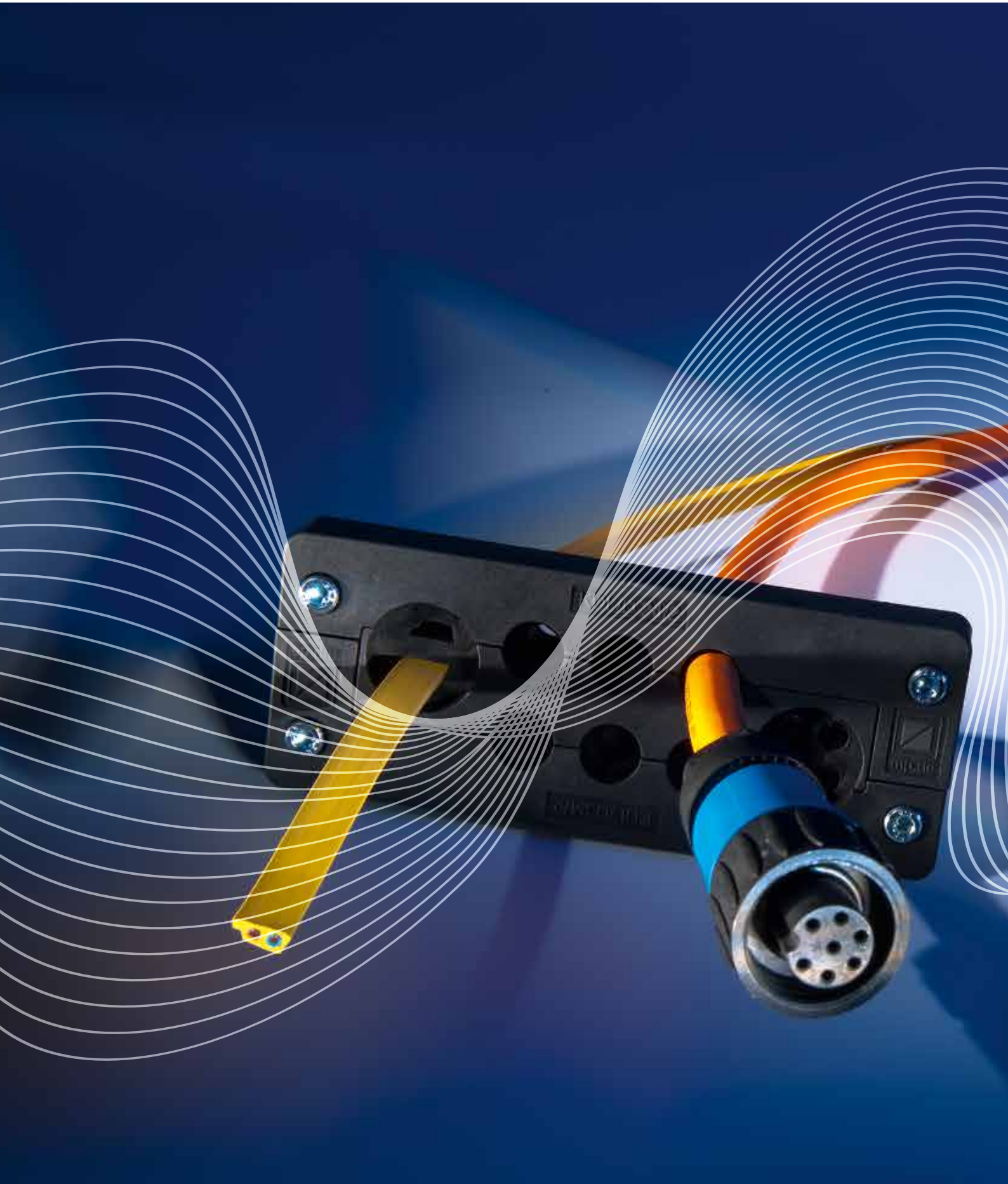
### PVC

For areas in which no metal is to be used, the dimensions or the application are specific, the plastic version is often opted for.

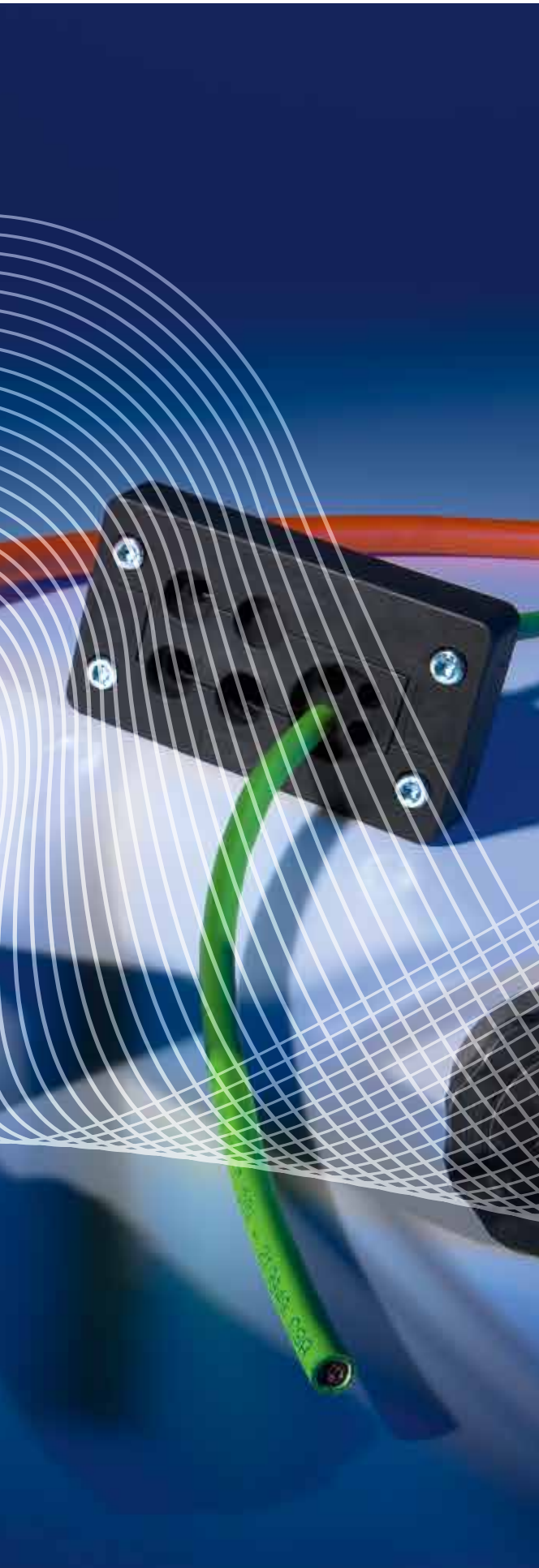


### KDP/S

For the quick assembly of cables with plugs and individual hole pattern. Available in specified standardized external dimensions, in which customer-specific openings can be provided.



**Selection tables**  
**Cable Entry Systems**  
**Cable entry plates**





## Selection tables for cable entry systems and plates

### THE MOST IMPORTANT MURRPLASTIK CABLE ENTRY SYSTEMS IN THE OVERVIEW

Which cable entry system would best meet your requirements? How many openings for cables with or without plugs are available on the system? What are the available forms and materials? Get an overview of our systems and the corresponding accessories.



#### Cable entry system Type KDL/C and KDL/D

Cable entry systems for cables with plugs. The KDL/D is built with a massive frame for increased stability.

from page 770



#### Cable entry plate, Type KDP, plastic, round

Types KDPR/F, KDP/R and KDP/R-KGM for cables without plugs. For standard M40, M50 and M63 cut-outs.

from page 796



#### Cable entry system Type KDL/H

Die-cast zinc cable entry systems for cables with plugs. For the highest degree of stability and tightness up to IP 69K.

from page 776



#### Cable entry plate Type KDP, metal, cablequick®

Cable entry for cables without plugs, made of V4A stainless steel, sheet metal or aluminium.

from page 800



#### Cable entry system Type KDL/E

Cable entry plates for cables with conductors fitting cut-out sizes 16- and 24-pin.

from page 780



#### Cable entry membranes Type KDM

For cables without plugs and for pneumatic tubing. Fits standard cut-outs of M12 to M50.

from page 808



#### Cable entry system Type KDL-Jumbo

Splittable cable entry plates for cables with diameters of 30 – 65 mm.

from page 784



#### Cable entry plate for railway technology

The types KDP/EN and KDP/EN-RA meet the requirements of the EN 45545-2:2013 standards for railway technology.

from page 812



#### KDP cable entry plate, plastic, rectangular

Types KDP/X, KDP/N, KDP/E, KDP/F and KDP 24-Multi for cables without plugs. Greatest diversity in variants and applications

from page 786



# Overview of grommets for cable entry systems

## POSSIBLE COMBINATIONS OF VARIOUS GROMMETS AND CABLE ENTRY SYSTEMS

The most varied combinations of cables and conduits can be installed in our cable entry systems using various grommets. This is an overview of the available grommet types and suitable cable entry systems.

					
<b>Cable grommet</b>	<b>Grommets with diameters of between 3 and 65 mm for round cables</b>				
	KDT/ZE small	KDT/X small			KDT/Z jumbo
		KDT/X medium			
	KDT/ZE large	KDT/X large			
<b>Variable cable grommet</b>	<b>Grommets with variable diameter for round cables</b>				
	KDT/VE small				
<b>ASI-/USB-/LAN grommets</b>	<b>Special grommets</b>				
	KDT/ZE ASI small	KDT/X ASI medium			
	KDT/ZE 2xASI	KDT/X 2xASI medium			
		KDT/X-USB medium			
		KDT/X-LAN large			
<b>Multi-line grommet</b>	<b>High-capacity grommets with several openings</b>				
	KDT/ZE 2x/4xsmall	KDT/X 2x2 mm 2x3 mm 2x4 mm small			
		KDT/X 4x2 mm 4x3 mm 4x4 mm small			
		KDT/X 2x5 mm 2x6 mm 2x7 mm 2x8 mm medium			
		KDT/X 4x5 mm 4x6 mm 4x7 mm 4x8 mm medium			
<b>Conduit grommet</b>	<b>Grommets for the feed-through of cable protection conduits</b>				
	SDT/ZE small				
	SDT/ZE large				
<b>Dummy grommet</b>	<b>Grommets for closing off unused slots</b>				
	BTK/E small	BTK/X small			BT-Jumbo
	BTG/E large	BTG/X medium			
		BTG/XL large			





KDH



## Selection table KDL/C and KDL/D 24/xx for cables with plugs

### POSSIBLE COMBINATIONS OF CABLE ENTRY SYSTEMS AND GROMMETS

KDL/C 24 and KDL/D 24 cable entry systems have the identical grommet block, equipped with large, medium and small grommets for a variety of uses. The three-compartment frame clearly gives the KDL/D the better mechanical stability and a higher degree of tightness.

<b>X</b> Number of grommets <b>X</b> Suitable grommets	<b>A</b> Small grommets 2 – 12 mm	<b>B</b> Medium grommets 12 – 22 mm	<b>C</b> Large grommets 22 – 30 mm
 <p><b>KDL/D 24/3</b> KDL/D: 87141013</p>		<p>Number of grommets: 1</p> <ul style="list-style-type: none"> <li>KDT/X cable grommet</li> <li>KDT/X 2x/4x multi-line grommet</li> <li>BTG/X dummy grommet</li> <li>KDT/X ASI, ASI cable grommet</li> <li>KDT/X USB, USB cable grommet</li> <li>ATG/X adapter grommet</li> </ul>	<p>Number of grommets: 2</p> <ul style="list-style-type: none"> <li>KDT/X cable grommet</li> <li>Dummy grommet BTG/XL</li> <li>Adapter grommet ATG/XL</li> </ul>
 <p><b>KDL/C/D 24/4</b> KDL/C: 87141016 / KDL/D: 87141014</p>		<p>Number of grommets: 4</p> <ul style="list-style-type: none"> <li>KDT/X cable grommet</li> <li>KDT/X 2x/4x multi-line grommet</li> <li>BTG/X dummy grommet</li> <li>KDT/X ASI, ASI cable grommet</li> <li>KDT/X USB, USB cable grommet</li> <li>ATG/X adapter grommet</li> </ul>	
 <p><b>KDL/C/D 24/8</b> KDL/C: 87141020 / KDL/D: 87141018</p>	<p>Number of grommets: 6</p> <ul style="list-style-type: none"> <li>KDT/X cable grommet</li> <li>KDT/X 2x/4x multi-line grommet</li> <li>BTK/X dummy grommet</li> </ul>	<p>Number of grommets: 2</p> <ul style="list-style-type: none"> <li>KDT/X cable grommet</li> <li>KDT/X 2x/4x multi-line grommet</li> <li>BTG/X dummy grommet</li> <li>KDT/X ASI, ASI cable grommet</li> <li>KDT/X USB, USB cable grommet</li> <li>ATG/X adapter grommet</li> </ul>	
 <p><b>KDL/C/D 24/9</b> KDL/C: 87141024 / KDL/D: 87141022</p>	<p>Number of grommets: 8</p> <ul style="list-style-type: none"> <li>KDT/X cable grommet</li> <li>KDT/X 2x/4x multi-line grommet</li> <li>BTK/X dummy grommet</li> </ul>	<p>Number of grommets: 1</p> <ul style="list-style-type: none"> <li>KDT/X cable grommet</li> <li>KDT/X 2x/4x multi-line grommet</li> <li>BTG/X dummy grommet</li> <li>KDT/X ASI, ASI cable grommet</li> <li>KDT/X USB, USB cable grommet</li> <li>ATG/X adapter grommet</li> </ul>	
 <p><b>KDL/C/D 24/12</b> KDL/C: 87141012 / KDL/D: 87141010</p>	<p>Number of grommets: 12</p> <ul style="list-style-type: none"> <li>KDT/X cable grommet</li> <li>KDT/X 2x/4x multi-line grommet</li> <li>BTK/X dummy grommet</li> </ul>		

## Fitting grommets for all variants of KDL/C, KDL/C, KDL/D and KDL/H



### CABLE GROMMET FOR ROUND CABLES

For example, the KDT/X cable entry grommets are perfect for cable entries or feed-through of round, pre-assembled cables at control cabinets. The small version covers cable diameters of between 2 to 12 mm, the medium covers between 12 to 22 mm and the large covers between 22 to 30 mm. The lengthwise slotted grommet, made of thermoplastic natural rubber is placed around the cable and pushed into the grommet block.



### MULTI-LINE CABLE ENTRY GROMMET

The KDT/X 2x/4x multi-line cable entry grommet in their small version (for slots of type **A**) and in the medium version (for slots of type **B**) facilitate cable entry for two or four round pre-assembled cables without problem, e.g. entry into or feed-through at a control cabinet. The grommet is made of thermoplastic rubber.



### DUMMY GROMMET

With the BTK/X dummy grommets (for slots Type **A**), BTG/X (for slots Type **B**) and BTG/XL (for slots Type **C**) unused openings can be tightly sealed.



### ASI CABLE GROMMET

The KDT/X ASI medium ASI cable grommet (for slots of Type **B**) can easily accommodate ASI bus cables, e.g. entry into or feed-through at control cabinets. One or two-cables per grommet versions are available. The grommet is made of thermoplastic rubber.



### USB / LAN CABLE GROMMET

The USB cable grommet KDT/X-USB (for slots of Type **B**) facilitates the routing of KDL/C or KDL/D. There are two versions available, including 1 m or 3 m USB cables.

The LAN cable grommet KDT/X-LAN (for slots Type **C**) facilitates the routing of KDL/C oder KDL/D.

Both grommets are made of thermoplastic rubber.



### ADAPTER GROMMET





The ATG/X adapter grommet (for slots of Type **B**) facilitates the installation of a small grommet into a slot for medium grommets. The ATG/XL adapter grommet (for slots of Type **C**) facilitates the installation of a medium grommet into a slot for large grommets.



## Selection table KDL/C and KDL/D 16/x for cables with plugs

### POSSIBLE COMBINATIONS OF CABLE ENTRY SYSTEMS AND GROMMETS

KDL/C 16 and KDL/D 16 cable entry systems have the identical grommet block, equipped with large, medium and small grommets for a variety of uses. The three-compartment frame clearly gives the KDL/D the better mechanical stability and a higher degree of tightness.

<b>X</b> Number of grommets <b>X</b> Suitable grommets	<b>A</b> Small grommets 2 – 12 mm	<b>B</b> Medium grommets 12 – 22 mm	<b>C</b> Large grommets 22 – 30 mm
 <p><b>KDL/D 16/2</b> KDL/D: 87141033</p>			<p>Number of grommets: 2</p> <p>KDT/X cable grommet</p> <p>Dummy grommet BTG/XL</p> <p>Adapter grommet ATG/XL</p>
 <p><b>KDL/C/D 16/3</b> KDL/C: 87141036 / KDL/D: 87141034</p>			<p>Number of grommets: 3</p> <p>KDT/X cable grommet</p> <p>KDT/X 2x/4x multi-line grommet</p> <p>BTG/X dummy grommet</p> <p>KDT/X ASI, ASI cable grommet</p> <p>KDT/X USB, USB cable grommet</p> <p>ATG/X adapter grommet</p>
 <p><b>KDL/C/D 16/7</b> KDL/C: 87141032 / KDL/D: 87141030</p>	<p>Number of grommets: 6</p> <p>KDT/X cable grommet</p> <p>KDT/X 2x/4x multi-line grommet</p> <p>BTK/X dummy grommet</p>	<p>Number of grommets: 1</p> <p>KDT/X cable grommet</p> <p>KDT/X 2x/4x multi-line grommet</p> <p>BTG/X dummy grommet</p> <p>KDT/X ASI, ASI cable grommet</p> <p>KDT/X USB, USB cable grommet</p> <p>ATG/X adapter grommet</p>	
 <p><b>KDL/C/D 16/8</b> KDL/C: 87141028 / KDL/D: 87141026</p>	<p>Number of grommets: 8</p> <p>KDT/X cable grommet</p> <p>KDT/X 2x/4x multi-line grommet</p> <p>BTK/X dummy grommet</p>		



## Selection table KDL/C and KDL/D 10/x for cables with plugs

### POSSIBLE COMBINATIONS OF CABLE ENTRY SYSTEMS AND GROMMETS

KDL/C 10 and KDL/D 10 cable entry systems have the identical grommet block, equipped with medium and small grommets for a variety of uses. The three-compartment frame clearly gives the KDL/D the better mechanical stability and a higher degree of tightness.

**X** Number of grommets  
**X** Suitable grommets

**A** Small grommets 2–12 mm

**B** Medium grommets 12–22 mm



Number of grommets: 2
KDT/X cable grommet
KDT/X 2x/4x multi-line grommet
BTG/X dummy grommet
KDT/X ASI, ASI cable grommet
KDT/X USB, USB cable grommet
ATG/X adapter grommet



Number of grommets: 4
KDT/X cable grommet
KDT/X 2x/4x multi-line grommet
BTK/X dummy grommet

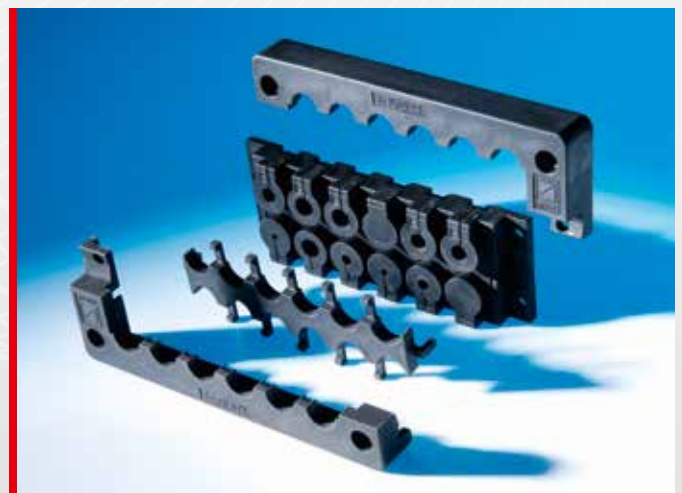
Number of grommets: 1
KDT/X cable grommet
KDT/X 2x/4x multi-line grommet
BTG/X dummy grommet
KDT/X ASI, ASI cable grommet
KDT/X USB, USB cable grommet
ATG/X adapter grommet



Number of grommets: 6
KDT/X cable grommet
KDT/X 2x/4x multi-line grommet
BTK/X dummy grommet



KDL/C: Two-piece frame plus grommet block



KDL/D: Three-piece frame plus grommet block



## Selection table KDL/C and KDL/D 6/x, 1/x and KDL/D-R M50/x

### POSSIBLE COMBINATIONS OF CABLE ENTRY SYSTEMS AND GROMMETS

KDL/C 6 and KDL/D 6 cable entry systems have the identical grommet block, that can be equipped with small grommets for a variety of uses. The three-compartment frame clearly gives the KDL/D the better mechanical stability and a higher degree of tightness. The KDL/D-R M50/4 is designed for installation into 50 mm Ø circular cut-outs.

- X** Number of grommets
- X** Suitable grommets

**A** Small grommets 2–12 mm

**B** Medium grommets 12–22 mm



- Number of grommets: 4
- KDT/X cable grommet
- KDT/X 2x/4x multi-line grommet
- BTK/X dummy grommet



- Number of grommets: 6
- KDT/X cable grommet
- KDT/X 2x/4x multi-line grommet
- BTK/X dummy grommet



- Number of grommets: 4
- KDT/X cable grommet
- KDT/X 2x/4x multi-line grommet
- BTK/X dummy grommet



KDL/D 6/4: Three-piece frame, grommet block and grommets



KDL/D 6/4 and KDL/D 1/6 (grommet block) and their applications



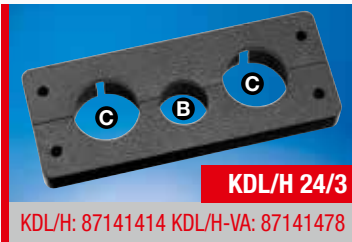


# Selection table KDL/H 24/x and KDL/H-VA 24/x for cables with plugs

## POSSIBLE COMBINATIONS OF CABLE ENTRY SYSTEMS AND GROMMETS

The cable entry system KDL/H is made of zinc die-cast or milled aluminium, the KDL/H-VA of milled stainless steel. They facilitate the entry, sealing off and strain-relief of pre-assembled cables and conduits, e.g. in control cabinets and terminal boxes. Both variants of the KDL/H can be equipped with large, medium and small grommets for a wide variety of applications. Multi-line cable entry grommets increase the capacity. It distinguishes itself through its especially strong construction and high degree of tightness, all the way to IP 69K.

<b>X</b> Number of grommets	<b>A</b> Small grommets 2 – 12 mm	<b>B</b> Medium grommets 12 – 22 mm	<b>C</b> Large grommets 22 – 30 mm
<b>X</b> Suitable grommets			



<b>Number of grommets: 1</b>	<b>Number of grommets: 2</b>
KDT/X cable grommet	KDT/X cable grommet
KDT/X 2x/4x multi-line grommet	Dummy grommet BTG/XL
BTG/X dummy grommet	Adapter grommet ATG/XL
KDT/X ASI, ASI cable grommet	
KDT/X USB, USB cable grommet	
ATG/X adapter grommet	



<b>Number of grommets: 4</b>
KDT/X cable grommet
KDT/X 2x/4x multi-line grommet
BTG/X dummy grommet
KDT/X ASI, ASI cable grommet
KDT/X USB, USB cable grommet
ATG/X adapter grommet



<b>Number of grommets: 12</b>
KDT/X cable grommet
KDT/X 2x/4x multi-line grommet
BTK/X dummy grommet



KDL/H 24/12 in application



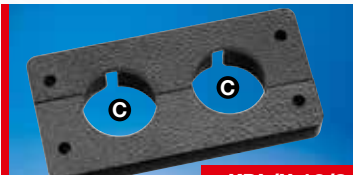
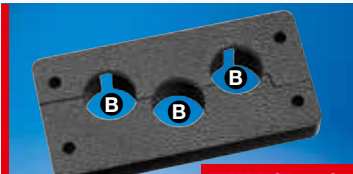
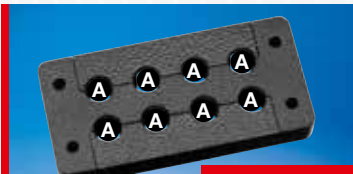

KDL/H-VA 24/4 in application



## Selection table KDL/H 16/x, KDL/H-VA 16/x and special sizes

### POSSIBLE COMBINATIONS OF CABLE ENTRY SYSTEMS AND GROMMETS

The cable entry system KDL/H is made of zinc die-cast or milled aluminium, the KDL/H-VA of milled stainless steel. They facilitate the entry, sealing off and strain-relief of pre-assembled cables and conduits, e.g. in control cabinets and terminal boxes. Both variants of the KDL/H can be equipped with large, medium and small grommets for a wide variety of applications. Multi-line cable entry grommets increase the capacity. It distinguishes itself through its especially strong construction and high degree of tightness, all the way to IP 69K.

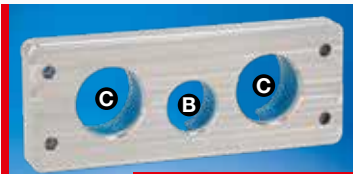
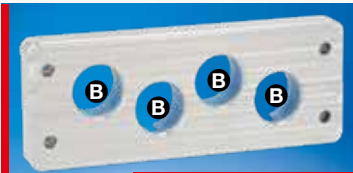

<b>X</b> Number of grommets <b>X</b> Suitable grommets	<b>A</b> Small grommets 2 – 12 mm	<b>B</b> Medium grommets 12 – 22 mm	<b>C</b> Large grommets 22 – 30 mm
 <p><b>KDL/H 16/2</b> KDL/H: 87141420 KDL/H-VA: 87141472</p>			<p>Number of grommets: 2</p> <p>KDT/X cable grommet</p> <p>Dummy grommet BTG/XL</p> <p>Adapter grommet ATG/XL</p>
 <p><b>KDL/H 16/3</b> KDL/H: 87141416 KDL/H-VA: 87141474</p>		<p>Number of grommets: 3</p> <p>KDT/X cable grommet</p> <p>KDT/X 2x/4x multi-line grommet</p> <p>BTG/X dummy grommet</p> <p>KDT/X ASI, ASI cable grommet</p> <p>KDT/X USB, USB cable grommet</p> <p>ATG/X adapter grommet</p>	
 <p><b>KDL/H 16/8</b> KDL/H: 87141418 KDL/H-VA: 87141476</p>	<p>Number of grommets: 8</p> <p>KDT/X cable grommet</p> <p>KDT/X 2x/4x multi-line grommet</p> <p>BTK/X dummy grommet</p>		
 <p><b>KDL/H 1/6</b> KDL/H: 87141422 KDL/H-VA: 87141470</p>	<p>Number of grommets: 6</p> <p>KDT/X cable grommet</p> <p>KDT/X 2x/4x multi-line grommet</p> <p>BTK/X dummy grommet</p>		
 <p><b>KDL/H M50/4</b> KDL/H: 87141424</p>	<p>Number of grommets: 4</p> <p>KDT/X cable grommet</p> <p>KDT/X 2x/4x multi-line grommet</p> <p>BTK/X dummy grommet</p>		









## Selection table KDL/H-VA FDA 24/x for cables with plugs

### POSSIBLE COMBINATIONS OF CABLE ENTRY SYSTEMS AND GROMMETS

The KDL/H-VA FDA is the first splittable cable entry system for the pharmaceutical and food industry. Both the frame made of stainless steel and the grommet holder and grommets made of TPE comply with FDA regulations. It facilitates the entry, sealing off and strain-relief of pre-assembled cables and conduits, e.g. in control cabinets and terminal boxes. The KDL/H-VA FDA can be equipped with large, medium and small grommets for a wide variety of applications. It distinguishes itself through its especially strong construction and high degree of tightness, all the way to IP 66/67.

<b>X</b> Number of grommets <b>X</b> Suitable grommets	<b>A</b> Small grommets 2 – 12 mm	<b>B</b> Medium grommets 12 – 22 mm	<b>C</b> Large grommets 22 – 30 mm
 <p><b>KDL/H-VA FDA 24/3</b> Order number: 87141878</p>		Number of grommets: 1 KDT/X-FDA cable grommet BTG/X-FDA dummy grommet	Number of grommets: 2 KDT/X-FDA cable grommet BTG/XL-FDA dummy grommet
 <p><b>KDL/H-VA FDA 24/4</b> Order number: 87141880</p>		Number of grommets: 4 KDT/X-FDA cable grommet BTG/X-FDA dummy grommet	
 <p><b>KDL/H-VA FDA 24/12</b> Order number: 87141882</p>		Number of grommets: 12 KDT/X-FDA cable grommet BTK/X-FDA dummy grommet	

### Fitting grommets for all variants of KDL/H-VA FDA

<b>A</b> Small grommets	<b>B</b> Medium grommets	<b>C</b> Large grommets
 <p>KDT/X-FDA</p>	 <p>KDT/X-FDA</p>	 <p>KDT/X-FDA</p>
 <p>BTK/X-FDA</p>	 <p>BTG/X-FDA</p>	 <p>BTG/XL-FDA</p>

#### CABLE GROMMET FOR ROUND CABLES

For example, the KDT/X-FDA cable entry grommets are perfect for cable entries or feed-through of round, pre-assembled cables at control cabinets. The small version covers cable diameters of between 2 to 12 mm, the medium covers between 12 to 22 mm and the large covers between 22 to 30 mm. The lengthwise slotted grommet, made of thermoplastic natural rubber is placed around the cable and pushed into the grommet block.

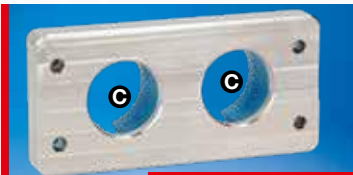



#### DUMMY GROMMET

With the BTK/X-FDA (for slots Type **A**), BTG/X-FDA (for slots Type **B**) and BTG/XL-FDA (for slots Type **C**) unused openings can be tightly sealed off.

## Selection table KDL/H-VA FDA 16/x for cables with plugs and special sizes

### POSSIBLE COMBINATIONS OF CABLE ENTRY SYSTEMS AND GROMMETS

The KDL/H-VA FDA is the first splittable cable entry system for the pharmaceutical and food industry. Both the frame made of stainless steel and the grommet holder and grommets made of TPE comply with FDA regulations. It facilitates the entry, sealing off and strain-relief of pre-assembled cables and conduits, e.g. in control cabinets and terminal boxes. The KDL/H-VA FDA can be equipped with large, medium and small grommets for a wide variety of applications. It distinguishes itself through its especially strong construction and high degree of tightness, all the way to IP 66/67.

<b>X</b> Number of grommets <b>X</b> Suitable grommets	<b>A</b> Small grommets 2 – 12 mm	<b>B</b> Medium grommets 12 – 22 mm	<b>C</b> Large grommets 22 – 24 mm
 <p><b>KDL/H-VA FDA 16/2</b> Order number: 87141875</p>			<p>Number of grommets: 2</p> <p>KDT/X-FDA cable grommet</p> <p>BTG/XL-FDA dummy grommet</p>
 <p><b>KDL/H-VA FDA 16/3</b> Order number: 87141874</p>		<p>Number of grommets: 3</p> <p>KDT/X-FDA cable grommet</p> <p>BTG/X-FDA dummy grommet</p>	
 <p><b>KDL/H-VA FDA 16/8</b> Order number: 87141877</p>	<p>Number of grommets: 8</p> <p>KDT/X-FDA cable grommet</p> <p>BTK/X-FDA dummy grommet</p>		
 <p><b>KDL/H-VA FDA 1/6</b> Order number: 87141870</p>	<p>Number of grommets: 6</p> <p>KDT/X-FDA cable grommet</p> <p>BTK/X-FDA dummy grommet</p>		



KDL/H-VA FDA 24/4 in application



## Selection table KDL/E 16/xx for cables with plugs

### POSSIBLE COMBINATIONS OF CABLE ENTRY SYSTEMS AND GROMMETS

The frames of the cable entry system KDL/E 16 can be equipped with large and/or small grommets.

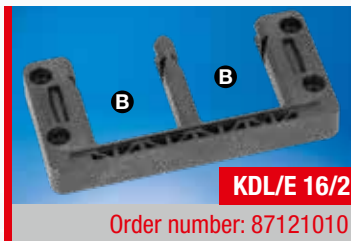
Small grommets (marked with **A** in the picture) can be used for the installation of cables with diameters of 3 – 16 mm.

Large grommets (marked with **B** in the picture) can be used for the installation of cables with diameters of 16 – 31 mm.

- X** Number of grommets
- X** Suitable grommets

**A** Small grommets 3–16 mm

**B** Large grommets 16–31 mm

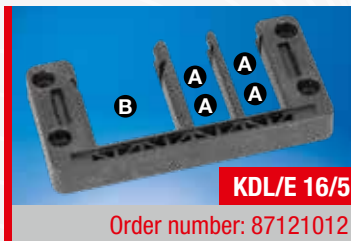


Number of grommets: 2
KDT/ZE cable grommet
SDT/ZE conduit grommet
ATG/E adapter grommet
BTK/E dummy grommet



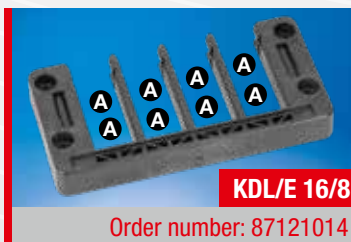
Number of grommets: 4
KDT/ZE cable grommet
KDT/VE cable vario grommet
KDT/ZE ASI, ASI cable grommet
KDT/X 2x/4x multi-line grommet
SDT/ZE conduit grommet
BTK/E dummy grommet

Number of grommets: 0
-----------------------



Number of grommets: 4
KDT/ZE cable grommet
KDT/VE cable vario grommet
KDT/ZE ASI, ASI cable grommet
KDT/X 2x/4x multi-line grommet
SDT/ZE conduit grommet
BTK/E dummy grommet

Number of grommets: 1
KDT/ZE cable grommet
SDT/ZE conduit grommet
ATG/E adapter grommet
BTK/E dummy grommet



Number of grommets: 8
KDT/ZE cable grommet
KDT/VE cable vario grommet
KDT/ZE ASI, ASI cable grommet
KDT/X 2x/4x multi-line grommet
SDT/ZE conduit grommet
BTK/E dummy grommet

--



## Grommets to fit KDL/E 16/xx

**A**

Small grommets

**B**

Large grommets



KDT/ZE



KDT/ZE

### CABLE GROMMET FOR ROUND CABLES

For example, the KDT/ZE cable entry grommets are perfect for cable entries or feed-through of round, pre-assembled cables at control cabinets. The small design covers cable diameters of between 3 to 16 mm, the large design is for 16 to 31 mm versions. The grommet, made of thermoplastic rubber is 2-pce. and is positioned around the cable. Strain relief can be achieved by installing cable ties.



KDT/VE

### VARIABLE CABLE GROMMET (PROTECTION CLASS IP 42)

The KDT/VE small type, variable cable grommet (for slots of Type **A**) can easily accommodate round, pre-configured cables, e.g. for entry into or feed-through at control cabinets. Two different diameter ranges can be serviced: Cable diameters from 3 to 7 mm and from 7 to 10 mm. The grommet, made of thermoplastic rubber is slotted and is positioned around the cables.



KDT/ZE ASI

### ASI CABLE GROMMET

The KDT/ZE ASI small ASI cable grommet (for slots of Type **A**) can easily accommodate ASI bus cables, e.g. for entry into or feed-through at control cabinets. One or two-cables per grommet versions are available. The grommet, made of thermoplastic rubber, is 2-pce. and will be positioned around the cable. Strain relief can be achieved by installing cable ties.



KDT/ZE 2 x / 4 x

### MULTI-LINE CABLE ENTRY GROMMET

The KDT/ZE 2 x / 4 x multi-line cable entry grommets in their small version (for slots of Type **A**) facilitate easy cable entry for several round, pre-assembled cables, e.g. entry into or feed-through at a control cabinet. Two- or four-cables per grommet versions are available. The grommet, made of thermoplastic rubber is either slotted, or 2-pce. and will be positioned around the cable. Strain relief can be achieved by installing cable ties.



SDT/ZE



SDT/ZE

### CONDUIT GROMMET FOR MURRFLEX CABLE PROTECTION CONDUITS

For example, the SDT/ZE conduit grommets are perfect for Murrplastik cable protection conduit infeed or feed-through at control cabinets. The smaller versions accommodate tube sizes M10/ P7 to M16/P11, the large versions are for M20/P16 and M25/P21. The grommet, made of thermoplastic rubber is 2-pce. and will be positioned around the conduits. Strain relief can be achieved by installing cable ties.



BTK/E **A** BTG/E **B**

### DUMMY GROMMET

With the BTK/E dummy grommets (for slots of Type **A**) and BTG/E (for slots of Type **B**) unused openings can be tightly sealed.



ATG/E **B**

### ADAPTER GROMMET

The ATG/E adapter grommet (for slots of Type **B**) facilitates the installation of a small grommet into a slot for large grommets.



## Selection table KDL/E 24/xx for cables with plugs

### POSSIBLE COMBINATIONS OF CABLE ENTRY SYSTEMS AND GROMMETS

The frames of the cable entry system KDL/E 24 can be equipped with large and/or small grommets.

Small grommets (marked with **A** in the picture) can be used for the installation of cables with diameters of 3 – 16 mm.

Large grommets (marked with **B** in the picture) can be used for the installation of cables with diameters of 16 – 31 mm.

**X** Number of grommets  
**X** Suitable grommets

**A** Small grommets 3–16 mm

**B** Large grommets 16–31 mm



Number of grommets: 2
KDT/ZE cable grommet
KDT/VE cable vario grommet
KDT/ZE 2 x ASI cable grommet
KDT/X 2x/4x multi-line grommet
SDT/ZE conduit grommet
BTK/E dummy grommet

Number of grommets: 2
KDT/ZE cable grommet
SDT/ZE conduit grommet
ATG/E adapter grommet
BTG/E dummy grommet



Number of grommets: 6
KDT/ZE cable grommet
KDT/VE cable vario grommet
KDT/ZE 2 x ASI cable grommet
KDT/X 2x/4x multi-line grommet
SDT/ZE conduit grommet
BTK/E dummy grommet

Number of grommets: 1
KDT/ZE cable grommet
SDT/ZE conduit grommet
ATG/E adapter grommet
BTG/E dummy grommet



Number of grommets: 10
KDT/ZE cable grommet
KDT/VE cable vario grommet
KDT/ZE 2 x ASI cable grommet
KDT/X 2x/4x multi-line grommet
SDT/ZE conduit grommet
BTK/E dummy grommet

Number of grommets: 0
-----------------------



KDL/E 24 for cables with plugs in applications

## Grommets to fit KDL/E 24/xx

**A**

Small grommets

**B**

Large grommets



KDT/ZE



KDT/ZE

### CABLE GROMMET FOR ROUND CABLES

For example, the KDT/ZE cable entry grommets are perfect for cable entries or feed-through of round, pre-assembled cables at control cabinets. The small design covers cable diameters of between 3 to 16 mm, the large design is for 16 to 31 mm versions. The grommet, made of thermoplastic rubber is 2-pce. and is positioned around the cable. Strain relief can be achieved by installing cable ties.



KDT/VE

### VARIABLE CABLE GROMMET (PROTECTION CLASS IP 42)

The KDT/VE small type, variable cable grommet (for slots of Type **A**) can easily accommodate round, pre-configured cables, e.g. for entry into or feed-through at control cabinets. Two different diameter ranges can be serviced: Cable diameters from 3 to 7 mm and from 7 to 10 mm. The grommet, made of thermoplastic rubber is slotted and is positioned around the cables.



KDT/ZE ASI

### ASI CABLE GROMMET

The KDT/ZE ASI small ASI cable grommet (for slots of Type **A**) can easily accommodate ASI bus cables, e.g. for entry into or feed-through at control cabinets. One or two-cables per grommet versions are available. The grommet, made of thermoplastic rubber, is 2-pce. and will be positioned around the cable. Strain relief can be achieved by installing cable ties.



KDT/ZE 2 x / 4 x

### MULTI-LINE CABLE ENTRY GROMMET

The KDT/ZE 2 x / 4 x multi-line cable entry grommets in their small version (for slots of Type **A**) facilitate easy cable entry for several round, pre-assembled cables, e.g. entry into or feed-through at a control cabinet. Two- or four-cables per grommet versions are available. The grommet, made of thermoplastic rubber is either slotted, or 2-pce. and will be positioned around the cable. Strain relief can be achieved by installing cable ties.



SDT/ZE



SDT/ZE

### CONDUIT GROMMET FOR MURRFLEX CABLE PROTECTION CONDUITS

For example, the SDT/ZE conduit grommets are perfect for Murrplastik cable protection conduit infeed or feed-through at control cabinets. The smaller versions accommodate tube sizes M10/ P7 to M16/P11, the large versions are for M20/P16 and M25/P21. The grommet, made of thermoplastic rubber is 2-pce. and will be positioned around the conduits. Strain relief can be achieved by installing cable ties.



BTK/E **A** BTG/E **B**

### DUMMY GROMMET

With the BTK/E dummy grommets (for slots of Type **A**) and BTG/E (for slots of Type **B**) unused openings can be tightly sealed.



ATG/E **B**

### ADAPTER GROMMET

The ATG/E adapter grommet (for slots of Type **B**) facilitates the installation of a small grommet into a slot for large grommets.



## Selection table KDL - Jumbo for cables with plugs

### POSSIBLE COMBINATIONS OF CABLE ENTRY SYSTEMS AND GROMMETS

The KDL-Jumbo cable entry system is used for inserting pre-assembled cables. The KDL-Jumbo system is a fully splittable system that enables the quick and simple installation of 1 or 2 pre-assembled cables with a diameter of between 30 and 65 mm in control cabinets and terminal boxes.

- X Number of grommets
- X Suitable grommets

#### **A** Splittable grommets for clamping range 30–65 mm.



Number of grommets: 1
KDT/Z-Jumbo cable grommet
BT-Jumbo dummy grommet



Number of grommets: 2
KDT/Z-Jumbo cable grommet
BT-Jumbo dummy grommet



KDL-Jumbo 1 and KDL-Jumbo 2 and their applications



## Grommets to fit KDL-Jumbo

**A**

### Jumbo grommets



#### CABLE GROMMET FOR ROUND CABLES

For example, the KDT/Z-Jumbo cable entry grommets are perfect for cable entries or feed-through of round, pre-assembled cables with large cable diameters at control cabinets.  
 Cable diameters of 30 to 65 mm are accommodated in 5 mm increments.  
 The grommet, made of thermoplastic rubber is 2-pce. and is positioned around the cable.  
 Strain relief can be achieved by installing cable ties.



#### DUMMY GROMMET







The BT-Jumbo dummy grommets (for slots of Type **A**) facilitate the tight sealing of unused openings.



## Selection table KDP/N 24 for cables without plugs






**X** Number of openings

**X** Clamping area in mm

	1.5	2.0	2.5	3.0	3.5	4.0	4.5	5.0	5.5	6.0	6.5	7.0	8.0	9.0	10.0	11.0	12.0	13.0	14.0	15.0	16.0	18.0	20.0	
 <p><b>KDP/N 24/10</b> Order number: 87301108</p>				2 3.0 – 6.5 mm				1 5.0 – 9.2 mm						5 9 – 14 mm					2 14 – 20 mm					
 <p><b>KDP/N 24/11</b> Order number: 87301110</p>				4 3.0 – 6.5 mm				4 5.0 – 9.2 mm											3 14 – 20 mm					
 <p><b>KDP/N 24/12</b> Order number: 87301120</p>															12 8 – 12 mm									
 <p><b>KDP/N 24/13</b> Order number: 87301130</p>				2 3.0 – 5.5 mm				6 4.1 – 8.1 mm						4 9 – 14 mm					1 14 – 20 mm					
 <p><b>KDP/N 24/14</b> Order number: 87301140</p>				6 3.0 – 6.5 mm				4 5.0 – 9.2 mm						4 9.6 – 15.9 mm										
 <p><b>KDP/N 24/17</b> Order number: 87301150</p>								17 5.0 – 9.2 mm																

## Selection table KDP/N 24 for cables without plugs

**X** Number of openings  
**X** Clamping area in mm

	1.5	2.0	2.5	3.0	3.5	4.0	4.5	5.0	5.5	6.0	6.5	7.0	8.0	9.0	10.0	11.0	12.0	13.0	14.0	15.0	16.0	18.0	20.0		
 <p><b>KDP/N 24/17-1</b> Order number: 87301151</p>				11	3.0 – 6.5 mm			1	4.1 – 8.1 mm			5	8.0 – 12.5 mm												
 <p><b>KDP/N 24/22</b> Order number: 87301160</p>				16	3.0 – 6.5 mm			4	5.0 – 9.2 mm			2	8.0 – 12.5 mm												
 <p><b>KDP/N 24/23</b> Order number: 87301170</p>							23	4.1 – 8.1 mm																	
 <p><b>KDP/N 24/29</b> Order number: 87301180</p>				29	3.0 – 6.5 mm																				
 <p><b>KDP/N 24/80</b> Order number: 87301190</p>			1.5–2.6	78																					
			2	2.5 – 5.0 mm																					



## Selection table KDP/X 24 for cables without plugs



- X Number of openings
- X Clamping area in mm

	2.0	2.5	3.0	3.5	4.0	4.5	5.0	5.5	6.0	6.5	7.0	8.0	9.0	10.0	11.0	12.0	13.0	14.0	15.0	16.0	18.0	20.0	22.0	
 <p><b>KDP/X 24/10</b> Order number: 87301305</p>			2 3.0 – 6.5 mm				1 5.0 – 9.2 mm						5 9 – 14 mm					2 14 – 20 mm						
 <p><b>KDP/X 24/11</b> Order number: 87301315</p>			4 3.0 – 6.5 mm				4 5.0 – 9.2 mm												3 14 – 20 mm					
 <p><b>KDP/X 24/12</b> Order number: 87301325</p>													12 8 – 12 mm											
 <p><b>KDP/X 24/13</b> Order number: 87301335</p>			2 3.0 – 5.5 mm					6 4.1 – 8.1 mm					4 9 – 14 mm						1 14 – 20 mm					
 <p><b>KDP/X 24/14</b> Order number: 87301345</p>			6 3.0 – 6.5 mm				4 5.0 – 9.2 mm							4 9.6 – 15.9 mm										
 <p><b>KDP/X 24/17</b> Order number: 87301355</p>																								17 5.0 – 9.2 mm



## Selection table KDP/X 24 for cables without plugs

**X** Number of openings  
**X** Clamping area in mm

	2.0	2.5	3.0	3.5	4.0	4.5	5.0	5.5	6.0	6.5	7.0	8.0	9.0	10.0	11.0	12.0	13.0	14.0	15.0	16.0	18.0	20.0	22.0	
 <p><b>KDP/X 24/17-1</b> Order number: 87301356</p>			11 3.0 – 6.5 mm		1 4.1 – 8.1 mm							5 8.0 – 12.5 mm												
			16 3.0 – 6.5 mm			4 5.0 – 9.2 mm							2 8.0 – 12.5 mm											
					23 4.1 – 8.1 mm																			
 <p><b>KDP/X 24/29</b> Order number: 87301385</p>			29 3.0 – 6.5 mm																					






## Selection table KDP/E 24 for cables without plugs

- X Number of openings
- X Clamping area in mm

	2.0	2.5	3.0	3.5	4.0	4.5	5.0	5.5	6.0	6.5	7.0	8.0	9.0	10.0	11.0	12.0	13.0	14.0	15.0	16.0	18.0	20.0	22.0		
 <p><b>KDP/E 24/11</b> Order number: 87301310</p>			4 3.0 – 6.5 mm				4 5.0 – 9.2 mm											3 14 – 20 mm							
 <p><b>KDP/E 24/12</b> Order number: 87301320</p>												12 8 – 12 mm													
 <p><b>KDP/E 24/13</b> Order number: 87301330</p>			2 3.0 – 5.5 mm		6 4.1 – 8.1 mm								4 9 – 14 mm					1 14 – 20 mm							
 <p><b>KDP/E 24/14</b> Order number: 87301340</p>			6 3.0 – 6.5 mm				4 5.0 – 9.2 mm							4 9.6 – 15.9 mm											
 <p><b>KDP/E 24/17</b> Order number: 87301350</p>																									
 <p><b>KDP/E 24/17-1</b> Order number: 87301351</p>			11 3.0 – 6.5 mm		1 4.1 – 8.1 mm																				

## Selection table KDP/E 24 for cables without plugs







- X Number of openings
- X Clamping area in mm

	2.0	2.5	3.0	3.5	4.0	4.5	5.0	5.5	6.0	6.5	7.0	8.0	9.0	10.0	11.0	12.0	13.0	14.0	15.0	16.0	18.0	20.0	22.0	
 <p><b>KDP/E 24/22</b> Order number: 87301360</p>			<span style="background-color: yellow; border: 1px solid black; padding: 0 2px;">16</span> 3.0 – 6.5 mm																					
							<span style="background-color: yellow; border: 1px solid black; padding: 0 2px;">4</span> 5.0 – 9.2 mm																	
												<span style="background-color: yellow; border: 1px solid black; padding: 0 2px;">2</span> 8.0 – 12.5 mm												
 <p><b>KDP/E 24/23</b> Order number: 87301370</p>																								
				<span style="background-color: yellow; border: 1px solid black; padding: 0 2px;">23</span> 4.1 – 8.1 mm																				
 <p><b>KDP/E 24/29</b> Order number: 87301380</p>																								
			<span style="background-color: yellow; border: 1px solid black; padding: 0 2px;">29</span> 3.0 – 6.5 mm																					



## Selection table KDP 24/xx/02 for cables with or without plugs






- X Number of openings
- X Clamping area in mm

	1.0	1.5	2.0	2.5	3.0	3.5	4.0	4.5	5.0	5.5	6.0	6.5	7.0	7.5	8.0	8.5	9.0	9.5	10.0	10.5	11.0	12.0	13.0		
 <p><b>KDP 24/10/02</b> Order number: 87301076</p>				4	3.0 – 6.5 mm			2	4.5 – 8.5 mm							4	8.0 – 12.5 mm								
A = Slot for small cable entry grommet, see KDL/E 24																									
 <p><b>KDP 24/14/02</b> Order number: 87301078</p>				4	2.5 – 5.0 mm			2	3.0 – 6.5 mm																
A = Slot for small cable entry grommet, see KDL/E 24																									
 <p><b>KDP 24/15/02</b> Order number: 87301080</p>				2	1.5 – 3.5 mm																				
A = Slot for small cable entry grommet, see KDL/E 24																									
 <p><b>KDP 24/17/02</b> Order number: 87301082</p>																									
A = Slot for small cable entry grommet, see KDL/E 24																									
 <p><b>KDP 24/20/02</b> Order number: 87301084</p>																									
A = Slot for small cable entry grommet, see KDL/E 24																									
 <p><b>KDP 24/21/02</b> Order number: 87301086</p>																									
A = Slot for small cable entry grommet, see KDL/E 24																									



## Selection table KDP/F for cables without plugs

- X Number of openings
- X Clamping area in mm






	1.0	1.5	2.0	2.5	3.0	3.5	4.0	4.5	5.0	6.0	7.0	8.0	9.0	10.0	11.0	12.0	13.0	14.0	15.0	16.0	18.0	20.0	30.0	
 <p><b>KDP/F 24-14</b> Order number: 87302010</p>																								
	6	9 mm maximum																						
	4	11 mm maximum																						
 <p><b>KDP/F 24-22</b> Order number: 87302020</p>																								
	16	9 mm maximum																						
	4	11 mm maximum																						
 <p><b>KDP/F 24-28</b> Order number: 87302040</p>																								
	28	9 mm maximum																						
 <p><b>KDP/F 24-46</b> Order number: 87302050</p>																								
	46	6.5 mm maximum																						
 <p><b>KDP/F 24-multi</b> Order number: 87302030</p>																								
	4	Rectangular openings, 27 x 30 mm maximum																						



## Selection table KDP/Z 16 for cables without plugs






X Number of openings

X Clamping area in mm

	1.0	1.5	2.0	2.5	3.0	3.5	4.0	4.5	5.0	6.0	7.0	8.0	9.0	10.0	11.0	12.0	13.0	14.0	15.0	16.0	18.0	20.0	22.0			
 <p><b>KDP/Z 16/10</b> Order number: 87303054</p>											10	7.5 – 12.0 mm														
 <p><b>KDP/Z 16/12</b> Order number: 87303056</p>				2	3.0 – 5.0 mm				4	5.0 – 9.0 mm			2	7.5 – 12.0 mm					2	10.0 – 16.0 mm				2	14.0 – 20.0 mm	
 <p><b>KDP/Z 16/17</b> Order number: 87303058</p>											17	5.0 – 9.0 mm														
 <p><b>KDP/Z 16/24</b> Order number: 87303060</p>					16	3.0 – 6.0 mm				6	5.0 – 9.0 mm			2	7.5 – 12.0 mm											
 <p><b>KDP/Z 16/40</b> Order number: 87303062</p>			20	2.0 – 4.0 mm																						
						20	3.0 – 6.0 mm																			


## Selection table KDP/Z 24 for cables without plugs

**X** Number of openings  
**X** Clamping area in mm

	1.0	1.5	2.0	2.5	3.0	3.5	4.0	4.5	5.0	6.0	7.0	8.0	9.0	10.0	11.0	12.0	13.0	14.0	15.0	16.0	18.0	20.0	22.0	
 <b>KDP/Z 24/14</b> Order number: 87303010												14	7.5 – 12.0 mm											
 <b>KDP/Z 24/14-1</b> Order number: 87302020				2	3.0 – 6.0 mm				4	5.0 – 9.0 mm		3	7.5 – 12.0 mm		3	10.0 – 16.0 mm		2	14.0 – 20.0 mm					
 <b>KDP/Z 24/23</b> Order number: 87303030									23	5.0 – 9.0 mm														
 <b>KDP/Z 24/30</b> Order number: 87303040				20	3.0 – 6.0 mm				6	5.0 – 9.0 mm		4	7.5 – 12.0 mm											
 <b>KDP/Z 24/48</b> Order number: 87303050			20	2.0 – 4.0 mm		28	3.0 – 6.0 mm																	

## Selection table KDP/Z Rittal for cables without plugs







**X** Number of openings  
**X** Clamping area in mm

	1.0	1.5	2.0	2.5	3.0	3.5	4.0	4.5	5.0	6.0	7.0	8.0	9.0	10.0	11.0	12.0	13.0	14.0	15.0	16.0	18.0	20.0	22.0	
 <b>KDP/Z 72/Ri2</b> Order number: 87303095					42	3.0 – 6.5 mm			21	5.0 – 10.5 mm		6	9.0 – 16.5 mm						3	16 – 22 mm				



## Selection table KDP/R for cables without plugs



- X Number of openings
- X Clamping area in mm

	1.0	1.5	2.0	2.5	3.0	3.5	4.0	4.5	5.0	5.5	6.0	6.5	7.0	7.5	8.0	8.5	9.0	9.5	10.0	11.0	12.0	14.0	16.0		
 <p><b>KDP/R M50/4</b> Order number: 87301030</p>											3 6 – 10 mm							1 9.6 – 15.9 mm							
 <p><b>KDP/R M50/6</b> Order number: 87301032</p>				1 3.0 – 5.5 mm								5 5.0 – 9.2 mm													
 <p><b>KDP/R M50/8</b> Order number: 87301034</p>					7 3.5 – 6.5 mm								1 6 – 10 mm												
 <p><b>KDP/R M50/31</b> Order number: 87301038</p>	31 1.5 – 3.1 mm																								
 <p><b>KDP/R M63/8</b> Order number: 87301040</p>												2 3.0 – 6.5 mm													2 9.6 – 15.9 mm
 <p><b>KDP/R M63/13</b> Order number: 87301042</p>						6 3.0 – 5.5 mm							6 3.5 – 6.5 mm												1 6 – 10 mm



## Selection table KDP/R for cables without plugs

- X Number of openings
- X Clamping area in mm

	1.0	1.5	2.0	2.5	3.0	3.5	4.0	4.5	5.0	5.5	6.0	6.5	7.0	7.5	8.0	8.5	9.0	9.5	10.0	11.0	12.0	14.0	16.0	
 <p><b>KDP/R M63/19</b> Order number: 87301044</p>				<span style="border: 1px solid black; padding: 0 2px;">19</span> 3 – 5 mm																				
 <p><b>KDP/R M63/46</b> Order number: 87301048</p>	<span style="border: 1px solid black; padding: 0 2px;">46</span> 1.5 – 3.1 mm																							

## Selection table KDPR/F for cables without plugs





- X Number of openings
- X Clamping area in mm

	1.0	1.5	2.0	2.5	3.0	3.5	4.0	4.5	5.0	5.5	6.0	6.5	7.0	7.5	8.0	8.5	9.0	9.5	10.0	11.0	12.0	14.0	16.0
 <p><b>KDPR/F 40/multi</b> Order number: 87302070</p>	<span style="border: 1px solid black; padding: 0 2px;">2</span> Semi-circular, maximum $\varnothing$ for 13.5 mm cables																						
 <p><b>KDPR/F 40/8</b> Order number: 87302072</p>	<span style="border: 1px solid black; padding: 0 2px;">8</span> 8.5 mm maximum																						



## Selection table KDP/ZR 40 and KDP/ZR 50 for cables without plugs

- X Number of openings
- X Clamping area in mm

	1.0	1.5	2.0	2.5	3.0	3.5	4.0	4.5	5.0	5.5	6.0	6.5	7.0	7.5	8.0	8.5	9.0	9.5	10.0	11.0	12.0	14.0	16.0		
 <p><b>KDP/ZR 40/6</b> Order No.: 87303120 / KG: 87303130</p>			1 2.0 – 4.0 mm		2 3.0 – 6.0 mm				2 5 – 9 mm						1 7.5 – 12 mm										
 <p><b>KDP/ZR 40/7</b> Order No.: 87303122 / KG: 87303132</p>					4 3.0 – 6.0 mm				3 5.0 – 9.0 mm																
 <p><b>KDP/ZR 50/10</b> Order No.: 87303150 / KG: 87303140</p>			2 2.0 – 4.0 mm		3 3.0 – 6.0 mm				3 5.0 – 9.0 mm					1 7.5 – 12 mm							1 10 – 16 mm				
 <p><b>KDP/ZR 50/10-1</b> Order No.: 87303152 / KG: 87303142</p>					3 3.0 – 6.0 mm				7 5.0 – 9.0 mm																






KDP/ZR in three sizes and two thread lengths



KDP/ZR with long and short thread

## Selection table KDP/ZR 63 for cables without plugs







- X Number of openings
- X Clamping area in mm

	2.0	2.5	3.0	3.5	4.0	4.5	5.0	5.5	6.0	6.5	7.0	7.5	8.0	8.5	9.0	9.5	10.0	11.0	12.0	14.0	16.0	18.0	20.0		
 <p><b>KDP/ZR 63/15</b> Order No.: 87303160 / KG: 87303170</p>	2.0 – 4.0 mm		3.0 – 6.0 mm		5 – 9 mm				7.5 – 12 mm				10 – 16 mm		14 – 20 mm										
 <p><b>KDP/ZR 63/18</b> Order No.: 87303162 / KG: 87303172</p>		3.0 – 6.0 mm		5 – 9 mm																					
 <p><b>KDP/ZR 63/30</b> Order No.: 87303164 / KG: 87303174</p>			3.0 – 6.0 mm																						



## Selection table cablequick® KDP metal 90 for cables without plugs

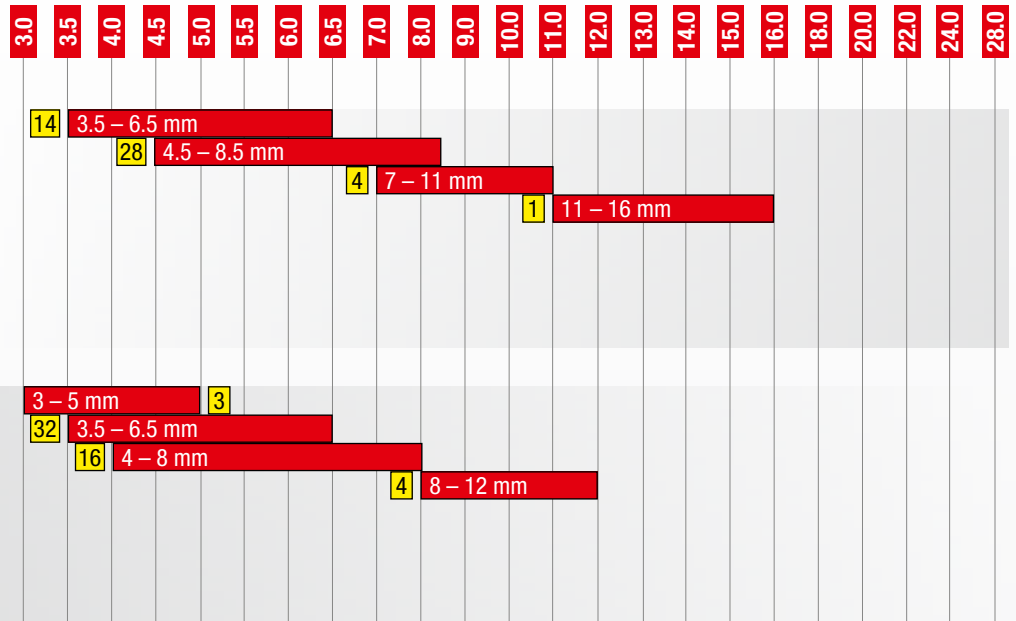
- X Number of openings
- X Clamping area in mm

	3.0	3.5	4.0	4.5	5.0	5.5	6.0	6.5	7.0	8.0	9.0	10.0	11.0	12.0	13.0	14.0	15.0	16.0	18.0	20.0	22.0	24.0	28.0	
 <b>KDP 90/5</b> V4A: upon requ. / ALU: 87663029																		5	16 – 28 mm					
 <b>KDP 90/8</b> V4A: upon requ. / ALU: 87663026																		8	16 – 28 mm					
 <b>KDP 90/13</b> V4A: 87663118 / ALU: upon requ.	3.0 – 6.2 mm			4	4.5 – 8.5 mm			4	6 – 10 mm			2	9 – 14 mm			1	14 – 18 mm							
 <b>KDP 90/25</b> V4A: upon requ. / ALU: 87663022	3 – 5 mm		16	4 – 8 mm				9																
 <b>KDP 90/28</b> V4A: upon requ. / ALU: 87663032	14	4 – 8 mm				10	6 – 10 mm			2	9 – 14 mm			2	12 – 18 mm									
 <b>KDP 90/39+3</b> V4A: 87663038 / ALU: 87663036	3 – 6 mm		12	4 – 8 mm				24	3	8 – 12 mm														



## Selection table cablequick® KDP metal 90 for cables without plugs

- X Number of openings
- X Clamping area in mm











## Selection table cablequick® KDP metal 100 for cables without plugs


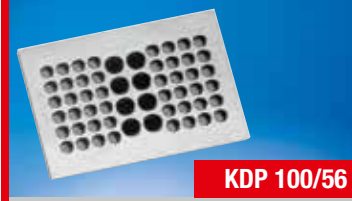


X Number of openings

X Clamping area in mm

	1.0	2.0	3.0	3.5	4.0	4.5	5.0	5.5	6.0	6.5	7.0	8.0	9.0	10.0	11.0	12.0	13.0	14.0	15.0	16.0	18.0	20.0	24.0																						
 <p><b>KDP 100/6</b> V4A: 87663116 / ALU: upon requ.</p>																									6	16 – 24 mm																			
 <p><b>KDP 100/15</b> V4A: 87663120 / ALU: upon requ.</p>																																						3	8 – 12 mm	12	11 – 16 mm				
 <p><b>KDP 100/18</b> V4A: 87663122 / ALU: upon requ.</p>																																						18	8 – 12 mm						
 <p><b>KDP 100/24</b> V4A: 87663124 / ALU: upon requ.</p>																																						24	6.0 – 10.5 mm						
 <p><b>KDP 100/30</b> V4A: 87663062 / ALU: upon requ.</p>																																						12	3.5 – 6.5 mm	12	6 – 10 mm	6	9 – 14 mm		
 <p><b>KDP 100/30B</b> V4A: 87663063 / ALU: upon requ.</p>																																						12	3.5 – 6.5 mm	12	6 – 10 mm	4	9 – 14 mm	2	12 – 18 mm

## Selection table cablequick® KDP metal 100 for cables without plugs


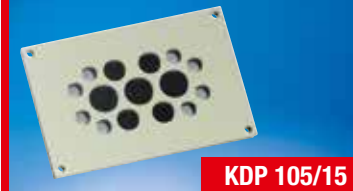

- X Number of openings
- X Clamping area in mm

	1.0	2.0	3.0	3.5	4.0	4.5	5.0	5.5	6.0	6.5	7.0	8.0	9.0	10.0	11.0	12.0	13.0	14.0	15.0	16.0	18.0	20.0	24.0	
 <p><b>KDP 100/40</b> V4A: 87663061 / ALU: upon requ.</p>						40	4.5 – 8.5 mm																	
 <p><b>KDP 100/56</b> V4A: 87663060 / ALU: upon requ.</p>				48	3.5 – 6.5 mm					8	6 – 10 mm													
 <p><b>KDP 100/56B</b> V4A: 87663065 / ALU: upon requ.</p>					1.0 – 3.5 mm	48																		
				8	3.5 – 6.5 mm																			
 <p><b>KDP 100/56C</b> V4A: 87663067 / ALU: upon requ.</p>					1.0 – 3.5 mm	48																		
				4	3.5 – 6.5 mm					4	6 – 10 mm													



## Selection table cablequick® KDP metal 105 for cables without plugs

- X Number of openings
- X Clamping area in mm







	3.0	3.5	4.0	4.5	5.0	5.5	6.0	6.5	7.0	8.0	9.0	10.0	11.0	12.0	13.0	14.0	15.0	16.0	18.0	20.0	22.0	24.0	26.0	
 <p><b>KDP 105/12</b> V4A: 87663057 / ALU: 87663056</p>											9	9 – 14 mm		2	12 – 18 mm			1	18 – 25 mm					
 <p><b>KDP 105/15</b> V4A: 87663016 / ALU: 87663014</p>							8	6 – 10 mm			4	9 – 14 mm		3	12 – 18 mm									
 <p><b>KDP 105/32</b> V4A: 87663012 / ALU: 87663010</p>			3 – 5 mm																					
			12	4 – 8 mm							4	6 – 10 mm												



KDP 105/15 in the control cabinet

## Selection table cablequick® KDP metal 120/134 for cables without plugs

**X** Number of openings  
**X** Clamping area in mm

	3.0	4.0	5.0	6.0	7.0	8.0	9.0	10.0	11.0	12.0	13.0	14.0	15.0	16.0	18.0	20.0	24.0	28.0	32.0	36.0	40.0	44.0	49.0	
 <p><b>KDP 120/2</b>                      V4A: 87663140 / ALU: 87663001</p>															2	18 – 36 mm								
 <p><b>KDP 120/2B</b>                      V4A: 87663141 / ALU: 87663002</p>																				2	36 – 49 mm			
 <p><b>KDP 120/2C</b>                      V4A: 87663142 / ALU: 87663003</p>															1	18 – 36 mm				1	36 – 49 mm			
 <p><b>KDP 120/17</b>                      V4A: 87663143 / ALU: 87663004</p>			6	6 – 10 mm			4	9 – 14 mm		3	12 – 18 mm			4	18 – 25 mm									
 <p><b>KDP 120/35</b>                      V4A: 87663144 / ALU: 87663005</p>		3.5 – 6.5 mm	8		18	6 – 10 mm		7	9.6 – 15.9 mm		2	14 – 20 mm												
 <p><b>KDP 134/34</b>                      V4A: upon requ. / ALU: 87663024</p>		3/5 mm	2		6	4 – 8 mm		15	6 – 10 mm		4	8 – 12 mm		5	9 – 14 mm		2	14 – 20 mm						



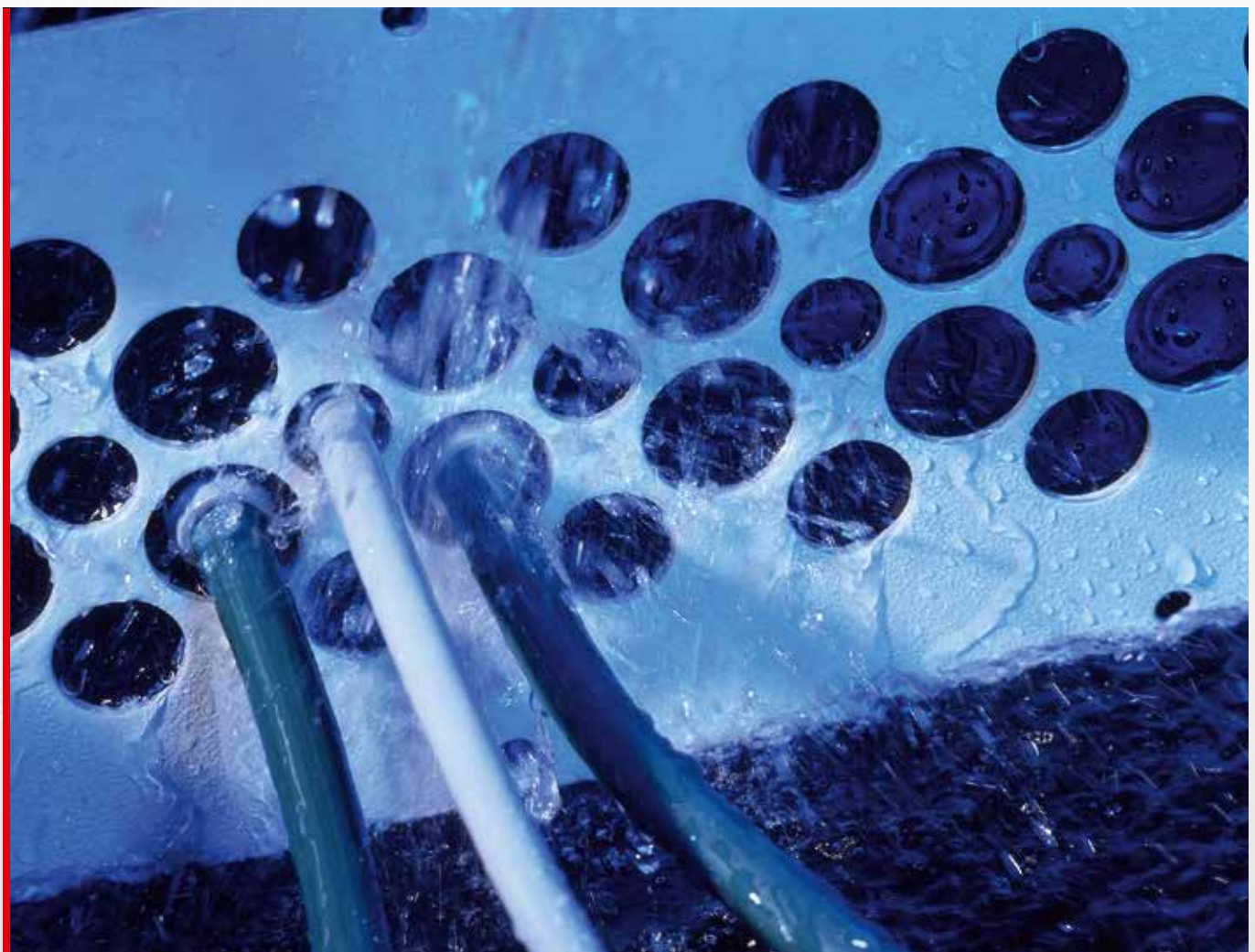


## Selection table cablequick® KDP metal 160 for cables without plugs

- X Number of openings
- X Clamping area in mm



3.5	4.0	4.5	5.0	5.5	6.0	6.5	7.0	8.0	9.0	10.0	11.0	12.0	13.0	14.0	15.0	16.0	18.0	20.0	22.0	24.0	26.0	28.0	
3.5 – 6.5 mm							16																
									10	9.0 – 14.0 mm													
											40	12 – 18 mm											







KDP 149/46: High degree of tightness at IP 65



## Selection table KDM for cables without plugs

- X Number of openings
- X Clamping area in mm

	1.0	3.0	5.0	7.0	9.0	10.0	11.0	12.0	13.0	14.0	15.0	16.0	17.0	18.0	19.0	21.0	23.0	25.0	27.0	29.0	31.0	33.0	35.0		
 <p><b>KDM M16</b> Order number: 87401010</p>	1 – 9 mm Ø max. <span style="background-color: yellow; border: 1px solid black; padding: 0 2px;">1</span>																								
 <p><b>KDM M20</b> Order number: 87401012</p>	1 – 13 mm Ø max. <span style="background-color: yellow; border: 1px solid black; padding: 0 2px;">1</span>																								
 <p><b>KDM M25</b> Order number: 87401014</p>	1 – 18 mm Ø max. <span style="background-color: yellow; border: 1px solid black; padding: 0 2px;">1</span>																								
 <p><b>KDM M32</b> Order number: 87401016</p>	1 – 25 mm Ø max. <span style="background-color: yellow; border: 1px solid black; padding: 0 2px;">1</span>																								







Type KDM cable entry membrane and its applications

## Selection table KDM/F for cables without plugs

**X** Number of openings

**X** Clamping area in mm








	1.0	3.0	5.0	7.0	9.0	10.0	11.0	12.0	13.0	14.0	15.0	16.0	17.0	18.0	19.0	21.0	23.0	25.0	27.0	29.0	31.0	33.0	35.0		
 <p><b>KDM/F M16</b> Order number: 87401050</p>	1 – 9 mm Ø max. <b>1</b>																								
 <p><b>KDM/F M20</b> Order number: 87401052</p>	1 – 13 mm Ø max. <b>1</b>																								
 <p><b>KDM/F M25</b> Order number: 87401054</p>	1 – 18 mm Ø max. <b>1</b>																								
 <p><b>KDM/F M32</b> Order number: 87401056</p>	1 – 25 mm Ø max. <b>1</b>																								





## Selection table KDM for cables without plugs

- X Number of openings
- X Clamping area in mm

	4.0	5.0	6.0	7.0	9.0	10.0	11.0	12.0	13.0	14.0	15.0	16.0	17.0	18.0	19.0	21.0	23.0	25.0	27.0	29.0	31.0	33.0	35.0
 <p><b>KDM/G M12</b> Order number: 87401020</p>	4 - 7 mm Ø max. <span style="background-color: yellow; border: 1px solid black; padding: 2px;">1</span>																						
 <p><b>KDM/G M16</b> Order number: 87401022</p>	<span style="background-color: yellow; border: 1px solid black; padding: 2px;">1</span> 5 - 10 mm Ø max.																						
 <p><b>KDM/G M20</b> Order number: 87401024</p>	<span style="background-color: yellow; border: 1px solid black; padding: 2px;">1</span> 8 - 13 mm Ø max.																						
 <p><b>KDM/G M25</b> Order number: 87401026</p>	<span style="background-color: yellow; border: 1px solid black; padding: 2px;">1</span> 11 - 17 mm Ø max.																						
 <p><b>KDM/G M32</b> Order number: 87401028</p>	<span style="background-color: yellow; border: 1px solid black; padding: 2px;">1</span> 15 - 21 mm Ø max.																						
 <p><b>KDM/G M40</b> Order number: 87401030</p>	<span style="background-color: yellow; border: 1px solid black; padding: 2px;">1</span> 19 - 28 mm Ø max.																						
 <p><b>KDM/G M50</b> Order number: 87401032</p>	<span style="background-color: yellow; border: 1px solid black; padding: 2px;">1</span> 27 - 35 mm Ø max.																						

















## Selection table KDP/EN and KDP/EN-RA 24 railway technology for cables without plugs

- X Number of openings
- X Clamping area in mm

	2.0	2.5	3.0	3.5	4.0	4.5	5.0	5.5	6.0	6.5	7.0	8.0	9.0	10.0	11.0	12.0	13.0	14.0	15.0	16.0	18.0	20.0	22.0		
 <p><b>KDP/EN 24/11</b> EN: 87301210 / EN-RA: 87301215</p>			4 3.0 – 6.5 mm				4 5.0 – 9.2 mm											3 14 – 20 mm							
 <p><b>KDP/EN 24/12</b> EN: 87301220 / EN-RA: 87301225</p>																12 8 – 12 mm									
 <p><b>KDP/EN 24/13</b> EN: 87301230 / EN-RA: 87301235</p>			2 3.0 – 5.5 mm		6 4.1 – 8.1 mm								4 9 – 14 mm					1 14 – 20 mm							
 <p><b>KDP/EN 24/14</b> EN: 87301240 / EN-RA: 87301245</p>			6 3.0 – 6.5 mm				4 5.0 – 9.2 mm																		
 <p><b>KDP/EN 24/17</b> EN: 87301250 / EN-RA: 87301255</p>																									
 <p><b>KDP/EN 24/17-1</b> EN: 87301251 / EN-RA: 87301256</p>			11 3.0 – 6.5 mm		1 4.1 – 8.1 mm																				

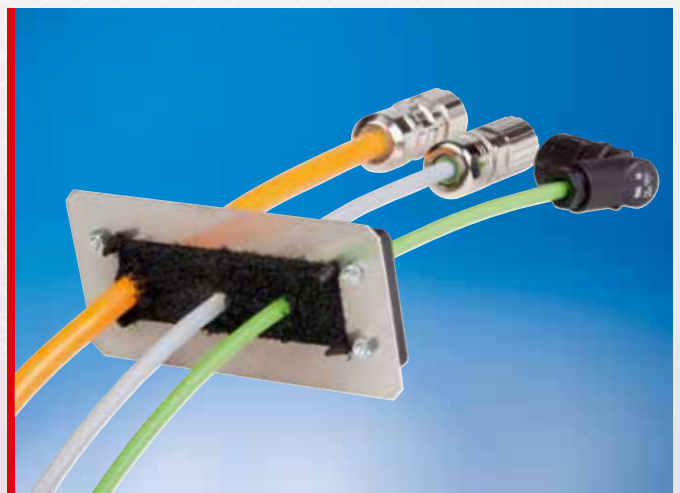
## Selection table KDP/EN and KDP/EN-RA 24 railway technology for cables without plugs

- X Number of openings
- X Clamping area in mm

	2.0	2.5	3.0	3.5	4.0	4.5	5.0	5.5	6.0	6.5	7.0	8.0	9.0	10.0	11.0	12.0	13.0	14.0	15.0	16.0	18.0	20.0	22.0	
 <p><b>KDP/EN 24/22</b> EN: 87301260 / EN-RA: 87301265</p>			16	3.0 – 6.5 mm			4	5.0 – 9.2 mm			2	8.0 – 12.5 mm												
 <p><b>KDP/EN 24/23</b> EN: 87301270 / EN-RA: 87301275</p>				23			4.1 – 8.1 mm																	
 <p><b>KDP/EN 24/29</b> EN: 87301280 / EN-RA: 87301285</p>			29			3.0 – 6.5 mm																		
 <p><b>KDP/EN 24/80</b> EN: 87301290 / EN-RA: 87301295</p>			1.5–2.6	78	2			2.5 – 5.0 mm																



KDP/EN plus room integrity mat results in KDP/EN-RA



Expanded room integrity mat after heat application

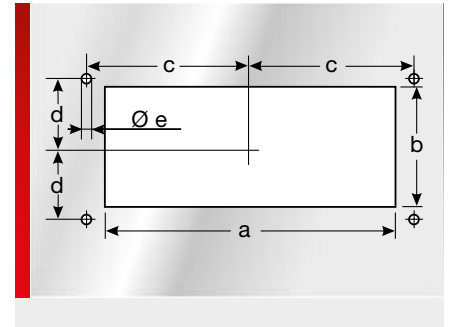
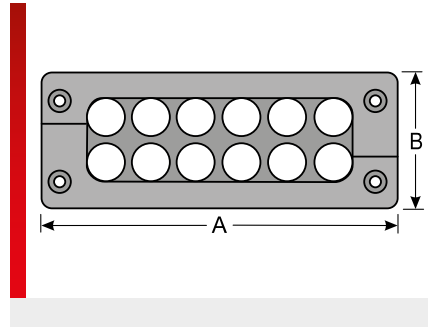




## **KDL/C, KDL/D and KDL/H cable entry systems**



## Type KDL/C cable entry system



### PRODUCT INFORMATION

The KDL/C cable entry system is used for inserting pre-assembled cables. The KDL/C system is a splittable system that enables the quick and simple installation of up to 48 pre-assembled cables with a high packing density in control cabinets and terminal boxes.

- Uninterrupted cable guidance
- Easy assembly
- Integrated strain relief
- Fits standard cut-out dimensions
- Protection class IP 54
- Matching grommet: KDT/X

### SPECIFICATIONS

- 30 – 100 °C
- Frame: Polypropylene (PP)  
Block: Thermoplastic elastomer (TPE)
- V0
- IP 54 (with suitable grommets and cables)

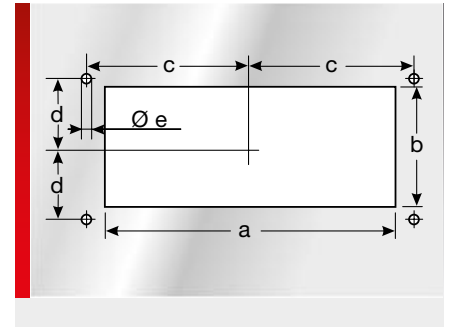
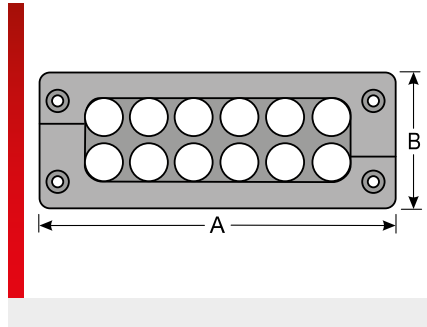


Type	Order No.	Colour	No. openings			MOQ Pcs.
			Small	medium	large	
<b>For standard cut-out size 24</b>						
KDL/C 24/12 <sup>1)</sup>	87141012	Black	12	0	0	1
KDL/C 24/9	87141024	Black	8	1	0	1
KDL/C 24/8	87141020	Black	6	2	0	1
KDL/C 24/4	87141016	Black	0	4	0	1
<b>For standard cut-out size 16</b>						
KDL/C 16/8 <sup>1)</sup>	87141028	Black	8	0	0	1
KDL/C 16/7	87141032	Black	6	1	0	1
KDL/C 16/3	87141036	Black	0	3	0	1
<b>For standard cut-out size 10</b>						
KDL/C 10/6 <sup>1)</sup>	87141040	Black	6	0	0	1
KDL/C 10/5	87141043	Black	4	1	0	1
KDL/C 10/2	87141041	Black	0	2	0	1
<b>For standard cut-out size 6</b>						
KDL/C 6/4 <sup>1)</sup>	87141046	Black	4	0	0	1

<sup>1)</sup>UL Type 12



## Cable entry system Type KDL/D



### PRODUCT INFORMATION

The KDL/D cable entry system is used for inserting pre-assembled cables. The KDL/D system is a splittable system that enables the quick and simple installation of up to 48 pre-assembled cables with a high packing density in control cabinets and terminal boxes. In addition, the KDL/D system offers a very high protection class and a very robust design.

- Uninterrupted cable guidance
- Easy assembly
- Integrated strain relief
- Fits standard cut-out dimensions
- High protection class IP65
- KDL/D-R M50/4: Cut-out 50.5 mm (round)
- Matching grommet: KDT/X

### SPECIFICATIONS

- 30 – 100 °C
- Frame: Polypropylene (PP)  
Block: Thermoplastic elastomer (TPE)
- V0
- IP 65 (with suitable grommets and cables)

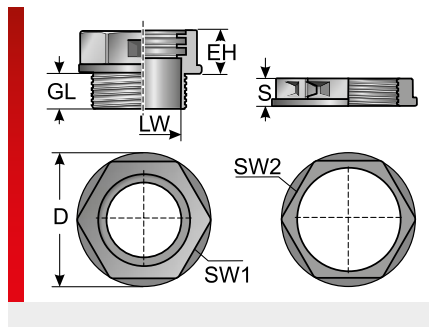
Type	Order No.	Colour	No. openings			MOQ Pcs.
			Small	medium	large	
<b>For standard cut-out size 24</b>						
KDL/D 24/12 <sup>1)</sup>	87141010	Black	12	0	0	1
KDL/D 24/9	87141022	Black	8	1	0	1
KDL/D 24/8	87141018	Black	6	2	0	1
KDL/D 24/4	87141014	Black	0	4	0	1
KDL/D 24/3	87141013	Black	0	1	2	1
<b>For standard cut-out size 16</b>						
KDL/D 16/8 <sup>1)</sup>	87141026	Black	8	0	0	1
KDL/D 16/7	87141030	Black	6	1	0	1
KDL/D 16/2	87141033	Black	0	0	2	1
KDL/D 16/3	87141034	Black	0	3	0	1
<b>For standard cut-out size 10</b>						
KDL/D 10/6 <sup>1)</sup>	87141038	Black	6	0	0	1
KDL/D 10/5	87141042	Black	4	1	0	1
KDL/D 10/2	87141039	Black	0	2	0	1
<b>For standard cut-out size 6</b>						
KDL/D 6/4 <sup>1)</sup>	87141044	Black	4	0	0	1
<b>Special size</b>						
KDL/D 1/6 <sup>1)</sup>	87141048	Black	6	0	0	1
KDL/D-R M50/4 <sup>2)</sup>	87141002	Black	4	0	0	1

<sup>1)</sup> UL Type 12

<sup>2)</sup> No UR-approval



## Cable entry system Type KDL/D-mono



### PRODUCT INFORMATION

The KDL/D-mono is a split cable entry system for inserting pre-assembled cables. Depending on the choice of cable entry grommet, up to four cables can be introduced. The split lock nut is included within the scope of delivery.

- Easy assembly and installation of pre-assembled cables
- Integrated and split seal
- Simple strain relief for cables using cable ties
- Matching grommet: KDT/X

### SPECIFICATIONS

	-30 – 100 °C
	Polyamide 6
	V0
	IP 65

RoHS

LABS

ISO 4892-2

Made in Germany

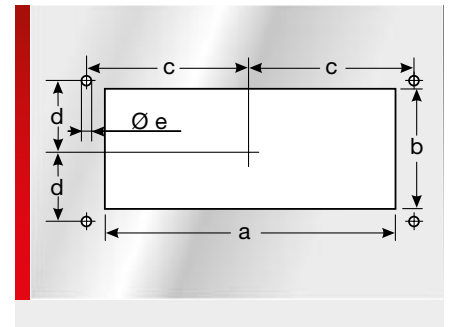
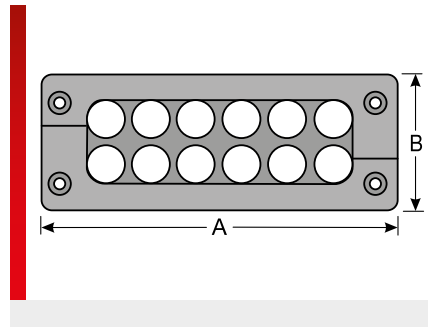
Type	Order No.	Colour	No. openings			Thread	MOQ Pcs.
			Small	medium	large		
KDL/D-mono 1 M25	87141610	Black	1	0	0	M25x1.5	5
KDL/D-mono 1 M32	87141620	Black	0	1	0	M32x1.5	5
KDL/D-mono 1 M40	87141636	Black	0	1	0	M40x1.5	5
KDL/D-mono 2 M40	87141630	Black	2	0	0	M40x1.5	5
KDL/D-mono 1 M50	87141640	Black	0	0	1	M50x1.5	5

### Dimension table

Type	Order No.	Installation height (EH) mm	Thread length (GL) mm	Diameter (D) mm	Width across flats (SW1/SW2) mm
KDL/D-mono 1 M25	87141610	18.50	15.00	40.00	36.0 / 28.0
KDL/D-mono 1 M32	87141620	18.00	15.00	50.00	46.0 / 36.0
KDL/D-mono 1 M40	87141636	18.00	20.00	62.00	55.0 / 46.0
KDL/D-mono 2 M40	87141630	18.00	20.00	62.00	55.0 / 46.0
KDL/D-mono 1 M50	87141640	22.00	20.00	62.00	55.0 / 55.0



## Cable entry system Type KDL/H



### PRODUCT INFORMATION

KDL/H is manufactured in a zinc die-cast process and is designed for feed-through of pre-assembled cables. The KDL/H system is a splittable system that enables the quick and easy installation of up to 48 pre-assembled cables with a high packing density in control cabinets and terminal boxes.

Special benefits of the KDL/H are:

- Cable infeed without interruption
- Standardised cut-out dimensions
- Easy assembly
- High protection category to IP 69K (in combination with the proper enclosure)
- Very robust construction
- Integrated strain relief
- Matching grommet: KDT/X
- KDL/H M50/4: Cut-out 50.5 mm (round)

### SPECIFICATIONS

- 30 – 100 °C
- Frame: ZN/Alu/VA  
Block: Thermoplastic elastomer (TPE)
- IP 66/67 (with suitable grommets and cables)  
IP 69K (with suitable housing)

Type	Order No.	Colour	No. openings Small / medium / large	Material	MOQ Pcs.
<b>For standard cut-out size 24</b>					
KDL/H 24/12	87141410	Black	12 / 0 / 0	Zinc	1
KDL/H 24/8	87141428	Black	6 / 2 / 0	Aluminium	1
KDL/H 24/4	87141412	Black	0 / 4 / 0	Zinc	1
KDL/H 24/3	87141414	Black	0 / 1 / 2	Aluminium	1
KDL/H-VA 24/12	87141482	Typical for the material	12 / 0 / 0	VA	1
KDL/H-VA 24/4	87141480	Typical for the material	0 / 4 / 0	VA	1
KDL/H-VA 24/3	87141478	Typical for the material	0 / 1 / 2	VA	1
<b>For standard cut-out size 16</b>					
KDL/H 16/8	87141418	Black	8 / 0 / 0	Aluminium	1
KDL/H 16/3	87141416	Black	0 / 3 / 0	Aluminium	1
KDL/H 16/2	87141420	Black	0 / 0 / 2	Aluminium	1
KDL/H-VA 16/8	87141476	Typical for the material	8 / 0 / 0	VA	1
KDL/H-VA 16/3	87141474	Typical for the material	0 / 3 / 0	VA	1
KDL/H-VA 16/2	87141472	Typical for the material	0 / 0 / 2	VA	1
<b>Special size</b>					
KDL/H 1/6	87141422	Black	6 / 0 / 0	Aluminium	1
KDL/H-VA 1/6	87141470	Typical for the material	6 / 0 / 0	VA	1
KDL/H M50/4	87141424	Black	4 / 0 / 0	Aluminium	1



## Cable entry grommet Type KDT/X



### PRODUCT INFORMATION

For example, in conjunction with the KDL/C, KDL/D and KDL/H cable entry systems, the KDT/X cable entry grommet can be used to easily route pre-assembled cables into and through control cabinets. The grommet is retrofitted around the cable.

Double cable grommets, multi-line grommets, ASI bushings, USB-grommets and adapter grommets are not cURus listed.

### SPECIFICATIONS

- 30 – 100 °C
- Thermoplastic elastomer (TPE)
- V0

Type	Order No.	Colour	For Ø mm	For opening Small / medium / large	Number of openings	MOQ Pcs.
<b>Grommet, small</b>						
KDT/X 02	87141210	Black	2 – 3	• / - / -	1	12
KDT/X 03	87141212	Black	3 – 4	• / - / -	1	12
KDT/X 04	87141214	Black	4 – 5	• / - / -	1	12
KDT/X 05	87141216	Black	5 – 6	• / - / -	1	12
KDT/X 06	87141218	Black	6 – 7	• / - / -	1	12
KDT/X 07	87141220	Black	7 – 8	• / - / -	1	12
KDT/X 08	87141222	Black	8 – 9	• / - / -	1	12
KDT/X 09	87141224	Black	9 – 10	• / - / -	1	12
KDT/X 10	87141226	Black	10 – 11	• / - / -	1	12
KDT/X 11	87141228	Black	11 – 12	• / - / -	1	12
<b>Grommet, medium</b>						
KDT/X 12	87141230	Black	12 – 13	- / • / -	1	4
KDT/X 13	87141232	Black	13 – 14	- / • / -	1	4
KDT/X 14	87141234	Black	14 – 15	- / • / -	1	4
KDT/X 15	87141236	Black	15 – 16	- / • / -	1	4
KDT/X 16	87141238	Black	16 – 17	- / • / -	1	4
KDT/X 17	87141240	Black	17 – 18	- / • / -	1	4
KDT/X 18	87141242	Black	18 – 19	- / • / -	1	4
KDT/X 19	87141244	Black	19 – 20	- / • / -	1	4
KDT/X 20	87141246	Black	20 – 21	- / • / -	1	4
KDT/X 21	87141248	Black	21 – 22	- / • / -	1	4
<b>Grommet, large</b>						
KDT/X 22	87141250	Black	22 – 23	- / - / •	1	4
KDT/X 23	87141252	Black	23 – 24	- / - / •	1	4
KDT/X 24	87141254	Black	24 – 25	- / - / •	1	4

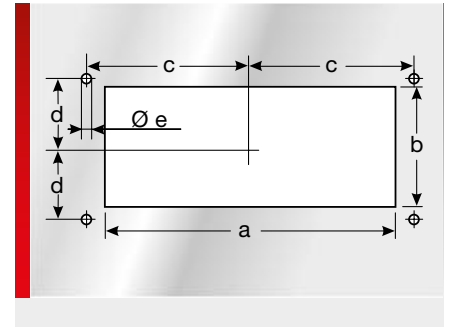
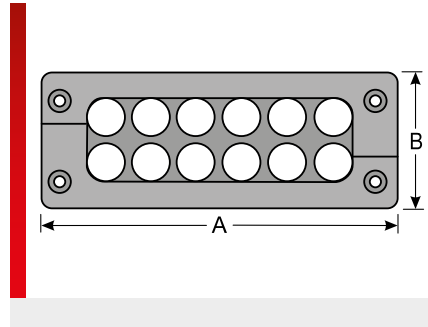
KDH

## Cable entry grommet Type KDT/X (continued)

Type	Order No.	Colour	For Ø mm	For opening Small / medium / large	Number of openings	MOQ Pcs.
KDT/X 25	87141256	Black	25 – 26	- / - / •	1	4
KDT/X 26	87141258	Black	26 – 27	- / - / •	1	4
KDT/X 27	87141260	Black	27 – 28	- / - / •	1	4
KDT/X 28	87141262	Black	28 – 29	- / - / •	1	4
KDT/X 29	87141264	Black	29 – 30	- / - / •	1	4
<b>Dummy grommet</b>						
BTK/X (dummy grommet)	87141270	Black		• / - / -		12
BTG/X (dummy grommet)	87141266	Black		- / • / -		4
BTG/XL (dummy grommet)	87141265	Black		- / - / •		4
<b>Double cable grommet</b>						
KDT/X 2x2 <sup>1)</sup>	87141275	Black	2	• / - / -	2	12
KDT/X 2x3 <sup>1)</sup>	87141277	Black	3	• / - / -	2	12
KDT/X 2x4 <sup>1)</sup>	87141279	Black	4	• / - / -	2	12
KDT/X 2x5 <sup>1)</sup>	87141281	Black	5	- / • / -	2	4
KDT/X 2x6 <sup>1)</sup>	87141283	Black	6	- / • / -	2	4
KDT/X 2x7 <sup>1)</sup>	87141285	Black	7	- / • / -	2	4
KDT/X 2x8 <sup>1)</sup>	87141287	Black	8	- / • / -	2	4
<b>Multi-line grommet 4-line</b>						
KDT/X 4x2 <sup>1)</sup>	87141276	Black	2	• / - / -	4	12
KDT/X 4x3 <sup>1)</sup>	87141278	Black	3	• / - / -	4	12
KDT/X 4x4 <sup>1)</sup>	87141280	Black	4	• / - / -	4	12
KDT/X 4x5 <sup>1)</sup>	87141282	Black	5	- / • / -	4	4
KDT/X 4x6 <sup>1)</sup>	87141284	Black	6	- / • / -	4	4
KDT/X 4x7 <sup>1)</sup>	87141286	Black	7	- / • / -	4	4
KDT/X 4x8 <sup>1)</sup>	87141288	Black	8	- / • / -	4	4
<b>Adapter grommet (adapter for small grommet)</b>						
ATG/X <sup>2)</sup>	87141268	Black		- / • / -		4
<b>Adapter grommet (for medium grommet)</b>						
ATG/XL adapter grommet	87141267	Black		- / - / •		4
<b>ASI grommet (for ASI cable)</b>						
KDT/X 1xASI <sup>2)</sup>	87141274	Black		- / • / -		4
KDT/X 2xASI <sup>2)</sup>	87141272	Black		- / • / -		4
<b>USB grommet</b>						
KDT/X-USB 0.5m <sup>2)</sup>	87141294	Black		- / • / -		1
KDT/X-USB 1.0m <sup>2)</sup>	87141296	Black		- / • / -		1
KDT/X-USB 3.0m <sup>2)</sup>	87141298	Black		- / • / -		1
<b>LAN grommet</b>						
KDT/X-LAN	87141292	Black		- / - / •		1

<sup>1)</sup>No UR-approval / unused openings can be closed off with type VST sealing plugs

## Cable entry system KDL/H-VA FDA



### PRODUCT INFORMATION

The corrosion-free cable entry system for the insertion of pre-assembled cables in a very stable and robust design made of stainless steel and FDA compliant material for the food industry.

- 2-piece or 3-piece frame
- Easy assembly

- High packing density for up to 48 cables
- Integrated strain relief
- Made of FDA compliant material especially for the food industry
- Suitable for standard cut-outs for 24-pin and 16-pin industrial connectors
- Matching grommet: KDT/X-FDA

### SPECIFICATIONS



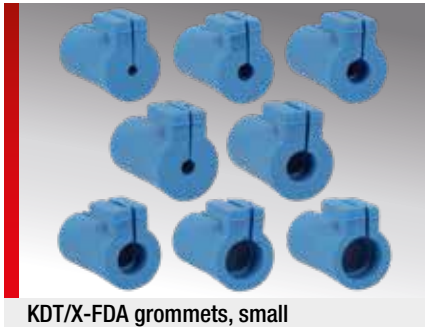
Type	Order No.	Colour	No. openings			Material	MOQ Pcs.
			Small	medium	large		
<b>For standard cut-out size 24</b>							
KDL/H-VA-FDA 24/12, Set	87141882	Typical for the material	12	0	0	VA	1
KDL/H-VA-FDA 24/4, Set	87141880	Typical for the material	0	4	0	VA	1
KDL/H-VA-FDA 24/3, Set	87141878	Typical for the material	0	1	2	VA	1
<b>For standard cut-out size 16</b>							
KDL/H-VA-FDA 16/8, Set	87141877	Typical for the material	8	0	0	VA	1
KDL/H-VA-FDA 16/3, Set	87141874	Typical for the material	0	3	0	VA	1
KDL/H-VA-FDA 16/2, Set	87141875	Typical for the material	0	0	2	VA	1
<b>Special size</b>							
KDL/H-VA-FDA 1/6, Set	87141870	Typical for the material	6	0	0	VA	1

### Dimension table

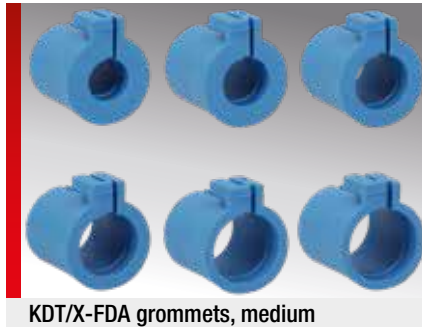
Type	Order No.	Installation height (EH) mm	A mm	B mm	a mm	b mm	c mm	d mm	e mm
<b>For standard cut-out size 24</b>									
KDL/H-VA-FDA 24/12, Set	87141882	18.00	148.00	58.00	112.00	36.00	65.00	16.00	5.50
KDL/H-VA-FDA 24/4, Set	87141880	18.00	148.00	58.00	112.00	36.00	65.00	16.00	5.50
KDL/H-VA-FDA 24/3, Set	87141878	18.00	148.00	58.00	112.00	36.00	65.00	16.00	5.50
<b>For standard cut-out size 16</b>									
KDL/H-VA-FDA 16/8, Set	87141877	18.00	121.00	58.00	86.00	36.00	51.50	16.00	5.50
KDL/H-VA-FDA 16/3, Set	87141874	18.00	121.00	58.00	86.00	36.00	51.50	16.00	5.50
KDL/H-VA-FDA 16/2, Set	87141875	18.00	121.00	58.00	86.00	36.00	51.50	16.00	5.50
<b>Special size</b>									
KDL/H-VA-FDA 1/6, Set	87141870	18.00	148.00	38.00	112.00	17.00	65.00	16.00	5.50



## Cable entry grommet Type KDT/X FDA



KDT/X-FDA grommets, small



KDT/X-FDA grommets, medium



BTK/X-FDA and BTG/X-FDA dummy grommets

### PRODUCT INFORMATION

1-piece cable entry grommet for pre-assembled cables combined with the cable entry system KDL/H-VA FDA made of FDA compliant material for the food industry.

- Pre-assembled cables can be easily inserted or fed through e.g. in control cabinets.
- Grommets are retrofitted around the cable.
- Made of FDA compliant material especially for the food industry

### SPECIFICATIONS

	-40 – 80 °C
	Thermoplastic elastomer (TPE)

Type	Order No.	Colour	For Ø mm	For opening Small / medium / large	Number of openings	MOQ Pcs.
<b>Grommet, small</b>						
KDT/X-FDA 02, 02-03	87141710	Blue	2 – 3	• / - / -	1	12
KDT/X-FDA 03, 03-04	87141712	Blue	3 – 4	• / - / -	1	12
KDT/X-FDA 04, 04-05	87141714	Blue	4 – 5	• / - / -	1	12
KDT/X-FDA 05, 05-06	87141716	Blue	5 – 6	• / - / -	1	12
KDT/X-FDA 06, 06-07	87141718	Blue	6 – 7	• / - / -	1	12
KDT/X-FDA 07, 07-08	87141720	Blue	7 – 8	• / - / -	1	12
KDT/X-FDA 08, 08-09	87141722	Blue	8 – 9	• / - / -	1	12
KDT/X-FDA 09, 09-10	87141724	Blue	9 – 10	• / - / -	1	12
KDT/X-FDA 10, 10-11	87141726	Blue	10 – 11	• / - / -	1	12
KDT/X-FDA 11, 11-12	87141728	Blue	11 – 12	• / - / -	1	12
<b>Grommet, medium</b>						
KDT/X-FDA 12, 12-13	87141730	Blue	12 – 13	- / • / -	1	4
KDT/X-FDA 13, 13-14	87141732	Blue	13 – 14	- / • / -	1	4
KDT/X-FDA 14, 14-15	87141734	Blue	14 – 15	- / • / -	1	4
KDT/X-FDA 15, 15-16	87141736	Blue	15 – 16	- / • / -	1	4
KDT/X-FDA 16, 16-17	87141738	Blue	16 – 17	- / • / -	1	4
KDT/X-FDA 17, 17-18	87141740	Blue	17 – 18	- / • / -	1	4
KDT/X-FDA 18, 18-19	87141742	Blue	18 – 19	- / • / -	1	4
KDT/X-FDA 19, 19-20	87141744	Blue	19 – 20	- / • / -	1	4
KDT/X-FDA 20, 20-21	87141746	Blue	20 – 21	- / • / -	1	4
KDT/X-FDA 21, 21-22	87141748	Blue	21 – 22	- / • / -	1	4
<b>Grommet, large</b>						
KDT/X-FDA 22, 22-23	87141750	Blue	22 – 23	- / - / •	1	4
KDT/X-FDA 23, 23-24	87141752	Blue	23 – 24	- / - / •	1	4

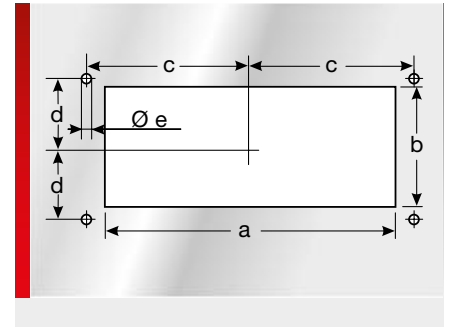
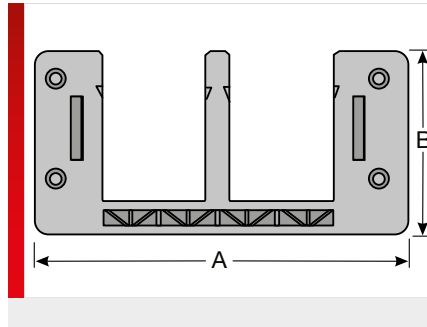
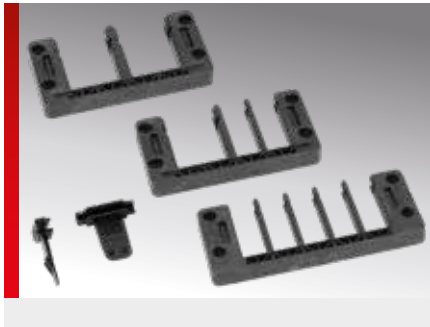






## KDL/E cable entry system

## KDL/E cable entry system



### PRODUCT INFORMATION

The KDL/E represents the 3rd generation of Murrplastik cable entry system.

- Even quicker mounting of pre-assembled cables
- Snap in, screwing on is no longer absolutely necessary
- Catch hook for 1.5 – 2.0 mm plate thickness included with delivery, additional catch hooks for up to 4.1 mm plate thickness available

- Fits standard cut-outs for connectors (e.g. Harting, Wieland and Rittal).
- EMC solution with discharge plate, simple realisation
- Matching grommets: KDT/xE

### SPECIFICATIONS

- 40 – 80 °C
- Polyamide 6.6
- V0
- IP 54 (with suitable grommets and cables)

Type	Order No.	Colour	No. of openings Small / medium / large	For Ø mm	MOQ Pcs.
<b>For standard cut-out size 16</b>					
KDL/E 16/2 <sup>1)</sup>	87121010	Black	0 / 2	16.0 – 31.0	1
KDL/E 16/4 <sup>1)</sup>	87121011	Black	4 / 0	3.0 – 16.0	1
KDL/E 16/5 <sup>1)</sup>	87121012	Black	4 / 1	3.0 – 31.0	1
KDL/E 16/8 <sup>1)</sup>	87121014	Black	8 / 0	3.0 – 16.0	1
<b>For standard cut-out size 24</b>					
KDL/E 24/4 <sup>2)</sup>	87121016	Black	2 / 2	3.0 – 31.0	1
KDL/E 24/7 <sup>2)</sup>	87121018	Black	6 / 1	3.0 – 31.0	1
KDL/E 24/10 <sup>2)</sup>	87121020	Black	10 / 0	3.0 – 16.0	1

<sup>1)</sup> When using catch hooks, then the width of the cut-out must be increased to 91 mm

<sup>2)</sup> For matching adapter plates or floor cable plates, see the chapter "Accessories for cable entry systems and plates"

### Dimension table

Type	Order No.	Installation height mm	A mm	B mm	a mm	b mm	c mm	d mm	e mm
<b>For standard cut-out size 16</b>									
KDL/E 16/2 <sup>1)</sup>	87121010	15.50	116.00	58.00	86.00	36.00	51.50	16.00	5.50
KDL/E 16/4 <sup>1)</sup>	87121011	15.50	116.00	58.00	86.00	36.00	51.50	16.00	5.50
KDL/E 16/5 <sup>1)</sup>	87121012	15.50	116.00	58.00	86.00	36.00	51.50	16.00	5.50
KDL/E 16/8 <sup>1)</sup>	87121014	15.50	116.00	58.00	86.00	36.00	51.50	16.00	5.50





## KDT/xE cable entry grommet



### PRODUCT INFORMATION

In conjunction with the KDL/E cable entry system, the KDT/xE cable entry grommet can be used to easily route pre-assembled cables e.g. in control cabinets. The grommet is 2-pce. and is positioned around the cable. The grommets are equipped with catch hooks that anchor themselves in the KDL/E when positioning.

Strain relief for type KDT/ZE is achieved using a simple cable tie. Type KDT/VE is a vario grommet without strain relief which covers a larger clamping range.

### SPECIFICATIONS

- 40 – 80 °C
- Thermoplastic rubber
- HB

RoHS

LABS

UV  
ISO 4002-2

SE

GL

RU

Made in Germany

Type	Order No.	Colour	For Ø mm	For opening Small / medium / large	No. of openings	Suitable for Conduit	MOQ Pcs.
<b>Grommet, small</b>							
KDT/ZE 03	87121210	Black	3 – 4	• / -	1		10
KDT/ZE 04	87121212	Black	4 – 5	• / -	1		10
KDT/ZE 05	87121214	Black	5 – 6	• / -	1		10
KDT/ZE 06	87121216	Black	6 – 7	• / -	1		10
KDT/ZE 07	87121218	Black	7 – 8	• / -	1		10
KDT/ZE 08	87121220	Black	8 – 9	• / -	1		10
KDT/ZE 09	87121222	Black	9 – 10	• / -	1		10
KDT/ZE 10	87121224	Black	10 – 11	• / -	1		10
KDT/ZE 11	87121226	Black	11 – 12	• / -	1		10
KDT/ZE 12	87121228	Black	12 – 13	• / -	1		10
KDT/ZE 13	87121230	Black	13 – 14	• / -	1		10
KDT/ZE 14	87121232	Black	14 – 15	• / -	1		10
KDT/ZE 15	87121234	Black	15 – 16	• / -	1		10
<b>Grommet, large</b>							
KDT/ZE 16	87121236	Black	16 – 17	- / •	1		10
KDT/ZE 17	87121238	Black	17 – 18	- / •	1		10
KDT/ZE 18	87121240	Black	18 – 19	- / •	1		10
KDT/ZE 19	87121242	Black	19 – 20	- / •	1		10
KDT/ZE 20	87121244	Black	20 – 21	- / •	1		10
KDT/ZE 21	87121246	Black	21 – 22	- / •	1		10
KDT/ZE 22	87121248	Black	22 – 23	- / •	1		10
KDT/ZE 23	87121250	Black	23 – 24	- / •	1		10
KDT/ZE 24	87121252	Black	24 – 25	- / •	1		10
KDT/ZE 25	87121254	Black	25 – 26	- / •	1		10

## KDT/xE cable entry grommet (continued...)

Type	Order No.	Colour	For Ø mm	For opening Small / medium / large	No. of openings	Suitable for Conduit	MOQ Pcs.
KDT/ZE 26	87121256	Black	26 – 27	- / •	1		10
KDT/ZE 27	87121258	Black	27 – 28	- / •	1		10
KDT/ZE 28	87121260	Black	28 – 29	- / •	1		10
KDT/ZE 29	87121262	Black	29 – 30	- / •	1		10
KDT/ZE 30	87121264	Black	30 – 31	- / •	1		10
<b>Variable cable grommet (Protection class IP 42)</b>							
KDT/VE 3-7 <sup>1)</sup>	87121272	Black	3 – 7	• / -	1		10
KDT/VE 7-10 <sup>1)</sup>	87121274	Black	7 – 10	• / -	1		10
<b>Multi-line grommet 2-line</b>							
KDT/ZE 2x4 double grommet <sup>2)</sup>	87121284	Black	4	• / -	2		10
KDT/ZE 2x5 double grommet <sup>2)</sup>	87121286	Black	5	• / -	2		10
KDT/ZE 2x6 double grommet <sup>2)</sup>	87121288	Black	6	• / -	2		10
KDT/ZE 2x7 double grommet <sup>2)</sup>	87121290	Black	7	• / -	2		10
KDT/ZE 2x8 double grommet <sup>2)</sup>	87121291	Black	8	• / -	2		10
<b>ASI grommet (for ASI cable)</b>							
KDT/ZE ASI <sup>1)</sup>	87121282	Black		• / -	1		10
KDT/ZE 2xASI double grommet <sup>1)</sup>	87121280	Black		• / -	2		10
<b>Dummy plug for ASI grommet</b>							
BST KDT/ZE ASI <sup>1)</sup>	87121281	Black					10
<b>Multi-line grommet 4-line</b>							
KDT/ZE 4x2 quadruple grommet <sup>2)</sup>	87121292	Black	2	• / -	4		10
KDT/ZE 4x3 quadruple grommet <sup>2)</sup>	87121293	Black	3	• / -	4		10
KDT/ZE 4x4 quadruple grommet <sup>2)</sup>	87121294	Black	4	• / -	4		10
KDT/ZE 4x5 quadruple grommet <sup>2)</sup>	87121295	Black	5	• / -	4		10
KDT/ZE 4x6 quadruple grommet <sup>2)</sup>	87121296	Black	6	• / -	4		10
<b>Adapter grommet (adapter for small grommet)</b>							
ATG/E <sup>1)</sup>	87121268	Black		- / •	1		10
<b>Conduit grommet</b>							
SDT/ZE 07 <sup>1)</sup>	87174250	Black		• / -	1	M10/P07	10
SDT/ZE 09 <sup>1)</sup>	87174252	Black		• / -	1	M12/P09	10
SDT/ZE 11 <sup>1)</sup>	87174254	Black		• / -	1	M16/P11	10
SDT/ZE 16 <sup>1)</sup>	87174256	Black		- / •	1	M20/P16	10
SDT/ZE 21 <sup>1)</sup>	87174258	Black		- / •	1	M25/P21	10
<b>Dummy grommet</b>							
BTK/E	87121266	Black		• / -	0		10
BTG/E	87121270	Black		- / •	0		10

<sup>1)</sup> No UR-approval

<sup>2)</sup> No UR-approval / unused openings can be closed off with type VST sealing plugs

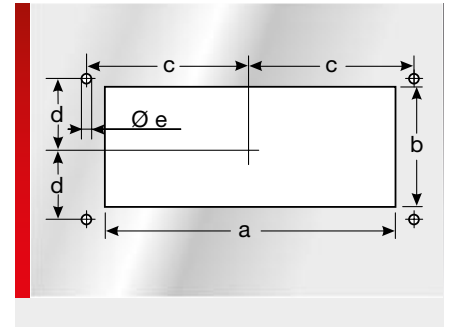
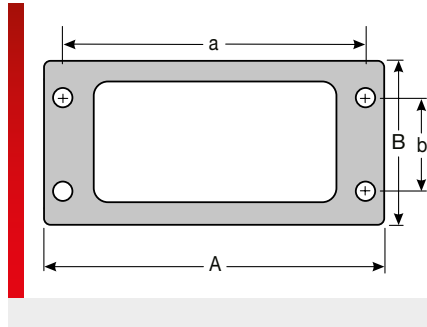




**KDL/S cable entry system**



## KDL/S 16 cable entry system



### PRODUCT INFORMATION

The KDL/S cable entry system is a custom plate that allows various kinds of cables to be inserted to accommodate customers' requests and to be able to seal openings. The internal KDT/S grommet can be custom designed based on the customer's requirements.

- Fits standard cut-outs for 16-pin plug connectors (e.g. Harting, Wieland and Rittal).
- Individual solutions
- Matching grommet: KDT/S

### SPECIFICATIONS

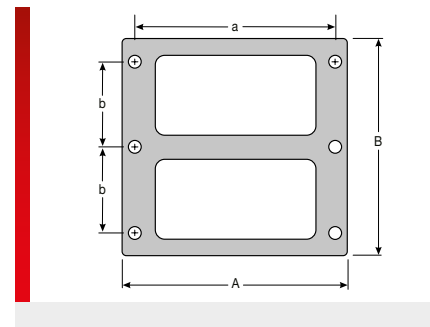
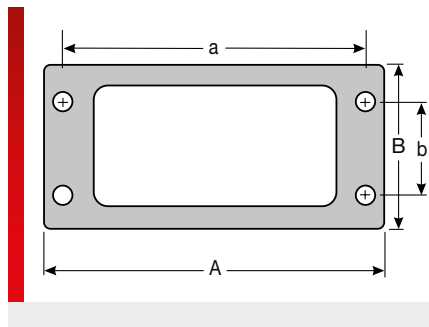
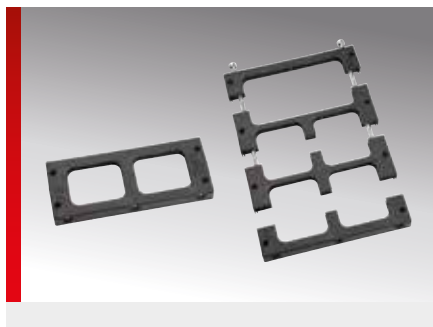
- 40 – 80 °C
- Polyamide 6.6
- V0
- IP 54 (with suitable grommets and cables)

Type	Order No.	Colour	MOQ Pcs.
<b>For standard cut-out size 16</b>			
KDL/S 16	87173004	Black	1

### Dimension table

Type	Order No.	A mm	B mm	C mm	D mm	a mm	b mm	c mm	d mm	e mm	EH mm
<b>For standard cut-out size 16</b>											
KDL/S 16	87173004	116.00	58.00	82.00	43.00	86.00	36.00	51.50	16.00	5.50	15.00

## KDL/S 24 cable entry system



### PRODUCT INFORMATION

The Type KDL/S 24 cable entry system is a custom plate that allows various kinds of cables to be inserted to accommodate customers' requests and to be able to seal openings. The internal KDT/S-K and KDT/S-G grommets can be custom designed based on the customer requests.

- Individual solutions
- Matching grommet: KDT/S-K and KDT/S-G

### SPECIFICATIONS

- 40 – 80 °C
- Polyamide 6.6
- V0

RoHS

LABS

UV  
ISO 4002-2

Made in  
Germany

Type	Order No.	Colour	MOQ Pcs.
KDL/S-G 24	87173032	Black	1
KDL/S-G 24/2	87173036	Black	1
KDL/S-G-K 24/3	87173038	Black	1
KDL/S-K 24	87173030	Black	1
KDL/S-K 24/4	87173034	Black	1

### Dimension table

Type	Order No.	A mm	B mm	a mm	b mm
KDL/S-G 24	87173032	142.00	58.00	130.00	32.00
KDL/S-G 24/2	87173036	142.00	102.00	130.00	38.00
KDL/S-G-K 24/3	87173038	142.00	102.00	130.00	38.00
KDL/S-K 24	87173030	142.00	58.00	130.00	32.00
KDL/S-K 24/4	87173034	142.00	102.00	130.00	38.00

## KDT/S 16 cable entry grommet



### PRODUCT INFORMATION

The cable entry grommets type KDT/S can be manufactured to meet the customer's specifications. It can provide solutions for a wide variety of applications, e.g. insertion of cables in a range of shapes or sealing openings for metal wiring.

- Individual solutions

### SPECIFICATIONS

-  -40 – 80 °C
-  Thermoplastic rubber
-  HB

RoHS

UV  
ISO 4802-2

Made in  
Germany

Type	Order No.	Colour	No. openings	For Ø mm	For ribbon cable	Version	MOQ Pcs.
KDT/S 2x15	87175444	Black	2	15		Two-piece	1
KDT/S 2x24 – 28	87175447	Black	2	24 – 28		Two-piece	1
KDT/S 2x28 – 32	87175443	Black	2	28 – 32		Two-piece	1
KDT/S 2x35	87175440	Black	2	35		Two-piece	1
KDT/S 6x17.5	87175441	Black	6	17.5		One-piece	1
KDT/S 6x20.3	87175445	Black	6	20.3		One-piece	1
KDT/S 56x13	87175442	Black	2		56.0 x 13.0	Two-piece	1
KDT/S 56x13 B	87175448	Black	2		56.0 x 13.0	One-piece	1
KDT/S 67x12 B	87175446	Black	2		67.0 x 12.0	One-piece	1
KDT/S 67x12 C	87175449	Black	2		67.0 x 12.0	Two-piece	1
KDT/S Blind	87175437	Black				One-piece	1



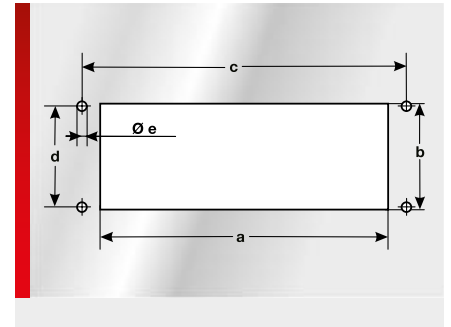
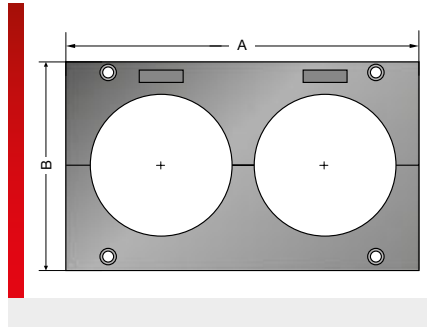






## KDL-Jumbo cable entry system

## KDL-Jumbo cable entry system



### PRODUCT INFORMATION

The KDL-Jumbo cable entry system is used for inserting pre-assembled cables and corrugated conduits (EW & EWX corrugation). The KDL-Jumbo system is a fully splittable system that enables the quick and simple installation of 1 or 2 pre-assembled cables or corrugated conduits with a diameter of between 30 mm and 65 mm in control cabinets and terminal boxes. Particular benefits of the KDL-Jumbo noise attenuation liner:

- Cable infeed without interruption
- Very robust and completely splittable system
- Integrated, permanent (captive) seal
- High protection class IP65
- Labelling with KSS 20x9 and KSS 10x8 labels
- Integrated strain relief at the grommets
- Fire classification V0 per UL94
- Supply includes all mounting materials.

### SPECIFICATIONS

- 30 – 100 °C
- Polyamide 6.6, PUR
- V0
- IP 65 (with suitable grommets and cables)

Type	Order No.	Colour	For Ø mm	No. openings	MOQ Pcs.
KDL-Jumbo 1	87176110	Black	30.0 – 65.0	1	1
KDL-Jumbo 2	87176120	Black	30.0 – 65.0	2	1

### Dimension table

Type	Order No.	Installation height mm	A mm	B mm	a mm	b mm	c mm	d mm	e mm
KDL-Jumbo 1	87176110	35.00	110.00	116.00	90.00	90.00	57.00	101.00	7.00
KDL-Jumbo 2	87176120	35.00	200.00	116.00	180.00	90.00	147.00	101.00	7.00


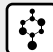

## KDT/Z-Jumbo cable entry grommet





### PRODUCT INFORMATION


The cable entry grommet KDT/Z-Jumbo allows the fitting of cables from 30-65 mm in size in the openings of the KDL-Jumbo cable entry system. The grommet has two parts, and is aligned and installed with the frame halves together around the cable. Strain relief can be provided quickly and easily for cables using cable ties.


### SPECIFICATIONS

-  -30 – 100 °C
-  TPE-S
-  V0







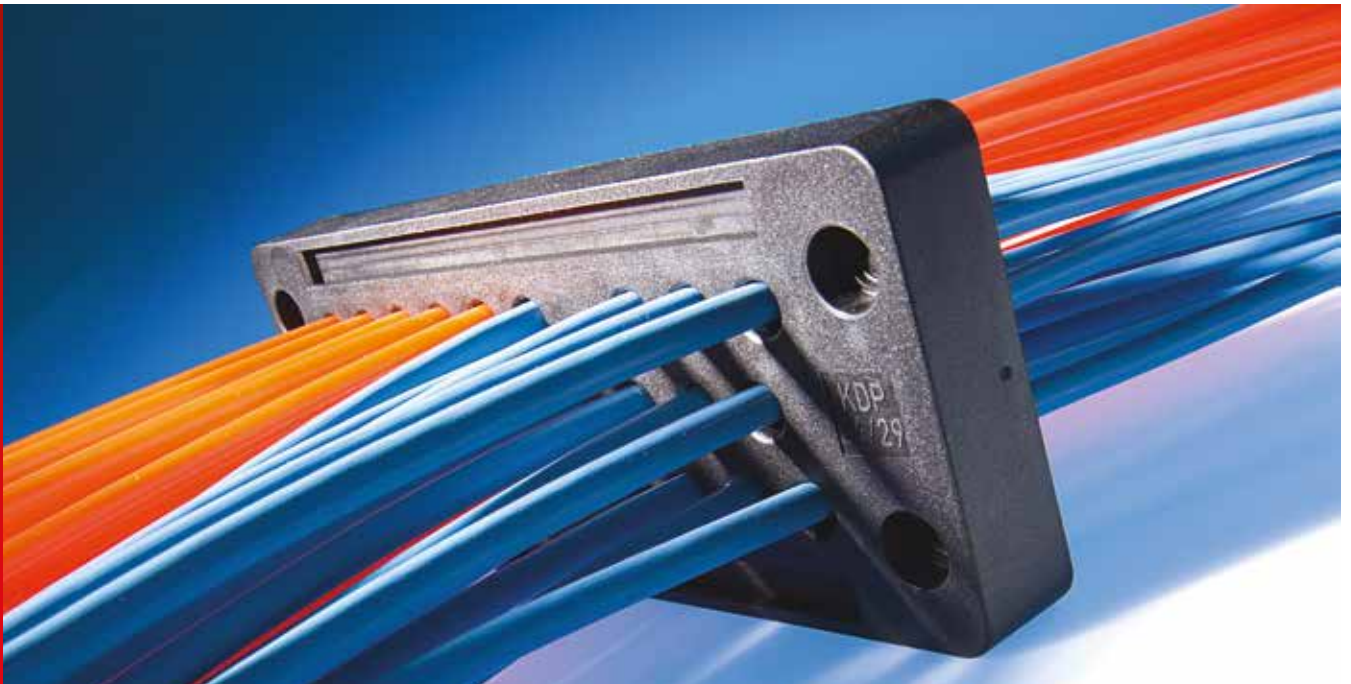


Type	Order No.	Colour	For Ø mm	No. openings	MOQ Pcs.
KDT/Z-Jumbo 30-35	87176212	Black	30 – 35	1	1
KDT/Z-Jumbo 35-40	87176214	Black	35 – 40	1	1
KDT/Z-Jumbo 40-45	87176216	Black	40 – 45	1	1
KDT/Z-Jumbo 45-50	87176218	Black	45 – 50	1	1
KDT/Z-Jumbo 50-55	87176220	Black	50 – 55	1	1
KDT/Z-Jumbo 55-60	87176222	Black	55 – 60	1	1
KDT/Z-Jumbo 60-65	87176224	Black	60 – 65	1	1

#### Dummy grommet

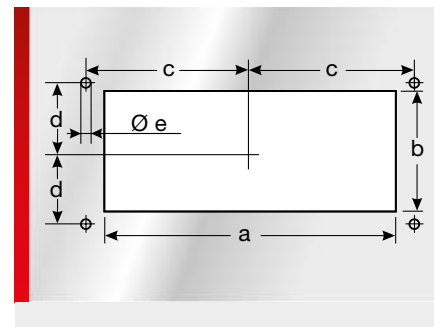
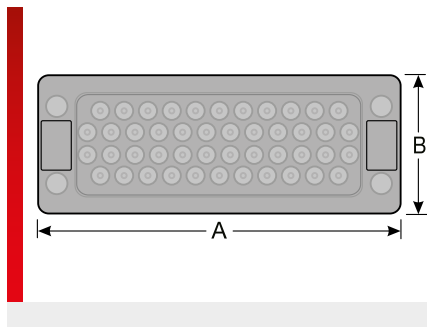
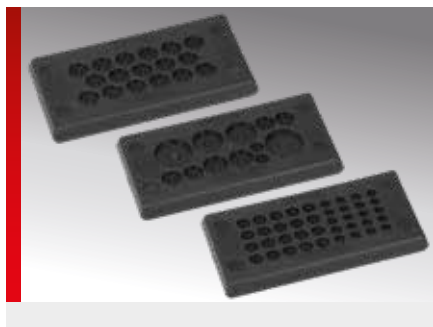
BT-Jumbo	87176210	Black			1
----------	----------	-------	--	--	---





**KDP cable entry plate, plastic, rectangular**

## KDP/Z 16 cable entry plate plastic



### PRODUCT INFORMATION

High-density plastic cable entry plate, very flat due to 2-component design

- Enormous time savings in assembly
- High packing density
- Large wire diameter ranges

- Good strain relief
- Suitable for standard cut-outs for 16-pin industrial connectors
- Assembly with clips or M5 screws possible

### SPECIFICATIONS

-30 – 70 °C

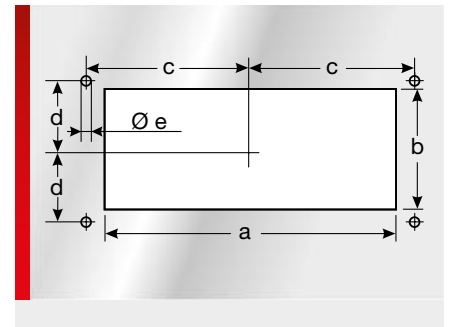
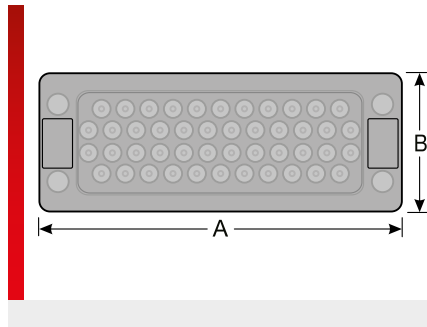


Type	Order No.	Colour	No. openings	Openings quantity / Ø mm	Cut-out	MOQ Pcs.
KDP/Z 16/10, sw, VE 5	87303054	Black	10	10x 7.5 – 12.0	16-pole	5
KDP/Z 16/10, sw, VE 50	87303055	Black	10	10x 7.5 – 12.0	16-pole	50
KDP/Z 16/12, sw, VE 5	87303056	Black	12	2x 3.0 – 5.0	16-pole	5
				4x 5.0 – 9.0		
				2x 7.5 – 12.0		
				2x 10.0 – 16.0		
				2x 14.0 – 20.0		
KDP/Z 16/12, sw, VE 50	87303057	Black	12	2x 3.0 – 5.0	16-pole	50
				4x 5.0 – 9.0		
				2x 7.5 – 12.0		
				2x 10.0 – 16.0		
				2x 14.0 – 20.0		
KDP/Z 16/17, sw, VE 5	87303058	Black	17	17x 5.0 – 9.0	16-pole	5
KDP/Z 16/17, sw, VE 50	87303059	Black	17	17x 5.0 – 9.0	16-pole	50
KDP/Z 16/24, sw, VE 5	87303060	Black	24	16x 3.0 – 6.0	16-pole	5
				6x 5.0 – 9.0		
				2x 7.5 – 12.0		
KDP/Z 16/24, sw, VE 50	87303061	Black	24	16x 3.0 – 6.0	16-pole	50
				6x 5.0 – 9.0		
				2x 7.5 – 12.0		
KDP/Z 16/40, sw, VE 5	87303062	Black	40	20x 2.0 – 4.0	16-pole	5
KDP/Z 16/40, sw, VE 50	87303063	Black	40	20x 2.0 – 4.0	16-pole	50
				20x 3.0 – 6.0		
				20x 3.0 – 6.0		





## KDP/Z 24 cable entry plate plastic



### PRODUCT INFORMATION

The KDP/Z 24 cable entry plate is an entry and fastening system for cables and pneumatic hoses such as those used in control cabinets, plant or machine construction. Wherever quick assembly, cable-protection and high packing density are required, this cable entry plate can be used.

- Enormous time savings in assembly
- High packing density
- Large wire diameter ranges
- Good strain relief
- Very flat design

### SPECIFICATIONS

- 30 – 70 °C
- Frame: Polypropylene (PP)  
Seal: Thermoplastic elastomer (TPE)
- HB
- IP 65  
IP 66/67



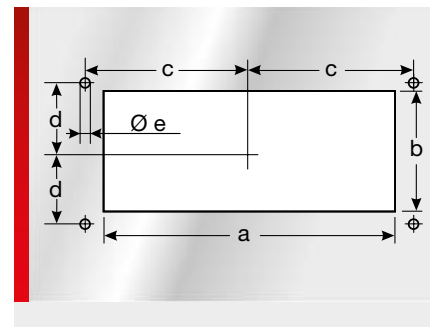
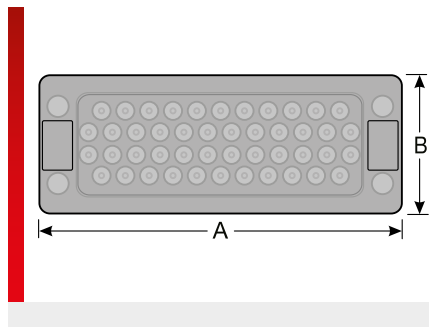
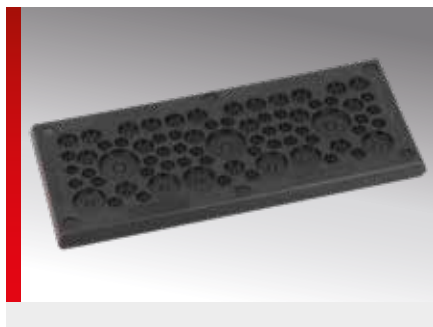
Type	Order No.	Colour	No. openings	Openings quantity / Ø mm	MOQ Pcs.
KDP/Z 24/3, sw, VE 5	87303002	Black	3	3x 22.0 – 33.0	5
KDP/Z 24/3, sw, VE 50	87303004	Black	3	3x 22.0 – 33.0	50
KDP/Z 24/14	87303010	Black	14	14x 7.5 – 12.0	5
KDP/Z 24/14, VE 50	87303012	Black	14	14x 7.5 – 12.0	50
KDP/S-Z 24, sw	87303090	Black			5
KDP/Z 24/14-1	87303020	Black	14	2x 3.0 – 6.0 4x 5.0 – 9.0 3x 7.5 – 12.0 3x 10.0 – 16.0 2x 14.0 – 20.0	5
KDP/S-Z 24, VE 50, sw	87303092	Black			50
KDP/Z 24/14-1, VE 50	87303022	Black	14	2x 3.0 – 6.0 4x 5.0 – 9.0 3x 7.5 – 12.0 3x 10.0 – 16.0 2x 14.0 – 20.0	50
KDP/Z 24/23	87303030	Black	23	23x 5.0 – 9.0	5
KDP/Z 24/23, VE 50	87303032	Black	23	23x 5.0 – 9.0	50
KDP/Z 24/30	87303040	Black	30	20x 3.0 – 6.0 6x 5.0 – 9.0 4x 7.5 – 12.0	5
KDP/Z 24/30, VE 50	87303042	Black	30	20x 3.0 – 6.0 6x 5.0 – 9.0 4x 7.5 – 12.0	50
KDP/Z 24/48	87303050	Black	48	28x 3.0 – 6.0 20x 2.0 – 4.0	5
KDP/Z 24/48, VE 50	87303052	Black	48	28x 3.0 – 6.0 20x 2.0 – 4.0	50

## KDP/Z 24 cable entry plate plastic (continued)

### Dimension table

Type	Order No.	A mm	B mm	a mm	b mm	c mm	d mm	e mm
KDP/Z 24/3, sw, VE 5	87303002	149.00	61.00	112.00	36.00	65.00	16.00	5.50
KDP/Z 24/3, sw, VE 50	87303004	149.00	61.00	112.00	36.00	65.00	16.00	5.50
KDP/Z 24/14	87303010	149.00	61.00	112.00	36.00	65.00	16.00	5.50
KDP/Z 24/14, VE 50	87303012	149.00	61.00	112.00	36.00	65.00	16.00	5.50
KDP/S-Z 24, sw	87303090	149.00	61.00	112.00	36.00	65.00	16.00	5.50
KDP/Z 24/14-1	87303020	149.00	61.00	112.00	36.00	65.00	16.00	5.50
KDP/S-Z 24, VE 50, sw	87303092	149.00	61.00	112.00	36.00	65.00	16.00	5.50
KDP/Z 24/14-1, VE 50	87303022	149.00	61.00	112.00	36.00	65.00	16.00	5.50
KDP/Z 24/23	87303030	149.00	61.00	112.00	36.00	65.00	16.00	5.50
KDP/Z 24/23, VE 50	87303032	149.00	61.00	112.00	36.00	65.00	16.00	5.50
KDP/Z 24/30	87303040	149.00	61.00	112.00	36.00	65.00	16.00	5.50
KDP/Z 24/30, VE 50	87303042	149.00	61.00	112.00	36.00	65.00	16.00	5.50
KDP/Z 24/48	87303050	149.00	61.00	112.00	36.00	65.00	16.00	5.50
KDP/Z 24/48, VE 50	87303052	149.00	61.00	112.00	36.00	65.00	16.00	5.50

## KDP/Z Rittal cable entry plate plastic



### PRODUCT INFORMATION

Flexible, high-density plastic cable entry plate, very flat due to 2-component design. It enables individual solutions for cables without plugs.

- Enormous time savings in assembly
- High packing density

- Large wire diameter ranges
- Good strain relief
- Suitable for standard cut-outs for 16-pin and 24-pin industrial connectors as well as Rittal size 2
- Assembly with clips or M5 screws possible

### SPECIFICATIONS

- 30 – 70 °C
- Frame: Polypropylene (PP)  
Seal: Thermoplastic elastomer (TPE)
- HB
- IP 65  
IP 66  
IP 67

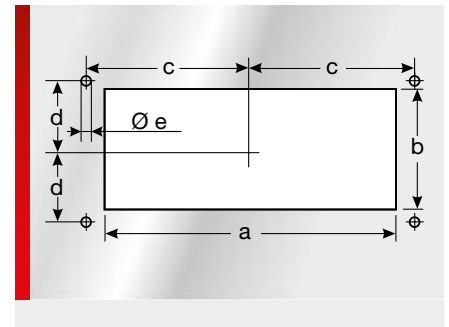
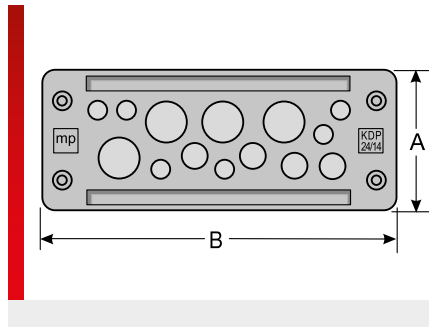


Type	Order No.	Colour	Openings quantity / Ø mm	MOQ Pcs.
KDP/Z 72/Ri2	87303095	Black	42x 3.0 – 6.5	1
			21x 5.0 – 10.5	
			6x 9.0 – 16.5	
			3x 16.0 – 22.0	

### Dimension table

Type	Order No.	A mm	B mm	a mm	b mm	c mm	d mm	e mm
KDP/Z 72/Ri2	87303095	221.00	92.00	192.00	62.00	101.00	36.00	5.50

## KDP/E 24 cable entry plate



### PRODUCT INFORMATION

3. generation of our cable entry plates, plastic, square, with improved clip-in function and one instead of two elastomer plates. Economical connection technology for tool-free wiring of equipment and machinery. Wherever the rapid and economical introduction of cables and/or pneumatic conduits in confined spaces is essential.

The alternative to cable fittings. Suitable for standard cut-outs for 24-pin Harting and Wieland connectors. For snap-in fastening and/or screwing in place.

- Snap-in at plate thicknesses of 1.5 to 2.0 mm
- Lower strain relief
- Insertion of larger cable diameters is possible
- Insertion from both sides is possible

### SPECIFICATIONS

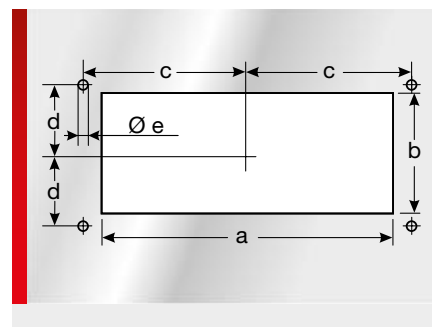
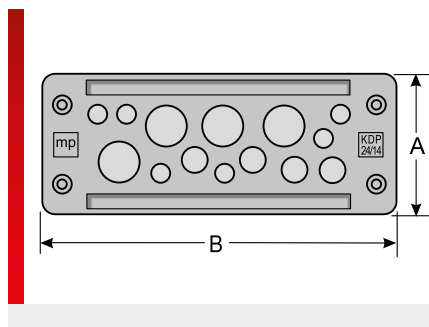
Frame: Polyamide 6.6  
Seal: TPU / EPDM

IP 65



Type	Order No.	Colour	No. openings	Openings quantity / Ø mm	MOQ Pcs.
KDP/E 24/11	87301310	Black	11	4x 3.0 – 6.5	1
				4x 5.0 – 9.2	
				3x 14.0 – 20.0	
KDP/E 24/12	87301320	Black	12	12x 8.0 – 12.0	1
KDP/E 24/13	87301330	Black	13	2x 3.0 – 5.5	1
				6x 4.1 – 8.1	
				4x 9.0 – 14.0	
KDP/E 24/14	87301340	Black	14	1x 14.0 – 20.0	1
				6x 3.0 – 6.5	
				4x 5.0 – 9.2	
KDP/E 24/17, VE 100	87301353	Black	17	4x 9.6 – 15.9	100
				17x 5.0 – 9.2	
				17x 5.0 – 9.2	
KDP/E 24/17	87301350	Black	17	11x 3.0 – 6.5	1
				1x 4.1 – 8.1	
				5x 8.0 – 12.5	
KDP/E 24/17-1	87301351	Black	17	16x 3.0 – 6.5	1
				4x 5.0 – 9.2	
				2x 8.0 – 12.5	
KDP/E 24/22	87301360	Black	22	23x 4.1 – 8.1	1
				16x 3.0 – 6.5	
				4x 5.0 – 9.2	
KDP/E 24/23	87301370	Black	23	29x 3.0 – 6.5	1
				4x 5.0 – 9.2	
				2x 8.0 – 12.5	
KDP/E 24/29	87301380	Black	29	29x 3.0 – 6.5	1

KDP/E 24 cable entry plate (continued)

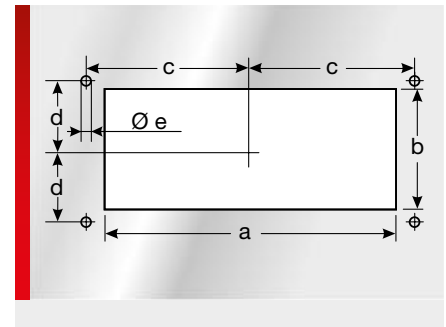
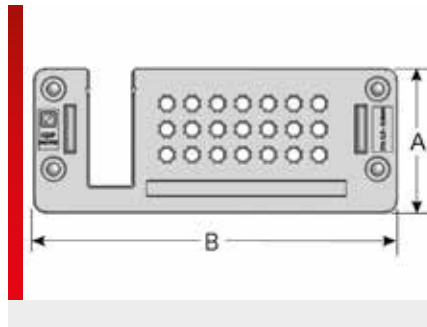
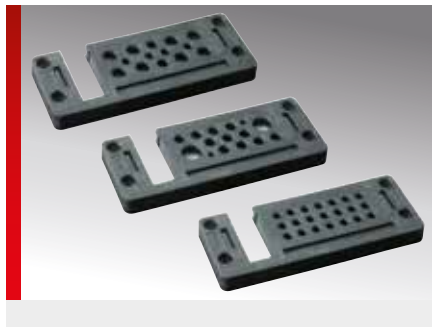


Dimension table

Type	Order No.	Installation height mm	A mm	B mm	a mm	b mm	c mm	d mm	e mm
KDP/E 24/11	87301310	15.00	59.00	147.00	112.00	36.00	65.00	16.00	5.50
KDP/E 24/12	87301320	15.00	59.00	147.00	112.00	36.00	65.00	16.00	5.50
KDP/E 24/13	87301330	15.00	59.00	147.00	112.00	36.00	65.00	16.00	5.50
KDP/E 24/14	87301340	15.00	59.00	147.00	112.00	36.00	65.00	16.00	5.50
KDP/E 24/17, VE 100	87301353	15.00	59.00	147.00	112.00	36.00	65.00	16.00	5.50
KDP/E 24/17	87301350	15.00	59.00	147.00	112.00	36.00	65.00	16.00	5.50
KDP/E 24/17-1	87301351	15.00	59.00	147.00	112.00	36.00	65.00	16.00	5.50
KDP/E 24/22	87301360	15.00	59.00	147.00	112.00	36.00	65.00	16.00	5.50
KDP/E 24/23	87301370	15.00	59.00	147.00	112.00	36.00	65.00	16.00	5.50
KDP/E 24/29	87301380	15.00	59.00	147.00	112.00	36.00	65.00	16.00	5.50



## KDP 24-Multi cable entry plate



### PRODUCT INFORMATION

The cable entry plates, type KDP 24-Multi are a combination of our KDP system and our cable entry KDL/E. They are ideal for situations where a few cables with plugs have to be brought into the control cabinet next to cables without plugs. These cable entry plates take up to four pre-assembled cables in two grommets.

- Catch hook for 1.5 – 2.0 mm plate thickness included with delivery, additional catch hooks for up to 4.1 mm plate thickness available

### SPECIFICATIONS

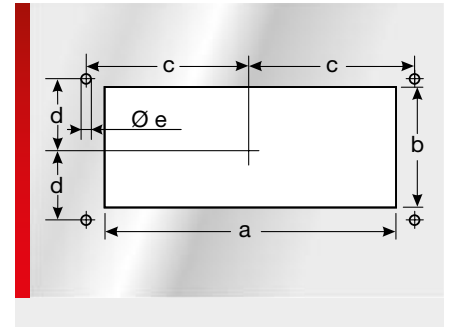
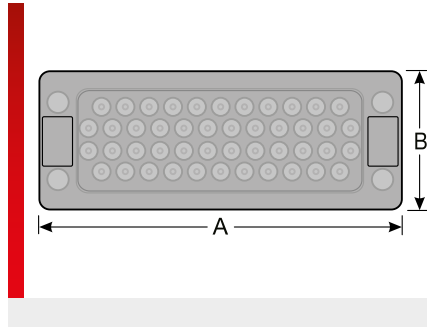
	-30 – 70 °C
	Housing: Polyamide Seal: TPU / NBR / EPDM
	IP 54

Type	Order No.	Colour	No. openings	Openings quantity / Ø mm	No. Grommets	MOQ Pcs.
KDP 24/10/02	87301076	Black	10	4x 3.0 – 6.5 2x 4.5 – 8.5 4x 8.0 – 12.5	2	1
KDP 24/14/02	87301078	Black	14	4x 2.5 – 5.0 2x 3.0 – 6.5 8x 4.5 – 8.5	2	1
KDP 24/15/02	87301080	Black	15	2x 1.5 – 3.5 11x 3.0 – 6.5 2x 8.5 – 12.5	2	1
KDP 24/17/02	87301082	Black	17	17x 3.0 – 6.5	2	1
KDP 24/20/02	87301084	Black	20	4x 1.5 – 3.5 6x 3.0 – 5.0 10x 3.0 – 6.5	2	1
KDP 24/21/02	87301086	Black	21	21x 2.5 – 5.0	2	1

### Dimension table

Type	Order No.	Installation height mm	A mm	B mm	a mm	b mm	c mm	d mm	e mm
KDP 24/10/02	87301076	15.50	58.00	146.00	112.00	36.00	65.00	16.00	5.50
KDP 24/14/02	87301078	15.50	58.00	146.00	112.00	36.00	65.00	16.00	5.50
KDP 24/15/02	87301080	15.50	58.00	146.00	112.00	36.00	65.00	16.00	5.50
KDP 24/17/02	87301082	15.50	58.00	146.00	112.00	36.00	65.00	16.00	5.50
KDP 24/20/02	87301084	15.50	58.00	146.00	112.00	36.00	65.00	16.00	5.50
KDP 24/21/02	87301086	15.50	58.00	146.00	112.00	36.00	65.00	16.00	5.50

## KDP/F 24 cable entry plate plastic



### PRODUCT INFORMATION

The KDP/F 24 cable entry plate is an entry and fastening system for cables and pneumatic hoses such as those used in control cabinets, plant or machine construction. Wherever quick assembly, cable-protection and high packing density are required, this cable entry plate can be used.

- Enormous time savings in assembly
- High packing density
- Large wire diameter ranges
- Several cables may be fed through an opening together
- Very flat design

### SPECIFICATIONS

- 30 – 70 °C
- Frame: Polypropylene (PP)  
Seal: Thermoplastic elastomer (TPE)
- HB
- IP 65



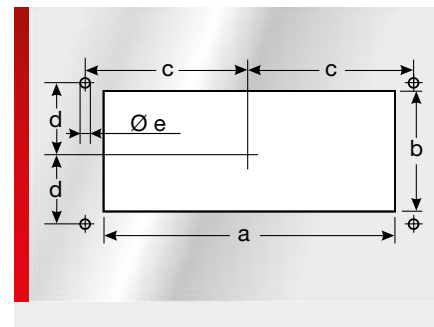
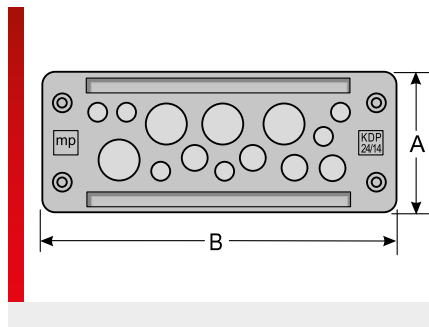
Type	Order No.	Colour	No. openings	Openings quantity / Ø mm	MOQ Pcs.
KDP/F 24-14	87302010	Black	14	6x max. 9.0	1
				4x max. 11.0	
				4x max. 18.0	
KDP/F 24-14, PU 100	87302011	Black	14	6x max. 9.0	100
				4x max. 11.0	
				4x max. 18.0	
KDP/F 24-22	87302020	Black	22	16x max. 9.0	1
				4x max. 11.0	
				2x max. 15.0	
KDP/F 24-22, PU 100	87302021	Black	22	16x max. 9.0	100
				4x max. 11.0	
				2x max. 15.0	
KDP/F 24-28	87302040	Black	28	28x max. 9.0	1
KDP/F 24-28, PU 100	87302041	Black	28	28x max. 9.0	100
KDP/F 24-46	87302050	Black	46	46x max. 6.5	1
KDP/F 24-46, PU 100	87302051	Black	46	46x max. 6.5	100
KDP/F 24-multi	87302030	Black	3	3x max. 27.0	1
KDP/F 24-multi, VE 100	87302031	Black	3	3x max. 27.0	100

### Dimension table

Type	Order No.	Installation height mm	A mm	B mm	a mm	b mm	c mm	d mm	e mm
KDP/F 24-14	87302010	10.00	148.00	60.00	112.00	36.00	65.00	16.00	5.50
KDP/F 24-14, PU 100	87302011	10.00	148.00	60.00	112.00	36.00	65.00	16.00	5.50



## KDP/N 24 cable entry plate plastic



### PRODUCT INFORMATION

2. generation of our cable entry plates, plastic, square, with improved clip-in function. Economical connection technology for tool-free wiring of equipment and machinery. Wherever the rapid and economical introduction of cables and/or pneumatic conduits in confined spaces is essential. The alternative to cable fittings.

Suitable for standard cut-outs for 24-pin Harting and Wieland connectors. For snap-in fastening and/or screwing in place.

- Snap-in at plate thicknesses of 1.5 to 2.0 mm
- High degree of strain relief
- 2 elastomer panels (seals)

### SPECIFICATIONS

Housing: Polyamide 6.6  
 Seal: TPU / NBR / EPDM

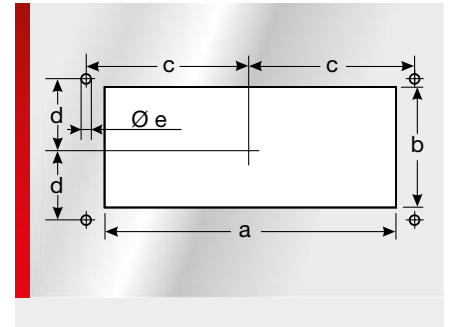
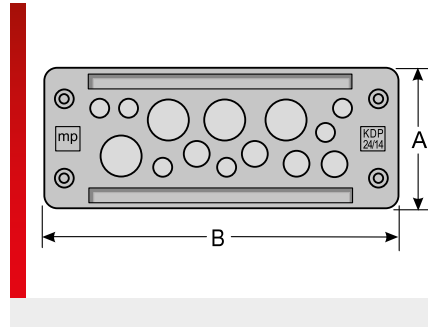
IP 65



Type	Order No.	Colour	No. openings	Openings quantity / Ø mm	MOQ Pcs.
KDP/N 24/10	87301108	Black	10	2x 3.0 – 6.5	1
				1x 5.0 – 9.2	
				5x 9.0 – 14.0	
				2x 14.0 – 20.0	
KDP/N 24/11	87301110	Black	11	4x 3.0 – 6.5	1
				4x 5.0 – 9.2	
				3x 14.0 – 20.0	
KDP/N 24/12	87301120	Black	12	12x 8.0 – 12.0	1
KDP/N 24/13	87301130	Black	13	2x 3.0 – 5.5	1
				6x 4.1 – 8.1	
				4x 9.0 – 14.0	
				1x 14.0 – 20.0	
KDP/N 24/14	87301140	Black	14	6x 3.0 – 6.5	1
				4x 5.0 – 9.2	
				4x 9.6 – 15.9	
KDP/N 24/17	87301150	Black	17	17x 5.0 – 9.2	1
KDP/N 24/17-1	87301151	Black	17	11x 3.0 – 6.5	1
				1x 4.1 – 8.1	
				5x 8.0 – 12.5	
				16x 3.0 – 6.5	
KDP/N 24/22	87301160	Black	22	4x 5.0 – 9.2	1
				2x 8.0 – 12.5	
				23x 4.1 – 8.1	
KDP/N 24/23	87301170	Black	23	23x 4.1 – 8.1	1
KDP/N 24/29	87301180	Black	29	29x 3.0 – 6.5	1
KDP/N 24/80	87301190	Black	80	78x 1.5 – 2.6	1
				2x 2.5 – 5.0	



## KDP/X 24 plastic cable entry plate



### PRODUCT INFORMATION

4. Generation of our cable entry plates, plastic, square, with improved clip-in function and one instead of two elastomer plates. Economical connection technology for tool-free wiring of equipment and machinery. Wherever the rapid and economical introduction of cables and/or pneumatic conduits in confined spaces is essential. The alternative to cable fittings. Suitable for standard cut-outs for 24-pin Harting and

Wieland connectors. For snap-in fastening and/or screwing in place.

- Snap-in at plate thicknesses of 1.5 to 2.0 mm
- High degree of strain relief

### SPECIFICATIONS

Housing: Polyamide 6.6  
Seal: TPU / EPDM

IP 65



Type	Order No.	Colour	No. openings	Openings quantity / Ø mm	MOQ Pcs.
KDP/X 24/3	87301301	Black	3	3x 19.0 – 26.0	1
KDP/X 24/10	87301305	Black	10	2x 3.0 – 6.5 1x 5.0 – 9.2 5x 9.0 – 14.0 2x 14.0 – 20.0	1
KDP/X 24/11	87301315	Black	11	4x 3.0 – 6.5 4x 5.0 – 9.2 3x 14.0 – 20.0	1
KDP/X 24/12	87301325	Black	12	12x 8.0 – 12.0	1
KDP/X 24/13	87301335	Black	13	2x 3.0 – 5.5 6x 4.1 – 8.1 4x 9.0 – 14.0 1x 14.0 – 20.0	1
KDP/X 24/14	87301345	Black	14	6x 3.0 – 6.5 4x 5.0 – 9.2 4x 9.6 – 15.9	1
KDP/X 24/17	87301355	Black	17	17x 5.0 – 9.2	1
KDP/X 24/17-1	87301356	Black	17	11x 3.0 – 6.5 1x 4.1 – 8.1 5x 8.0 – 12.5	1
KDP/X 24/17-1, VE 50, sw	87301357	Black	17	11x 3.0 – 6.5 1x 4.1 – 8.1 5x 8.0 – 12.5	50
KDP/X 24/19	87301398	Black	19	2x 3.5 – 6.5 14x 5.0 – 9.2 3x 7.5 – 11.5	1



**KDP/X 24 plastic cable entry plate** (continued...)

Type	Order No.	Colour	No. openings	Openings quantity / Ø mm	MOQ Pcs.
KDP/X 24/22	87301365	Black	22	16x 3.0 – 6.5 4x 5.0 – 9.2 2x 8.0 – 12.5	1
KDP/X 24/22-1	87301399	Black	22	16x 3.5 – 6.5 4x 7.5 – 11.5 2x 9.0 – 14.0	1
KDP/X 24/23	87301375	Black	23	23x 4.1 – 8.1	1
KDP/X 24/23, VE 50, sw	87301171	Black	23	23x 4.1 – 8.1	50
KDP/X 24/29	87301385	Black	29	29x 3.0 – 6.5	1

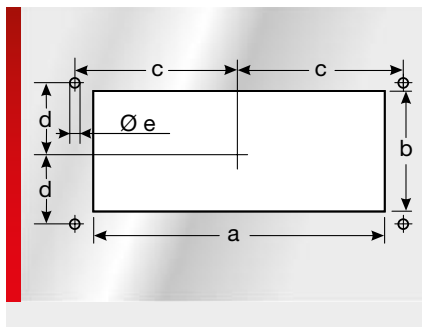
**Dimension table**

Type	Order No.	Installation height mm	A mm	B mm	a mm	b mm	c mm	d mm	e mm
KDP/X 24/3	87301301	15.00	59.00	147.00	112.00	36.00	65.00	16.00	5.50
KDP/X 24/10	87301305	15.00	59.00	147.00	112.00	36.00	65.00	16.00	5.50
KDP/X 24/11	87301315	15.00	59.00	147.00	112.00	36.00	65.00	16.00	5.50
KDP/X 24/12	87301325	15.00	59.00	147.00	112.00	36.00	65.00	16.00	5.50
KDP/X 24/13	87301335	15.00	59.00	147.00	112.00	36.00	65.00	16.00	5.50
KDP/X 24/14	87301345	15.00	59.00	147.00	112.00	36.00	65.00	16.00	5.50
KDP/X 24/17	87301355	15.00	59.00	147.00	112.00	36.00	65.00	16.00	5.50
KDP/X 24/17-1	87301356	15.00	59.00	147.00	112.00	36.00	65.00	16.00	5.50
KDP/X 24/17-1, VE 50, sw	87301357	15.00	59.00	147.00	112.00	36.00	65.00	16.00	5.50
KDP/X 24/19	87301398	15.00	59.00	147.00	112.00	36.00	65.00	16.00	5.50
KDP/X 24/22	87301365	15.00	59.00	147.00	112.00	36.00	65.00	16.00	5.50
KDP/X 24/22-1	87301399	15.00	59.00	147.00	112.00	36.00	65.00	16.00	5.50
KDP/X 24/23	87301375	15.00	59.00	147.00	112.00	36.00	65.00	16.00	5.50
KDP/X 24/23, VE 50, sw	87301171	15.00	59.00	147.00	112.00	36.00	65.00	16.00	5.50
KDP/X 24/29	87301385	15.00	59.00	147.00	112.00	36.00	65.00	16.00	5.50

## KDP/S-Z cable entry plate, plastic, customer-specific



KDP/S-Z 16



KDP/S-Z RI-2 Application example

### PRODUCT INFORMATION

Flexible, high-density plastic cable entry plate, very flat due to 2-component design. It enables individual solutions for cables without plugs.

- Enormous time savings in assembly
- High packing density

- Large wire diameter ranges
- Good strain relief
- Suitable for standard cut-outs for 16-pin and 24-pin industrial connectors as well as Rittal size 2
- Assembly with clips or M5 screws possible

### SPECIFICATIONS

- 30 – 70 °C
- Frame: Polypropylene (PP)  
Seal: Thermoplastic elastomer (TPE)
- HB

RoHS

LABS

UV  
ISO 4892-2

Made in  
Germany

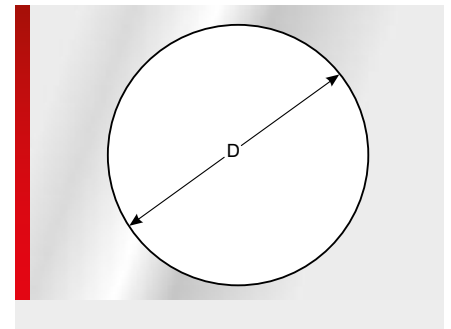
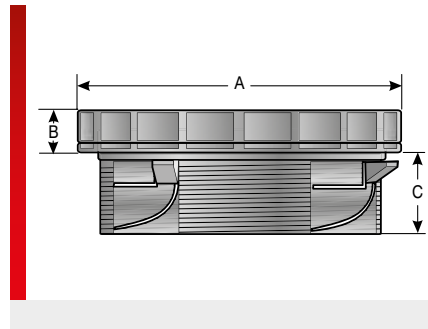
Type	Order No.	Colour	MOQ Pcs.
KDP/S-Z 16, sw, VE 5	87303064	Black	5
KDP/S-Z 16, sw, VE 50	87303065	Black	50
KDP/S-Z RI-2, sw, VE 25	87303094	Black	25

### Dimension table

Type	Order No.	A mm	B mm	a mm	b mm	c mm	d mm	e mm
KDP/S-Z 16, sw, VE 5	87303064	123.00	61.00	86.00	36.00	51.50	16.00	5.50
KDP/S-Z 16, sw, VE 50	87303065	123.00	61.00	86.00	36.00	51.50	16.00	5.50
KDP/S-Z RI-2, sw, VE 25	87303094	221.00	92.00	192.00	62.00	101.00	36.00	5.50



## KDP/R cable entry plate, round



### PRODUCT INFORMATION

Economical connection technology for tool-free wiring of equipment and machinery. Extremely quick mounting of cables and pneumatic conduits. The alternative to cable fittings. For snap-in fastening or screwing in place with a lock nut. Lock nut not included with delivery!

- For snapping into 1.5 – 2.0 mm plates
- Integrated seal
- Compact design
- High protection class

### SPECIFICATIONS

	-30 – 90 °C
	Frame: Polyamide 6.6 Seal: NBR / EPDM
	IP 65

Type	Order No.	Colour	No. openings	Openings quantity / Ø mm	Thread metric	MOQ Pcs.
KDP/R M50/04	87301030	Black	4	3x 6.0 – 10.0 1x 9.6 – 15.9	M50x1.5	1
KDP/R M50/06	87301032	Black	6	1x 3.0 – 5.5 5x 5.0 – 9.2	M50x1.5	1
KDP/R M50/08	87301034	Black	8	7x 3.5 – 6.5 1x 6.0 – 10.0	M50x1.5	1
KDP/R M50/31 <sup>1)</sup>	87301038	Black	31	31x 1.5 – 3.1	M50x1.5	1
KDP/R M63/08	87301040	Black	8	2x 3.0 – 6.5 4x 5.0 – 9.2 2x 9.6 – 15.9	M63x1.5	1
KDP/R M63/13	87301042	Black	13	6x 3.0 – 5.5 6x 3.5 – 6.5 1x 6.0 – 10.0	M63x1.5	1
KDP/R M63/19	87301044	Black	19	19x 3.0 – 5.0	M63x1.5	1
KDP/R M63/46 <sup>1)</sup>	87301048	Black	46	46x 1.5 – 3.1	M63x1.5	1

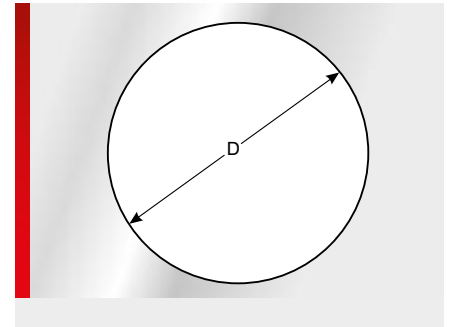
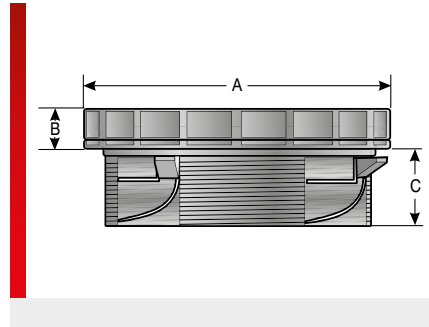
<sup>1)</sup> No UR-approval

### Dimension table

Type	Order No.	Installation height mm	a mm	b mm	c mm	d mm
KDP/R M50/04	87301030	9.00	58.00	9.00	24.00	50.50
KDP/R M50/06	87301032	9.00	58.00	9.00	24.00	50.50
KDP/R M50/08	87301034	9.00	58.00	9.00	24.00	50.50
KDP/R M50/31 <sup>1)</sup>	87301038	9.00	58.00	9.00	24.00	50.50



## KDP/R-KGM cable entry plate, round



### PRODUCT INFORMATION

Economical connection technology for tool-free wiring of equipment and machinery. Extremely quick mounting of cables and pneumatic conduits. The alternative to cable fittings. For snap-in fastening or screwing in place with a lock nut.

- For snapping into 1.5 – 2.0 mm plates
- Integrated seal
- Compact design
- High protection class
- Supply includes the lock nut

### SPECIFICATIONS

	-30 – 90 °C
	Frame: Polyamide 6.6 Seal: NBR / EPDM
	IP 65

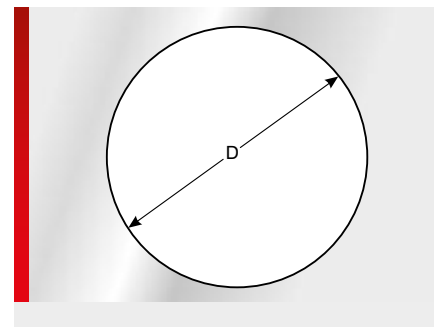
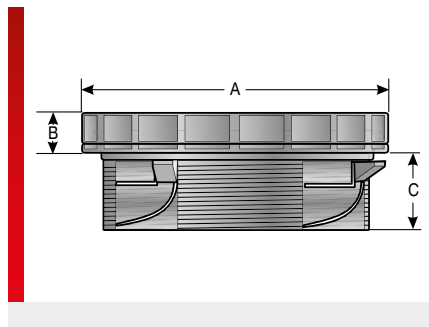
Type	Order No.	Colour	No. openings	Openings quantity / Ø mm	Thread metric	MOQ Pcs.
KDP/R-KGM M50/04	87301031	Black	4	3x 6.0 – 10.0 1x 9.6 – 15.9	M50x1.5	1
KDP/R-KGM M50/06	87301033	Black	6	1x 3.0 – 5.5 5x 5.0 – 9.2	M50x1.5	1
KDP/R-KGM M50/08	87301035	Black	8	7x 3.5 – 6.5 1x 6.0 – 10.0	M50x1.5	1
KDP/R-KGM M50/31	87301039	Black	31	31x 1.5 – 3.1	M50x1.5	1
KDP/R-KGM M63/08	87301041	Black	8	2x 3.0 – 6.5 4x 5.0 – 9.2 2x 9.6 – 15.9	M63x1.5	1
KDP/R-KGM M63/13	87301043	Black	13	6x 3.0 – 5.5 6x 3.5 – 6.5 1x 6.0 – 10.0	M63x1.5	1
KDP/R-KGM M63/19	87301045	Black	19	19x 3.0 – 5.0	M63x1.5	1
KDP/R-KGM M63/46	87301049	Black	46	46x 1.5 – 3.1	M63x1.5	1

### Dimension table

Type	Order No.	Installation height mm	a mm	b mm	c mm	d mm
KDP/R-KGM M50/04	87301031	9.00	58.00	9.00	24.00	50.50
KDP/R-KGM M50/06	87301033	9.00	58.00	9.00	24.00	50.50
KDP/R-KGM M50/08	87301035	9.00	58.00	9.00	24.00	50.50
KDP/R-KGM M50/31	87301039	9.00	58.00	9.00	24.00	50.50
KDP/R-KGM M63/08	87301041	9.00	71.00	9.00	25.00	63.50
KDP/R-KGM M63/13	87301043	9.00	71.00	9.00	25.00	63.50
KDP/R-KGM M63/19	87301045	9.00	71.00	9.00	25.00	63.50
KDP/R-KGM M63/46	87301049	9.00	71.00	9.00	25.00	63.50



## KDPR/F Cable entry plate, round



### PRODUCT INFORMATION

The KDPR/F cable entry plate is made of modified Polypropylene and is a round entry and fastening system for cables without plugs and pneumatic hoses such as those used in control cabinets, plant or machine construction. Wherever quick assembly, cable-protection and high packing density are required, this cable entry plate is used. Special benefits of the KDPR/F are:

- Enormous time savings in assembly
- High packing density
- Standardised cut-out dimensions
- Large wire diameter ranges
- Several cables may be fed through an opening together
- Very flat design

### SPECIFICATIONS

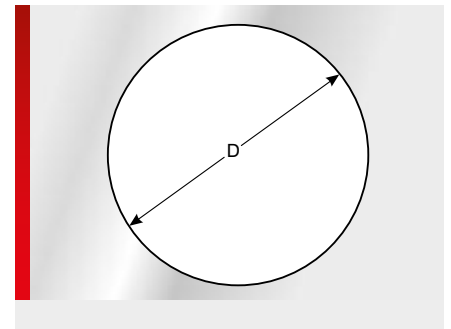
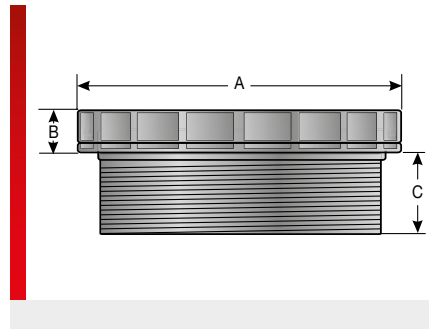
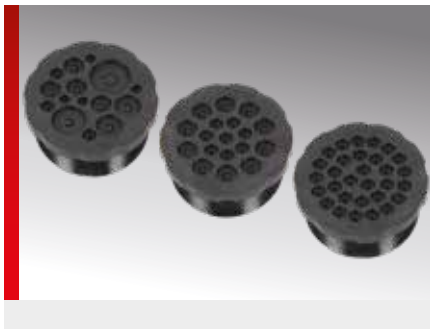
	-30 – 70 °C
	Frame: Polypropylene (PP) Seal: Thermoplastic elastomer (TPE)
	HB
	IP 65

Type	Order No.	Colour	Openings quantity / Ø mm	Thread metric	MOQ Pcs.
KDPR/F 40/8	87302072	Black	8x max. 8.5	M40x1.5	5
KDPR/F 40/multi	87302070	Black	2x max. 14.0	M40x1.5	5

### Dimension table

Type	Order No.	Installation height mm	b mm	d mm
KDPR/F 40/8	87302072	6.50	6.50	40.50
KDPR/F 40/multi	87302070	6.50	6.50	40.50

## KDP/ZR cable entry plate, round



### PRODUCT INFORMATION

The KDP/ZR cable entry plate is made of modified Polypropylene and is a round entry and fastening system for cables without plugs and pneumatic hoses such as those used in control cabinets, plant or machine construction. Wherever quick assembly, cable-protection and high packing density are required, this cable entry plate is used.

The special benefits of the KDP/ZR are:

- Enormous time savings in assembly
- High packing density
- Standardised cut-out dimensions
- Large wire diameter ranges
- Very flat design

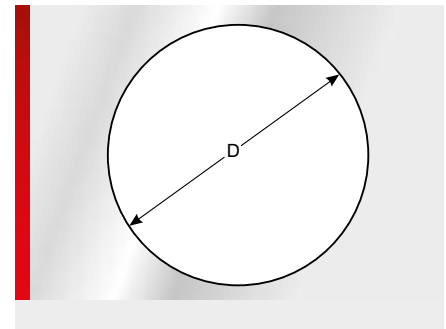
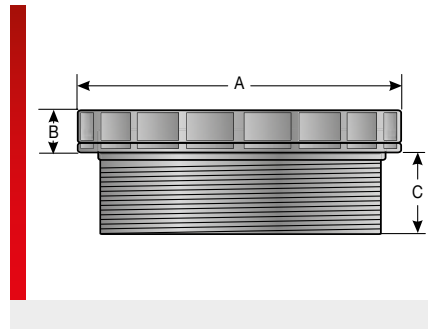
### SPECIFICATIONS

- 30 – 70 °C
- Frame: Polypropylene (PP)  
Seal: Thermoplastic elastomer (TPE)
- HB
- IP 65  
IP 66  
IP 67



Type	Order No.	Colour	No. openings	Openings quantity / Ø mm	Thread metric	MOQ Pcs.
<b>Short thread</b>						
KDP/ZR 40/6, KG	87303130	Black	6	1x 2.0 – 4.0	M40x1.5	5
				2x 3.0 – 6.0		
				2x 5.0 – 9.0		
				1x 7.5 – 12.0		
KDP/ZR 40/7, KG	87303132	Black	7	4x 3.0 – 6.0	M40x1.5	5
				3x 5.0 – 9.0		
KDP/ZR 50/10, KG	87303150	Black	10	2x 2.0 – 4.0	M50x1.5	5
				3x 3.0 – 6.0		
				3x 5.0 – 9.0		
				1x 7.5 – 12.0		
				1x 10.0 – 16.0		
KDP/ZR 50/10-1, KG	87303152	Black	10	3x 3.0 – 6.0	M50x1.5	5
				7x 5.0 – 9.0		
KDP/ZR 63/15, KG	87303170	Black	15	4x 2.0 – 4.0	M63x1.5	5
				3x 3.0 – 6.0		
				4x 5.0 – 9.0		
				2x 7.5 – 12.0		
				1x 10.0 – 16.0		
				1x 14.0 – 20.0		
KDP/ZR 63/18, KG	87303172	Black	18	8x 3.0 – 6.0	M63x1.5	5
				10x 5.0 – 9.0		
KDP/ZR 63/30, KG	87303174	Black	30	30x 3.0 – 6.0	M63x1.5	5

**KDP/ZR cable entry plate, round** (continued)



Type	Order No.	Colour	No. openings	Openings quantity / Ø mm	Thread metric	MOQ Pcs.
<b>Standard Thread</b>						
KDP/ZR 40/6	87303120	Black	6	1x 2.0 – 4.0 2x 3.0 – 6.0 2x 5.0 – 9.0 1x 7.5 – 12.0	M40x1.5	5
KDP/ZR 40/7	87303122	Black	7	4x 3.0 – 6.0 3x 5.0 – 9.0	M40x1.5	5
KDP/ZR 50/10	87303140	Black	10	2x 2.0 – 4.0 3x 3.0 – 6.0 3x 5.0 – 9.0 1x 7.5 – 12.0 1x 10.0 – 16.0	M50x1.5	5
KDP/ZR 50/10-1	87303142	Black	10	3x 6.0 – 9.0 7x 5.0 – 9.0	M50x1.5	5
KDP/ZR 63/15	87303160	Black	15	4x 2.0 – 4.0 3x 3.0 – 6.0 4x 5.0 – 9.0 2x 7.5 – 12.0 1x 10.0 – 16.0 1x 14.0 – 20.0	M63x1.5	5
KDP/ZR 63/18	87303162	Black	18	8x 3.0 – 6.0 10x 5.0 – 9.0	M63x1.5	5
KDP/ZR 63/30	87303164	Black	30	30x 3.0 – 6.0	M63x1.5	5

**Dimension table**

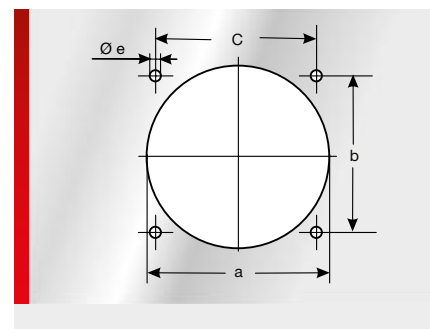
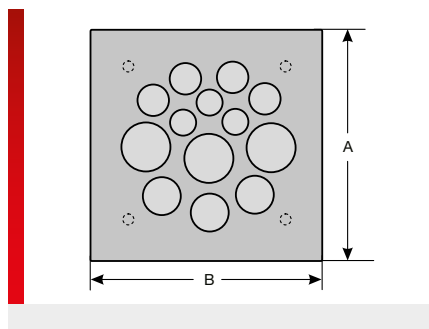
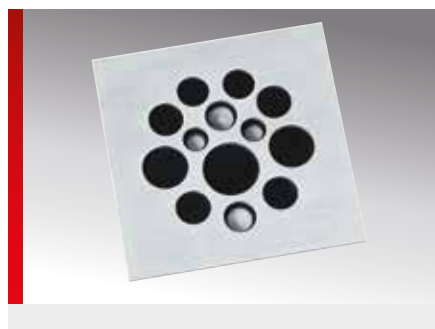
Type	Order No.	Installation height mm	a mm	b mm	c mm	d mm
<b>Short thread</b>						
KDP/ZR 40/6, KG	87303130	8.50	48.50	8.50	12.00	40.50
KDP/ZR 40/7, KG	87303132	8.50	48.50	8.50	12.00	40.50
KDP/ZR 50/10, KG	87303150	8.50	58.50	8.50	12.00	50.50
KDP/ZR 50/10-1, KG	87303152	8.50	58.50	8.50	12.00	50.50
KDP/ZR 63/15, KG	87303170	8.50	71.50	8.50	12.00	63.50
KDP/ZR 63/18, KG	87303172	8.50	71.50	8.50	12.00	63.50
KDP/ZR 63/30, KG	87303174	8.50	71.50	8.50	12.00	63.50





**KDP cablequick® cable entry plate, metal, rectangular**

## cablquick® Type 90 (90x90 mm)



### PRODUCT INFORMATION

Efficient connection technology for terminal boxes, control cabinets for tool-free introduction of actuators, sensors, measuring and control instrumentation, optoelectronic, pneumatic cables and drive technology into a control panel. The stainless steel version is particularly suitable for application in the food and chemical areas.

Integrated threaded bolts mean that no screws are visible from outside. Mounting set included in delivery.

- V4A: 1.4571
- ALU: 3.3535
- ST: 1.0037

### SPECIFICATIONS

	-30 – 90 °C
	Seal: NBR / EPDM
	IP 65

Type	Order No.	Colour	No. openings	Openings No. Ø mm	MOQ Pcs.
KDP 90/13 V4A	87663118	Smoothed	13	2x 3.0 – 6.2	1
				4x 4.5 – 8.5	
				4x 6.0 – 10.0	
				2x 9.0 – 14.0	
				1x 14.0 – 18.0	

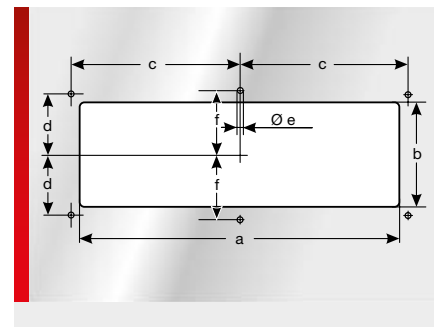
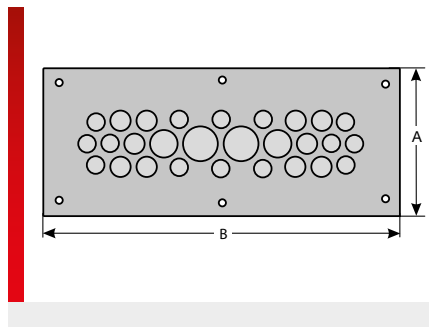
### Dimension table

Type	Order No.	A mm	B mm	a mm	b mm	c mm	e mm
KDP 90/13 V4A	87663118	90.00	90.00	75.00	64.00	64.00	4.50





## cablquick® Type 90 (90x221 mm)



### PRODUCT INFORMATION

Efficient connection technology for terminal boxes, control cabinets for tool-free introduction of actuators, sensors, measuring and control instrumentation, optoelectronic, pneumatic cables and drive technology into a control panel. The stainless steel version is particularly suitable for applications in the food and chemical industry.

Integrated threaded bolts mean that no screws are visible from outside. Mounting set included in delivery.

- V4A: 1.4571
- ALU: 3.3535
- ST: 1.0037
- Rittal cut-out 2

### SPECIFICATIONS

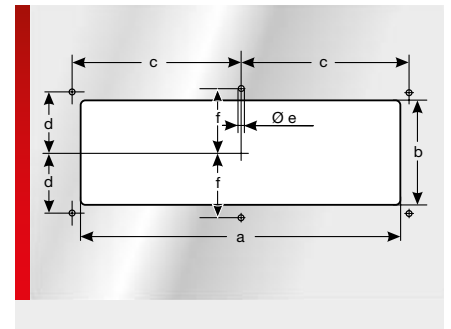
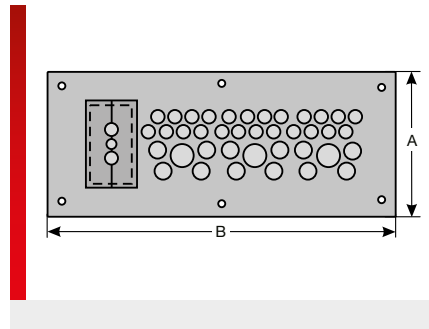
- 30 – 90 °C
- Seal: NBR / EPDM
- IP 65

Type	Order No.	Colour	No. openings	Openings No. Ø mm	MOQ Pcs.
KDP 90/18 V4A <sup>1)</sup>	87663028	Smoothed	18	9x 6.0 – 10.0	1
				8x 12.0 – 18.0	
				1x 18.0 – 25.0	
KDP 90/28 ALU	87663032	RAL 7035	28	14x 4.0 – 8.0	1
				10x 6.0 – 10.0	
				2x 9.0 – 14.0	
				2x 12.0 – 18.0	
KDP 90/28 V4A	87663034	Smoothed	28	14x 4.0 – 8.0	1
				10x 6.0 – 10.0	
				2x 9.0 – 14.0	
				2x 12.0 – 18.0	
KDP 90/47 ALU <sup>1)</sup>	87663037	RAL 7035	47	14x 3.5 – 6.5	1
				28x 4.5 – 8.5	
				4x 7.0 – 11.0	
				1x 11.0 – 16.0	
KDP 90/47 V4A <sup>1)</sup>	87663039	Smoothed	47	14x 3.5 – 6.5	1
				28x 4.5 – 8.5	
				4x 7.0 – 11.0	
				1x 11.0 – 16.0	
KDP 90/55 V4A	87663058	Smoothed	55	3x 3.0 – 5.0	1
				32x 3.0 – 6.2	
				16x 4.0 – 8.0	
				4x 8.0 – 12.0	

<sup>1)</sup> No UR-approval



## cablquick® Type 90+3 (90x221 mm)



### PRODUCT INFORMATION

Efficient connection technology for terminal boxes, control cabinets for tool-free introduction of actuators, sensors, measuring and control instrumentation, optoelectronic, pneumatic cables and drive technology into a control panel. The cut-out of the KDP 90/39+3 enables up to three pre-assembled cables with a maximum connector size of 48 x 24 mm to be introduced. The connector grommet is simply inserted into the plate and locked from behind by means of a quick-release lock.

The stainless steel version is particularly suitable for applications in the food and chemical industry. Integrated threaded bolts mean that no screws are visible from outside. Mounting set included in delivery.

- V4A: 1.4571
- ALU: 3.3535
- ST: 1.0037
- Rittal cut-out 2

### SPECIFICATIONS

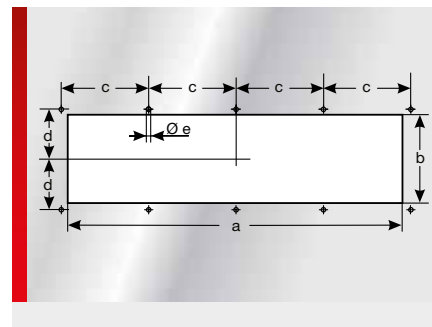
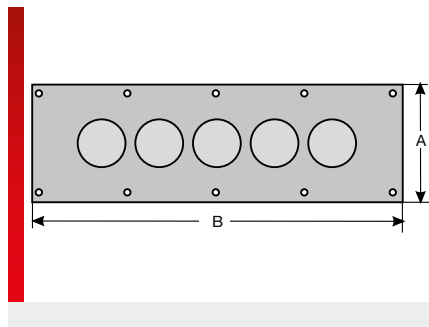
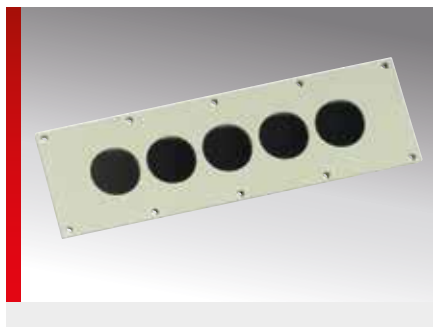
	-30 – 90 °C
	Seal: NBR / EPDM
	IP 65

Type	Order No.	Colour	No. openings	Openings No. Ø mm	MOQ Pcs.
KDP 90/39+3 ALU	87663036	RAL 7035	42	24x 3.0 – 6.0 12x 4.0 – 8.0 3x 8.0 – 12.0	1
KDP 90/39+3 V4A	87663038	Smoothed	42	24x 3.0 – 6.2 12x 4.0 – 8.0 3x 8.0 – 12.0	1

### Dimension table

Type	Order No.	A mm	B mm	a mm	b mm	c mm	d mm	e mm	f mm
KDP 90/39+3 ALU	87663036	90.00	221.00	192.00	62.00	101.00	36.00	4.50	38.00
KDP 90/39+3 V4A	87663038	90.00	221.00	192.00	62.00	101.00	36.00	4.50	38.00

## cablquick® Type 90 (90x294 mm)



### PRODUCT INFORMATION

Cable entry plate for insertion of power cables. Ideally suited for roof or floor openings at control cabinets.

The stainless steel version is particularly suitable for application in the food and chemical areas. Integrated threaded bolts mean that no screws are visible from outside. Mounting

set included in delivery.

- V4A: 1.4571
- ALU: 3.3535
- ST: 1.0037

### SPECIFICATIONS

	-30 – 90 °C
	Seal: NBR / EPDM
	IP 65

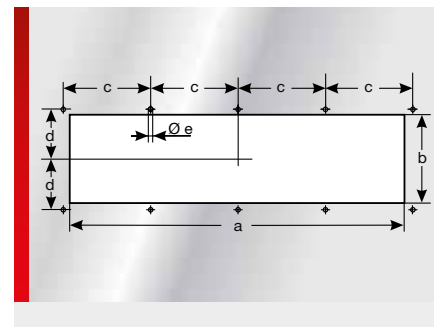
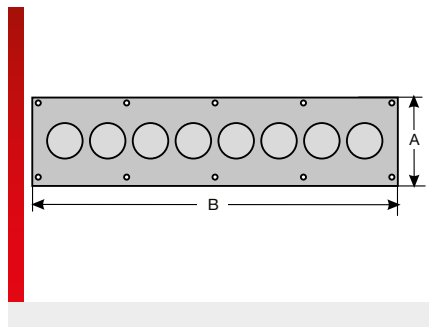
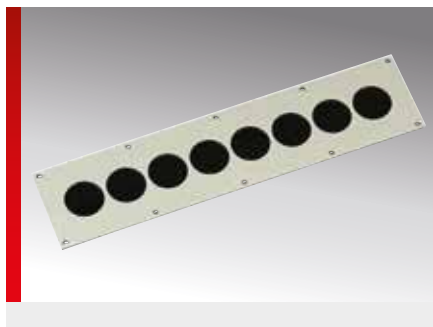
Type	Order No.	Colour	No. openings	Openings No. Ø mm	MOQ Pcs.
KDP 90/5 ALU <sup>1)</sup>	87663029	RAL 7035	5	5x 16.0 – 28.0	1

<sup>1)</sup> The maximum cable lug width of power cables is 32.0 mm

### Dimension table

Type	Order No.	A mm	B mm	a mm	b mm	c mm	d mm	e mm
KDP 90/5 ALU <sup>1)</sup>	87663029	90.00	294.00	271.00	71.00	70.00	39.50	5.50

## cablquick® Type 90 (90x394 mm)



### PRODUCT INFORMATION

Cable entry plate for insertion of power cables. Ideally suited for roof or floor openings at control cabinets.

The stainless steel version is particularly suitable for application in the food and chemical areas.

Integrated threaded bolts mean that no screws are visible from outside. Mounting set included in delivery.

- V4A: 1.4571
- ALU: 3.3535
- ST: 1.0037

### SPECIFICATIONS

	-30 – 90 °C
	Seal: NBR / EPDM
	IP 65

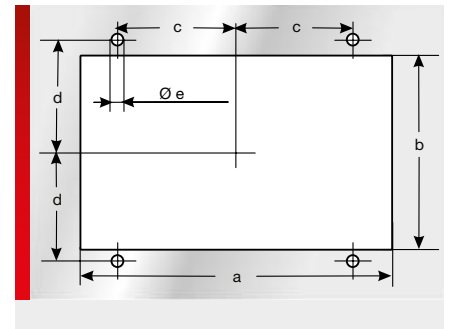
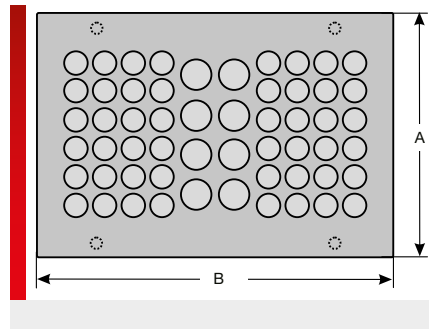
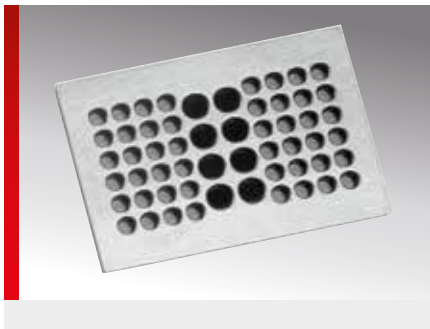
Type	Order No.	Colour	No. openings	Openings No. Ø mm	MOQ Pcs.
KDP 90/8 ALU <sup>1)</sup>	87663026	RAL 7035	8	8x 16.0 – 28.0	1

<sup>1)</sup> The maximum cable lug width of power cables is 32.0 mm

### Dimension table

Type	Order No.	A mm	B mm	a mm	b mm	c mm	d mm	e mm
KDP 90/8 ALU <sup>1)</sup>	87663026	90.00	394.00	371.00	71.00	95.00	39.50	5.50

## cablquick® Type 100 (100x145 mm)



### PRODUCT INFORMATION

Efficient connection technology for terminal boxes, control cabinets for tool-free introduction of actuators, sensors, measuring and control instrumentation, optoelectronic, pneumatic cables and drive technology into a control panel. KDPs of the product group 100 fits into standard cut-outs for Rittal and Sarel cabinets when combined with adapter plates. These adapter plates can be configured individually.

The stainless steel version is particularly suitable for applications in the food and chemical industry. Integrated threaded bolts mean that no screws are visible from outside. Mounting set included in delivery.

- V4A: 1.4571
- ALU: 3.3535
- ST: 1.0037

### SPECIFICATIONS

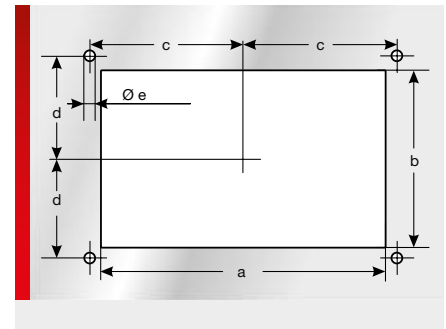
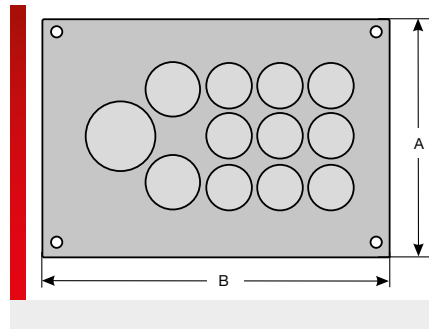
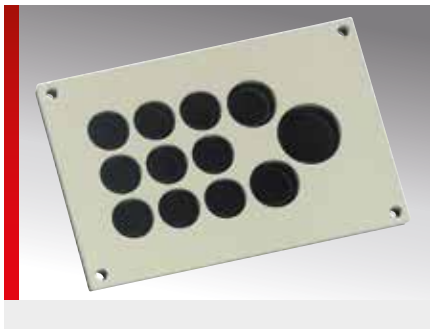
- 30 – 90 °C
- Seal: NBR / EPDM
- IP 65

Type	Order No.	Colour	No. openings	Openings No. Ø mm	MOQ Pcs.
KDP 100/6 V4A	87663116	Smoothed	6	6x 16.0 – 24.0	1
KDP 100/15 V4A	87663120	Smoothed	15	3x 8.0 – 12.0	1
				12x 11.0 – 16.0	
KDP 100/18 V4A	87663122	Smoothed	18	18x 8.0 – 12.0	1
KDP 100/24 V4A	87663124	Smoothed	24	24x 6.0 – 10.5	1
KDP 100/30 V4A	87663062	Smoothed	30	12x 3.5 – 6.2	1
				12x 6.0 – 10.0	
				6x 9.0 – 14.0	
KDP 100/30B V4A	87663063	Smoothed	30	12x 3.5 – 6.2	1
				12x 6.0 – 10.0	
				4x 9.0 – 14.0	
				2x 12.0 – 18.0	
KDP 100/40 V4A	87663061	Smoothed	40	40x 4.5 – 8.5	1
KDP 100/56 V4A	87663060	Smoothed	56	48x 3.5 – 6.2	1
				8x 6.0 – 10.0	
KDP 100/56B V4A	87663065	Smoothed	56	48x 1.0 – 3.5	1
				8x 3.5 – 6.5	
KDP 100/56C V4A	87663067	Smoothed	56	48x 1.0 – 3.5	1
				4x 3.5 – 6.5	
				4x 6.0 – 10.0	





## cablquick® Type 105 (105x155 mm)



### PRODUCT INFORMATION

Efficient connection technology for terminal boxes, control cabinets for tool-free introduction of actuators, sensors, measuring and control instrumentation, optoelectronic, pneumatic cables and drive technology into a control panel. KDPs of the product group 105 fits into standard cut-outs for Rittal and Sarel cabinets when combined with adapter plates. These adapter plates can be configured individually.

The stainless steel version is particularly suitable for applications in the food and chemical industry. Integrated threaded bolts mean that no screws are visible from outside. Mounting set included in delivery.

- V4A: 1.4571
- ALU: 3.3535
- ST: 1.0037

### SPECIFICATIONS

- 30 – 90 °C
- Seal: NBR / EPDM
- IP 65

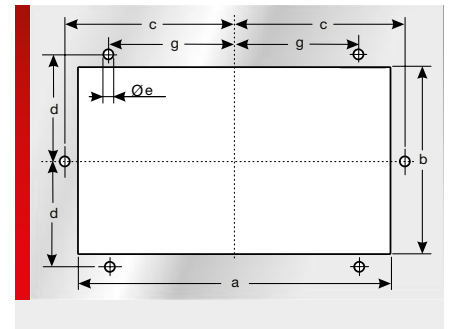
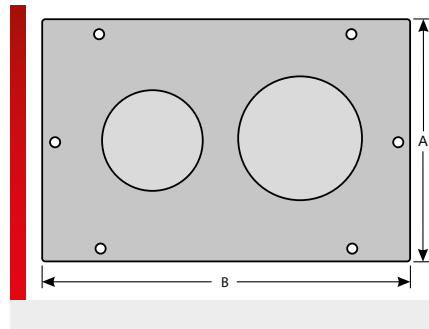
Type	Order No.	Colour	No. openings	Openings No. Ø mm	MOQ Pcs.
KDP 105/12 ALU	87663056	RAL 7035	12	9x 9.0 – 14.0	1
				2x 12.0 – 18.0	
				1x 18.0 – 25.0	
KDP 105/12 V4A	87663057	Smoothed	12	9x 9.0 – 14.0	1
				2x 12.0 – 18.0	
				1x 18.0 – 25.0	
KDP 105/15 ALU	87663014	RAL 7035	15	8x 6.0 – 10.0	1
				4x 9.0 – 16.0	
				3x 12.0 – 18.0	
KDP 105/15 V4A	87663016	Smoothed	15	8x 6.0 – 10.0	1
				4x 9.0 – 14.0	
				3x 12.0 – 18.0	
KDP 105/32 ALU	87663010	RAL 7035	32	16x 3.0 – 5.0	1
				12x 4.0 – 8.0	
				4x 6.0 – 10.0	
KDP 105/32 V4A	87663012	Smoothed	32	16x 3.0 – 5.0	1
				12x 4.0 – 8.0	
				4x 6.0 – 10.0	

### Dimension table

Type	Order No.	A mm	B mm	a mm	b mm	c mm	d mm	e mm
KDP 105/12 ALU	87663056	105.00	155.00	132.00	82.00	71.50	46.50	5.50
KDP 105/12 V4A	87663057	105.00	155.00	132.00	82.00	71.50	46.50	5.50
KDP 105/15 ALU	87663014	105.00	155.00	132.00	82.00	71.50	46.50	5.50



## cablquick® Type 120 (120x190 mm)



### PRODUCT INFORMATION

Tool-free, efficient connection technology for the electrical power sector. Performance cables and services are sealed and fed into control cabinets or junction boxes and are supported flexibly.

The stainless steel version is particularly suitable for application in the food and chemical areas.

Integrated threaded bolts mean that no screws are visible from outside. Mounting set included in delivery.

- V4A: 1.4571
- ALU: 3.3535
- ST: 1.0037

### SPECIFICATIONS

	-30 – 90 °C
	Seal: NBR / EPDM
	IP 65

Type	Order No.	Colour	No. openings	Openings No. Ø mm	MOQ Pcs.
KDP 120/17 V4A	87663143	Smoothed	17	6x 6.0 – 10.0	1
				4x 9.0 – 14.0	
				3x 12.0 – 18.0	
				4x 18.0 – 25.0	
KDP 120/2 B V4A	87663141	Smoothed	2	2x 36.0 – 49.0	1
KDP 120/2 C V4A	87663142	Smoothed	2	1x 18.0 – 36.0	1
				1x 36.0 – 49.0	
KDP 120/2 V4A	87663140	Smoothed	2	2x 18.0 – 36.0	1
KDP 120/35 V4A	87663144	Smoothed	35	8x 3.5 – 6.5	1
				18x 6.0 – 10.0	
				7x 9.6 – 15.9	
				2x 14.0 – 20.0	
KDP 120/2 ALU	87663001	RAL 7035	2	2x 18.0 – 36.0	1
KDP 120/2 B ALU	87663002	RAL 7035	2	2x 36.0 – 49.0	1
KDP 120/2 C ALU	87663003	RAL 7035	2	1x 18.0 – 36.0	1
				1x 36.0 – 49.0	
KDP 120/17 ALU	87663004	RAL 7035	17	6x 6.0 – 10.0	1
				4x 9.0 – 14.0	
				3x 12.0 – 18.0	
				4x 18.0 – 25.0	
KDP 120/35 ALU	87663005	RAL 7035	35	8x 3.5 – 6.5	1
				18x 6.0 – 10.0	
				7x 9.6 – 15.9	
				2x 14.0 – 20.0	

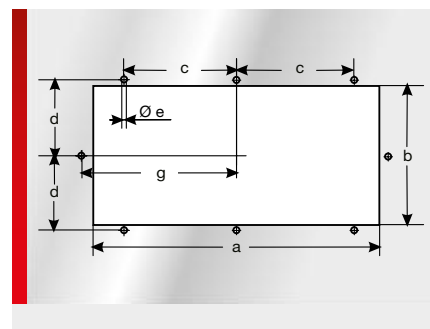
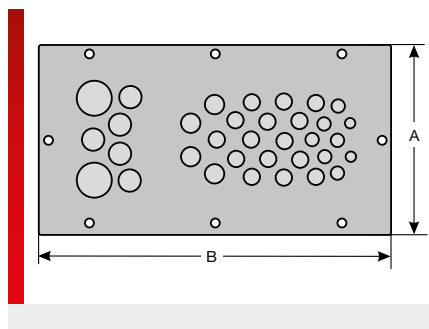


**cablquick® Type 120 (120x190 mm) (continued)**

**Dimension table**

<b>Type</b>	<b>Order No.</b>	<b>A mm</b>	<b>B mm</b>	<b>a mm</b>	<b>b mm</b>	<b>c mm</b>	<b>d mm</b>	<b>e mm</b>	<b>g mm</b>
KDP 120/17 V4A	87663143	120.00	190.00	164.00	94.00	88.00	53.00	5.50	65.00
KDP 120/2 B V4A	87663141	120.00	190.00	164.00	94.00	88.00	53.00	5.50	65.00
KDP 120/2 C V4A	87663142	120.00	190.00	164.00	94.00	88.00	53.00	5.50	65.00
KDP 120/2 V4A	87663140	120.00	190.00	164.00	94.00	88.00	53.00	5.50	65.00
KDP 120/35 V4A	87663144	120.00	190.00	164.00	94.00	88.00	53.00	5.50	65.00
KDP 120/2 ALU	87663001	120.00	190.00	164.00	94.00	88.00	53.00	5.50	65.00
KDP 120/2 B ALU	87663002	120.00	190.00	164.00	94.00	88.00	53.00	5.50	65.00
KDP 120/2 C ALU	87663003	120.00	190.00	164.00	94.00	88.00	53.00	5.50	65.00
KDP 120/17 ALU	87663004	120.00	190.00	164.00	94.00	88.00	53.00	5.50	65.00
KDP 120/35 ALU	87663005	120.00	190.00	164.00	94.00	88.00	53.00	5.50	65.00

## cablEquick® Type 134 (134x254 mm)



### PRODUCT INFORMATION

Efficient connection technology for terminal boxes, control cabinets for tool-free introduction of actuators, sensors, measuring and control instrumentation, optoelectronic, pneumatic cables and drive technology into a control panel.  
The stainless steel version is particularly suitable for application in the food and chemical areas.

Integrated threaded bolts mean that no screws are visible from outside. Mounting set included in delivery.

- V4A: 1.4571
- ALU: 3.3535
- ST: 1.0037

### SPECIFICATIONS

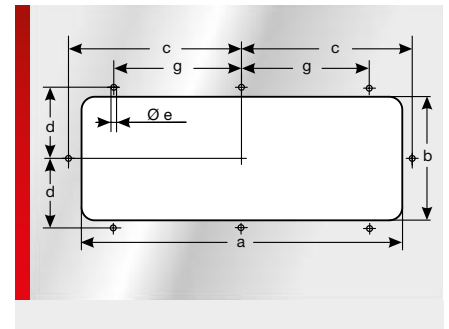
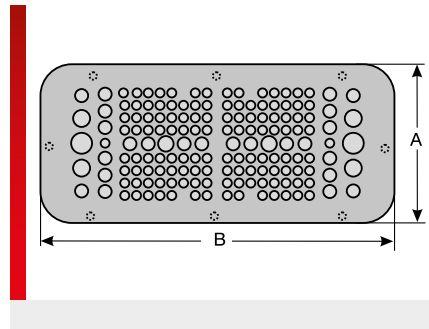
	-30 – 90 °C
	Seal: NBR / EPDM
	IP 65

Type	Order No.	Colour	No. openings	Openings No. Ø mm	MOQ Pcs.
KDP 134/34 ALU	87663024	RAL 7035	34	2x 3.0 – 5.0	1
				6x 4.0 – 8.0	
				15x 6.0 – 10.0	
				4x 8.0 – 12.0	
				5x 9.0 – 14.0	
				2x 14.0 – 20.0	

### Dimension table

Type	Order No.	A mm	B mm	a mm	b mm	c mm	d mm	e mm	g mm
KDP 134/34 ALU	87663024	134.00	254.00	231.00	111.00	90.50	61.00	5.50	121.00

## cablquick® Type 149 (149x339 mm)



### PRODUCT INFORMATION

Efficient connection technology for terminal boxes, control cabinets for tool-free introduction of actuators, sensors, measuring and control instrumentation, optoelectronic, pneumatic cables and drive technology into a control panel. KDPs of product group 149 can be fitted directly into the standard cut-outs of Rittal cabinets.

The stainless steel version is particularly suitable for applications in the food and chemical

industry. Integrated threaded bolts mean that no screws are visible from outside. Mounting set included in delivery.

V4A: 1.4571  
 ALU: 3.3535  
 ST: 1.0037  
 Rittal cut-out 4

### SPECIFICATIONS

- 30 – 90 °C
- Seal: NBR / EPDM
- IP 65

Type	Order No.	Colour	No. openings	Openings No. Ø mm	MOQ Pcs.
KDP 149/158, Alu	87663089	RAL 7035	158	126x 3.5 – 6.2	1
				24x 6.0 – 10.0	
				6x 8.0 – 12.0	
				2x 12.0 – 18.0	
KDP 149/56, Alu	87663097	RAL 7035	56	36x 6.0 – 10.0	1
				8x 9.0 – 14.0	
				8x 14.0 – 18.0	
				4x 18.0 – 25.0	
KDP 149/78 ST <sup>1)</sup>	87663771	RAL 7035	78	30x 3.5 – 6.5	1
				40x 6.0 – 10.0	
				4x 11.0 – 16.0	
				2x 12.0 – 18.0	
				2x 18.0 – 25.0	
KDP 149/56 V4A	87663086	Smoothed	56	36x 6.0 – 10.0	1
				8x 9.0 – 14.0	
				8x 14.0 – 18.0	
				4x 18.0 – 25.0	
KDP 149/158 V4A	87663068	Smoothed	158	126x 3.5 – 6.2	1
				24x 6.0 – 10.0	
				6x 8.0 – 12.0	
				2x 12.0 – 18.0	

<sup>1)</sup>No UR-approval

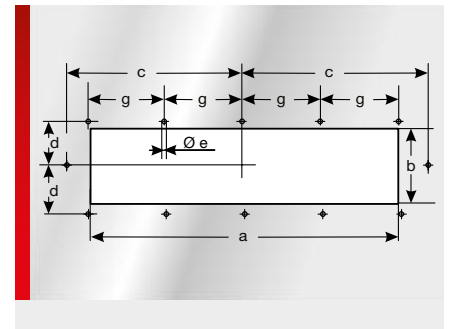
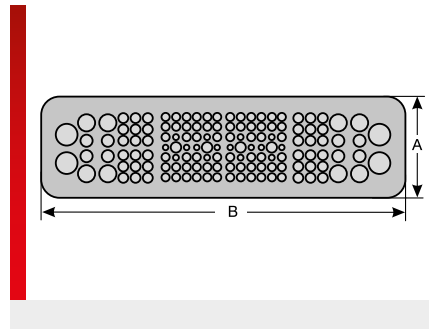
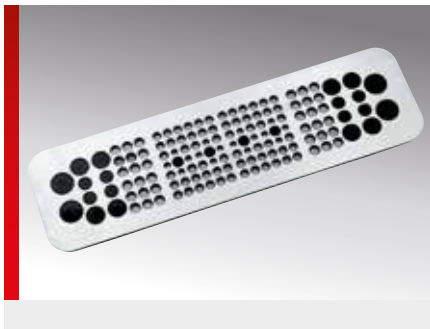
**cablequick® Type 149 (149x339 mm)** (continued)

**Dimension table**

Type	Order No.	A mm	B mm	a mm	b mm	c mm	d mm	e mm	g mm
KDP 149/158, Alu	87663089	149.00	339.00	303.00	115.00	161.50	66.50	5.00	120.00
KDP 149/56, Alu	87663097	149.00	339.00	303.00	115.00	161.50	66.50	5.00	120.00
KDP 149/78 ST <sup>1)</sup>	87663771	149.00	339.00	303.00	115.00	161.50	66.50	5.00	120.00
KDP 149/56 V4A	87663086	149.00	339.00	303.00	115.00	161.50	66.50	5.00	120.00
KDP 149/158 V4A	87663068	149.00	339.00	303.00	115.00	161.50	66.50	5.00	120.00



## cablquick® Type 149 (149x534 mm)



### PRODUCT INFORMATION

Efficient connection technology for terminal boxes, control cabinets for tool-free introduction of actuators, sensors, measuring and control instrumentation, optoelectronic, pneumatic cables and drive technology into a control panel. KDPs of product group 149 can be fitted directly into the standard cut-outs of Rittal cabinets.

The stainless steel version is particularly suitable for application in the food and chemical

areas. Integrated threaded bolts mean that no screws are visible from outside. Mounting set included in delivery.

- V4A: 1.4571
- ALU: 3.3535
- ST: 1.0037
- Rittal cut-out 5

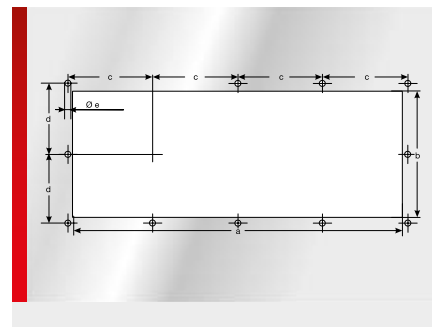
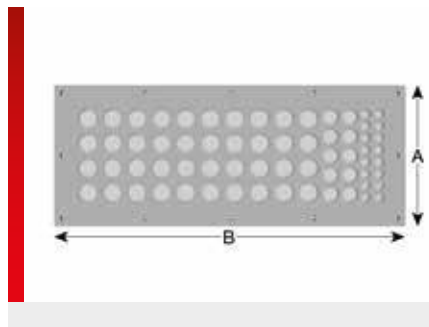
### SPECIFICATIONS

- 30 – 90 °C
- Seal: NBR / EPDM
- IP 65

Type	Order No.	Colour	No. openings	Openings No. Ø mm	MOQ Pcs.
KDP 149/140 ALU	87663095	RAL 7035	140	16x 3.5 – 6.2	1
				64x 4.5 – 8.5	
				36x 6.0 – 10.0	
				4x 8.0 – 12.0	
				8x 9.0 – 14.0	
				8x 14.0 – 18.0	
KDP 149/292 ALU	87663079	RAL 7035	292	4x 18.0 – 25.0	1
				250x 3.5 – 6.2	
				32x 6.0 – 10.0	
				8x 8.0 – 12.0	
				2x 12.0 – 18.0	
KDP 149/46 ALU	87663064	RAL 7035	46	8x 6.0 – 10.0	1
				16x 10.0 – 14.0	
				18x 12.0 – 18.0	
				4x 18.0 – 25.0	
KDP 149/140 V4A	87663088	Smoothed	140	16x 3.5 – 6.2	1
				64x 4.5 – 8.5	
				36x 6.0 – 10.0	
				4x 8.0 – 12.0	
				8x 9.0 – 14.0	
				8x 14.0 – 18.0	
KDP 149/292 V4A	87663066	Smoothed	292	4x 18.0 – 25.0	1
				250x 3.5 – 6.2	
				32x 6.0 – 10.0	
				8x 8.0 – 12.0	
				2x 12.0 – 18.0	



## cablquick® Type 160 (160x400 mm)



### PRODUCT INFORMATION

Efficient connection technology for terminal boxes, control cabinets for tool-free introduction of actuators, sensors, measuring and control instrumentation, optoelectronic, pneumatic cables and drive technology into a control panel.  
The stainless steel version is particularly suitable for application in the food and chemical

areas. Integrated threaded bolts mean that no screws are visible from outside. Mounting set included in delivery.

- V4A: 1.4571
- ALU: 3.3535
- ST: 1.0037

### SPECIFICATIONS

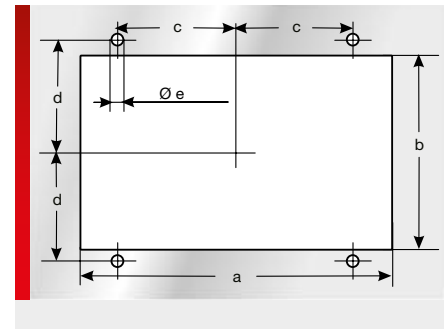
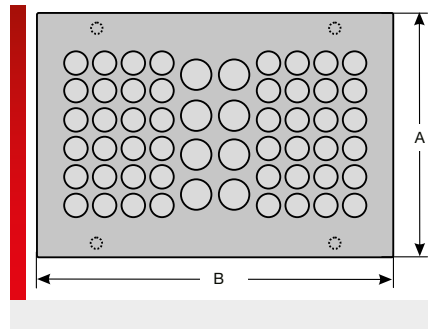
- 30 – 90 °C
- Seal: NBR / EPDM
- IP 65

Type	Order No.	Colour	Openings No. Ø mm	MOQ Pcs.
KDP 160/66 ALU	87663761	RAL 7035	16x 3.5 – 6.5	1
			10x 9.0 – 14.0	
			40x 12.0 – 18.0	

### Dimension table

Type	Order No.	A mm	B mm	a mm	b mm	c mm	d mm	e mm
KDP 160/66 ALU	87663761	400.00	160.00	366.00	125.00	95.50	71.00	5.50

## cablquick® FDA Type 100 (100x145 mm)



### PRODUCT INFORMATION

Efficient connection technology for terminal boxes, control cabinets for tool-free introduction of actuators, sensors, measuring and control instrumentation, optoelectronic, pneumatic cables and drive technology into a control panel. KDPs of the product group 100 fits into standard cut-outs for Rittal and Sarel cabinets when combined with adapter plates. These adapter plates can be configured individually.

The FDA stainless steel version is particularly suitable for use in the food and pharmaceutical sectors. Integrated threaded bolts mean that no screws are visible from outside. Mounting set included in delivery.

- V4A: 1.4571
- FDA compliant

### SPECIFICATIONS

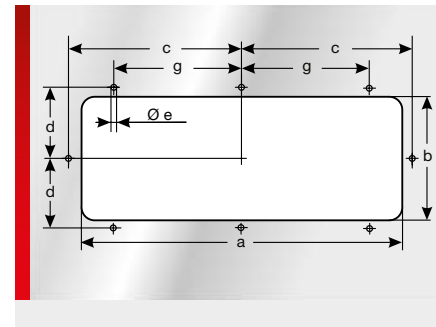
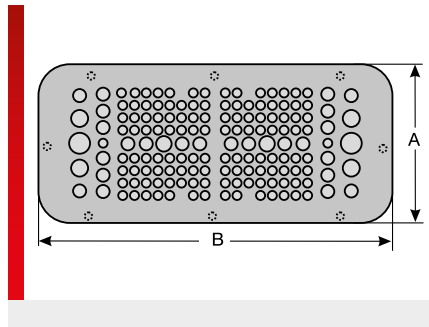
- Seal: EPDM
- 30 – 90 °C
- IP 65
- RoHS
- FDA
- Made in Switzerland

Type	Order No.	Colour	No. openings	Openings No. Ø mm	MOQ Pcs.
cablquick® KDP 100/18, V4A FDA	87663958	Smoothed	18	18x 8.00 – 12.00	1
cablquick® KDP 100/24, V4A FDA	87663957	Smoothed	24	24x 6.00 – 10.50	1
cablquick® KDP 100/30, V4A FDA	87663950	Smoothed	30	12x 3.50 – 6.20	1
				12x 6.00 – 10.00	
				4x 9.00 – 14.00	
				2x 12.00 – 18.00	
cablquick® KDP 100/40, V4A FDA	87663956	Smoothed	40	40x 4.50 – 8.50	1
cablquick® KDP 100/56, V4A FDA	87663953	Smoothed	56	48x 3.50 – 6.20	1
				8x 6.00 – 10.00	

### Dimension table

Type	Order No.	A mm	B mm	a mm	b mm	c mm	d mm	e mm
cablquick® KDP 100/18, V4A FDA	87663958	100.00	145.00	132.00	82.00	50.00	45.00	4.50
cablquick® KDP 100/24, V4A FDA	87663957	100.00	145.00	132.00	82.00	50.00	45.00	4.50
cablquick® KDP 100/30, V4A FDA	87663950	100.00	145.00	132.00	82.00	50.00	45.00	4.50
cablquick® KDP 100/40, V4A FDA	87663956	100.00	145.00	132.00	82.00	50.00	45.00	4.50
cablquick® KDP 100/56, V4A FDA	87663953	100.00	145.00	132.00	82.00	50.00	45.00	4.50

## cablequick® FDA Type 149 (149x339 mm)



### PRODUCT INFORMATION

Efficient connection technology for terminal boxes, control cabinets for tool-free introduction of actuators, sensors, measuring and control instrumentation, optoelectronic, pneumatic cables and drive technology into a control panel. KDPs of product group 149 fit into the standard cut-outs of Rittal terminal boxes.

The FDA stainless steel version is particularly suitable for use in the food and pharmaceutical sectors. Integrated threaded bolts mean that no screws are visible from outside. Mounting set included in delivery.

- V4A: 1.4571
- FDA compliant

### SPECIFICATIONS

	-30 – 90 °C
	Seal: EPDM
	IP 65

RoHS

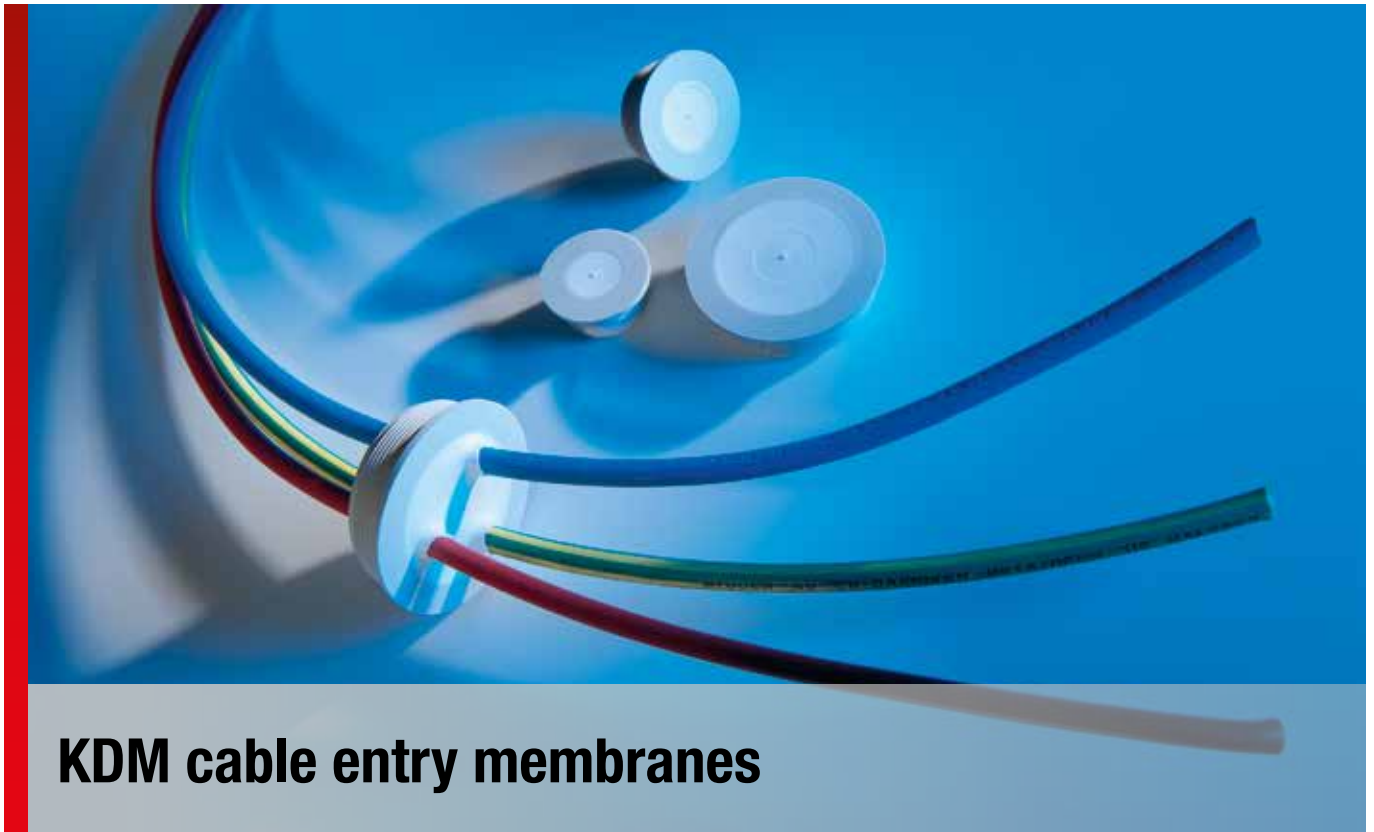
FDA

Made in Switzerland

Type	Order No.	Colour	No. openings	Openings No. Ø mm	MOQ Pcs.
cablequick® KDP 149/158, V4A FDA	87663951	Smoothed	158	126x 3.5	1
				24x 6.0	
				6x 8.0	
				2x 12.0	

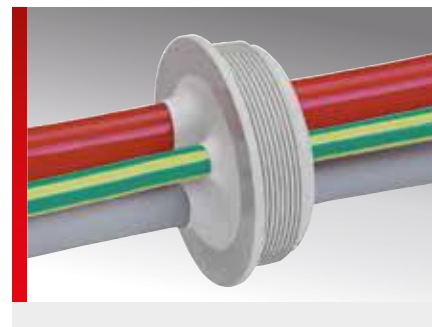
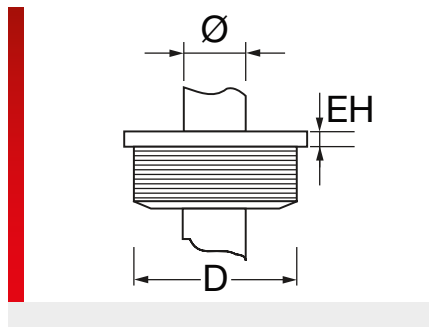
### Dimension table

Type	Order No.	A mm	B mm	a mm	b mm	c mm	d mm	e mm	g mm
cablequick® KDP 149/158, V4A FDA	87663951	149.00	339.00	303.00	115.00	161.50	66.50	5.00	120.00



## **KDM cable entry membranes**

## KDM cable entry membrane



### PRODUCT INFORMATION

KDM is a cable entry system for cables without plug connectors. The various sizes fit on metric cut-outs from M16 to M32.

- Easy no-tool push-fit installation
- Extremely high tightness IP66
- Very flexible diameter ranges (more than one cable option)
- Fits on standard cut-outs of M16 to M32

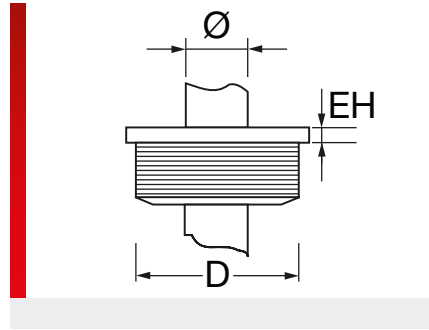
### SPECIFICATIONS

	-40 – 80 °C
	Housing: Polyethylene Seal: Thermoplastic elastomer (TPE)
	IP 66 from plate thickness of 2.0 mm IP 65 for plate thickness of 1.5-2.0 mm
	RoHS

Type	Order No.	Colour	For Ø mm	EH mm	D mm	MOQ Pcs.
KDM M16	87401010	Grey	1 – 9	1.50	16.20	50
KDM M20	87401012	Grey	1 – 13	1.50	20.40	50
KDM M25	87401014	Grey	1 – 18	1.50	25.40	50
KDM M32	87401016	Grey	1 – 25	1.50	32.50	50



## KDM/F cable entry membrane



### PRODUCT INFORMATION

The KDM/F is a self-extinguishing cable entry system for cables without plug connectors. The various sizes fit on metric cut-outs from M16 to M32.

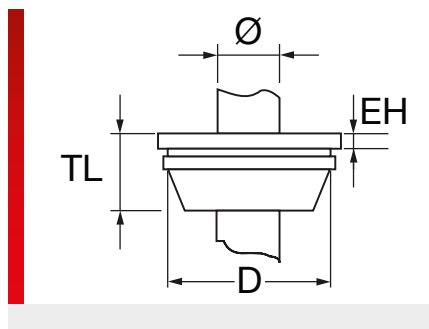
- Easy no-tool push-fit installation
- Extremely high tightness IP66
- Very flexible diameter ranges (more than one cable option)
- Self-extinguishing material per UL94 V2
- Fits on standard cut-outs of M16 to M32

### SPECIFICATIONS

	-40 – 80 °C
	Housing: Polyethylene Seal: Thermoplastic elastomer (TPE)
	V2
	IP 66 from plate thickness of 2.0 mm IP 65 for plate thickness of 1.5-2.0 mm
	RoHS
	LABS
	UV

Type	Order No.	Colour	For Ø mm	EH mm	D mm	MOQ Pcs.
KDM/F M16	87401050	Cream	1 – 9	1.50	16.20	50
KDM/F M20	87401052	Cream	1 – 13	1.50	20.40	50
KDM/F M25	87401054	Cream	1 – 18	1.50	25.40	50
KDM/F M32	87401056	Cream	1 – 25	1.50	32.50	50

## Type KDM/G cable entry membrane



### PRODUCT INFORMATION

KDM/G is a cable entry system for cables without plug connectors. The various sizes fit on metric cut-outs from M12 to M50 and are specially designed for cable diameters 4 – 35 mm.

- Easy no-tool push-fit installation
- Extremely high tightness IP66/67
- Fits on standard cut-outs of M12 to M50
- High temperature stability

### SPECIFICATIONS

- 40 – 110 °C
- EPDM
- IP 66 for plate thickness of 1.0-4.0 mm  
IP 67 for plate thickness of 1.0-4.0 mm
- 

Type	Order No.	Colour	For Ø mm	EH mm	TL mm	D mm	MOQ Pcs.
KDM/G M12	87401020	Grey	4 – 7	7.00	13.00	12.20	50
KDM/G M16	87401022	Grey	5 – 10	7.00	18.00	16.20	50
KDM/G M20	87401024	Grey	8 – 13	7.00	20.00	20.40	50
KDM/G M25	87401026	Grey	11 – 17	7.00	21.50	25.40	50
KDM/G M32	87401028	Grey	15 – 21	7.00	25.00	32.50	50
KDM/G M40	87401030	Grey	19 – 27	8.00	30.00	40.50	25
KDM/G M50	87401032	Grey	28 – 35	9.50	35.00	50.50	10



## Cable entry systems for railway technology

## RAS room integrity set




### PRODUCT INFORMATION

The RAS Room integrity set is used in conjunction with the cable entry KDL/C or KDL/D and KDL/H. Because the system can be split apart the RAS room integrity system can be completely retrofitted on the inside of the housing. The fire protection mat reacts at temperatures exceeding 160°C by expanding and thereby closing off the opening completely fire resistant.

Special benefits of the RAS room integrity system are:

- Approved for railway technology (EN 45545-2 / 3x HL3)
- Room integrity (firewall)
- Completely splittable system
- Quick and easy assembly

### SPECIFICATIONS

 Frame: Polyamide 6

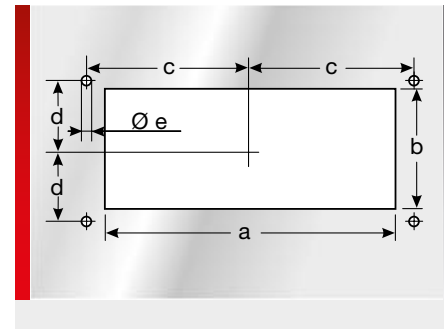
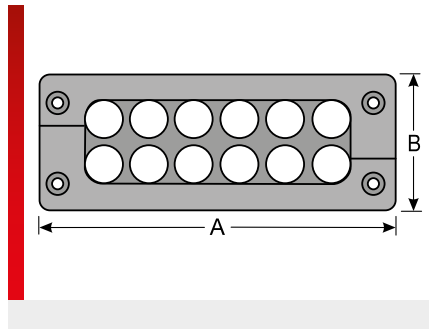


Type	Order No.	Colour	Suitable for	MOQ Pcs.
RAS 24/12	87141111	Black	KDL/D 24/12	1
RAS 24/9	87141123	Black	KDL/D 24/9	1
RAS 24/8	87141119	Black	KDL/D 24/8	1
RAS 24/4	87141115	Black	KDL/D 24/4	1
RAS 16/8	87141127	Black	KDL/D 16/8	1
RAS 16/7	87141131	Black	KDL/D 16/7	1
RAS 16/3	87141135	Black	KDL/D 16/3	1
RAS 10/6	87141137	Black	KDL/D 10/6	1
RAS 10/5	87141143	Black	KDL/D 10/5	1
RAS 10/2	87141140	Black	KDL/D 10/2	1

### Dimension table

Type	Order No.	Installation height mm	A mm	B mm
RAS 24/12	87141111	15.00	148.00	58.00
RAS 24/9	87141123	15.00	148.00	58.00
RAS 24/8	87141119	15.00	148.00	58.00
RAS 24/4	87141115	15.00	148.00	58.00
RAS 16/8	87141127	15.00	121.00	58.00
RAS 16/7	87141131	15.00	121.00	58.00
RAS 16/3	87141135	15.00	121.00	58.00
RAS 10/6	87141137	15.00	101.00	58.00
RAS 10/5	87141143	15.00	101.00	58.00
RAS 10/2	87141140	15.00	101.00	58.00

## KDL/D-EN cable entry system



### PRODUCT INFORMATION

The KDL/D-EN cable entry systems is designed for inserting pre-assembled cables. The KDL/D-EN system is a splittable system that enables the quick and simple installation of up to 12 pre-assembled cables with a high packing density in control cabinets and terminal boxes.

Special benefits of the KDL/D-EN are:

- Approved for railway technology (EN 45545-2 / 3x HL3)
- Cable infeed without interruption
- Standardised cut-out dimensions
- Easy assembly
- High protection class to IP 65
- Very robust construction
- Integrated strain relief

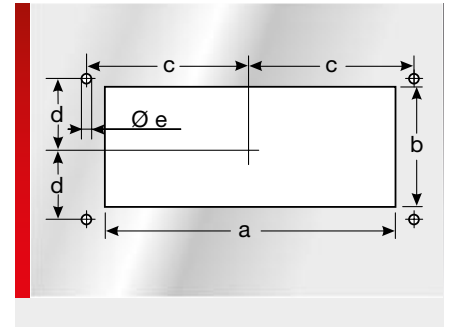
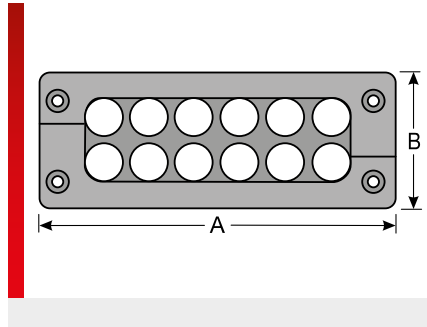
### SPECIFICATIONS

- 30 – 100 °C
- Frame: Polyamide  
Block: Thermoplastic elastomer (TPE)
- V0
- IP 65 (with suitable grommets and cables)

Type	Order No.	Colour	No. openings Small / medium / large	MOQ Pcs.
<b>For standard cut-out size 24</b>				
KDL/D-EN 24/12	87141110	Black	12 / 0	1
KDL/D-EN 24/9	87141122	Black	8 / 1	1
KDL/D-EN 24/8	87141118	Black	6 / 2	1
KDL/D-EN 24/4	87141114	Black	0 / 4	1
<b>For standard cut-out size 16</b>				
KDL/D-EN 16/8	87141126	Black	8 / 0	1
KDL/D-EN 16/7	87141130	Black	6 / 1	1
KDL/D-EN 16/3	87141134	Black	0 / 3	1
<b>For standard cut-out size 10</b>				
KDL/D-EN 10/6	87141138	Black	6 / 0	1
KDL/D-EN 10/5	87141142	Black	4 / 1	1
KDL/D-EN 10/2	87141139	Black	0 / 2	1
<b>For standard cut-out size 6</b>				
KDL/D-EN 6/4	87141144	Black	4 / 0	1
<b>Special size</b>				
KDL/D-EN 1/6	87141148	Black	6 / 0	1



## KDL/H-EN cable entry system



### PRODUCT INFORMATION

KDL/H is manufactured in a zinc die-cast process and is designed for feed-through of pre-assembled cables. The KDL/H system is a splittable system that enables the quick and easy installation of up to 48 pre-assembled cables with a high packing density in control cabinets and terminal boxes.

Special benefits of the KDL/H are:

- Cable infeed without interruption
- Approved for railway technology (EN 45545-2 / 3x HL3)
- Standardised cut-out dimensions
- Easy assembly
- High protection category to IP 69K (in combination with the proper enclosure)
- Very robust construction
- Integrated strain relief
- Matching grommet: KDT/X-EN

### SPECIFICATIONS

- 30 – 100 °C
- Frame: ZN  
Block: Thermoplastic elastomer (TPE)  
Frame: Aluminium
- IP 66/67 (with suitable grommets and cables)

RoHS
 LABS
 ISO 4892-2
 EU
 Made in Germany

Type	Order No.	Colour	No. openings			MOQ Pcs.
			Small	medium	large	
<b>For standard cut-out size 24</b>						
KDL/H-EN 24/12	87141510	Black	12	0	0	1

### Dimension table

Type	Order No.	Installation height mm	A mm	B mm	a mm	b mm	c mm	d mm	e mm
<b>For standard cut-out size 24</b>									
KDL/H-EN 24/12	87141510	18.00	148.00	58.00	112.00	36.00	65.00	16.00	5.50

KDH



## KDT/X-EN cable entry grommet






### PRODUCT INFORMATION






For example, in conjunction with the KDL/D-EN and KDL/H-EN cable entry systems, the KDT/X-EN cable entry grommets can be used to easily route pre-assembled cables into and through control cabinets. The grommet is 1-piece and is subsequently positioned around the cable.

- Approved for railway technology (EN 45545-2 / 3x HL3)

### SPECIFICATIONS

	-30 – 100 °C
	Thermoplastic elastomer (TPE)
	V0

				
--	--	--	--	--

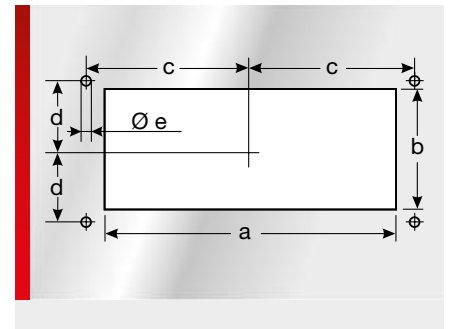
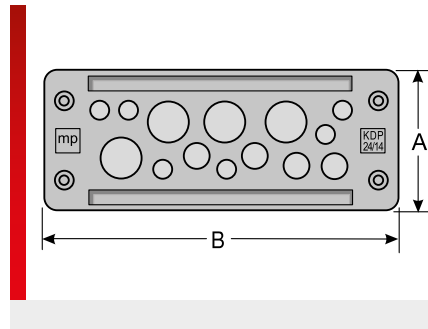
Type	Order No.	Colour	For Ø mm	For opening Small / medium / large	No. of openings	MOQ Pcs.
<b>Grommet, small</b>						
KDT/X-EN 02	87141310	Black	2 – 3	• / - / -	1	12
KDT/X-EN 03	87141312	Black	3 – 4	• / - / -	1	12
KDT/X-EN 04	87141314	Black	4 – 5	• / - / -	1	12
KDT/X-EN 05	87141316	Black	5 – 6	• / - / -	1	12
KDT/X-EN 06	87141318	Black	6 – 7	• / - / -	1	12
KDT/X-EN 07	87141320	Black	7 – 8	• / - / -	1	12
KDT/X-EN 08	87141322	Black	8 – 9	• / - / -	1	12
KDT/X-EN 09	87141324	Black	9 – 10	• / - / -	1	12
KDT/X-EN 10	87141326	Black	10 – 11	• / - / -	1	12
KDT/X-EN 11	87141328	Black	11 – 12	• / - / -	1	12
BTK/X-EN dummy grommet	87141370	Black		• / - / -		12
<b>Grommet, medium</b>						
KDT/X-EN 12	87141330	Black	12 – 13	- / • / -	1	4
KDT/X-EN 13	87141332	Black	13 – 14	- / • / -	1	4
KDT/X-EN 14	87141334	Black	14 – 15	- / • / -	1	4
KDT/X-EN 15	87141336	Black	15 – 16	- / • / -	1	4
KDT/X-EN 16	87141338	Black	16 – 17	- / • / -	1	4
KDT/X-EN 17	87141340	Black	17 – 18	- / • / -	1	4
KDT/X-EN 18	87141342	Black	18 – 19	- / • / -	1	4
KDT/X-EN 19	87141344	Black	19 – 20	- / • / -	1	4
KDT/X-EN 20	87141346	Black	20 – 21	- / • / -	1	4
KDT/X-EN 21	87141348	Black	21 – 22	- / • / -	1	4
BTG/X-EN dummy grommet	87141366	Black		- / • / -		4

## KDT/X-EN cable entry grommet (continued)

Type	Order No.	Colour	For Ø mm	For opening Small / medium / large	No. of openings	MOQ Pcs.
<b>Grommet, large</b>						
KDT/X-EN 22	87141350	Black	22 – 23	- / - / •	1	4
KDT/X-EN 23	87141352	Black	23 – 24	- / - / •	1	4
KDT/X-EN 24	87141354	Black	24 – 25	- / - / •	1	4
KDT/X-EN 25	87141356	Black	25 – 26	- / - / •	1	4
KDT/X-EN 26	87141358	Black	26 – 27	- / - / •	1	4
KDT/X-EN 27	87141360	Black	27 – 30	- / - / •	1	4
KDT/X-EN 28	87141362	Black	28 – 29	- / - / •	1	4
KDT/X-EN 29	87141364	Black	29 – 30	- / - / •	1	4
<b>Multi-line grommet 4-line</b>						
KDT/X-EN 4x4 <sup>1)</sup>	87141394	Black		• / - / -	4	12

<sup>1)</sup>No UR-approval / unused openings can be closed off with type VST sealing plugs

## KDP/EN cable entry plate, plastic



### PRODUCT INFORMATION

The KDP/EN 24 cable entry plates are made of modified Polyamide 6 and are cable entry and retaining systems for cables and pneumatic hoses, used in control cabinets or plant construction specifically in the railway industry. Wherever quick assembly, cable-protecting and high packing density are required, the cable insertion system is used.

The special benefits of the KDP/EN 24 are:

- Enormous time savings in assembly
- High packing density
- Standardised cut-out dimensions
- Option of labelling
- Protection category IP 65
- Approved for railway technology (EN 45545-2 / 3x HL3)

### SPECIFICATIONS

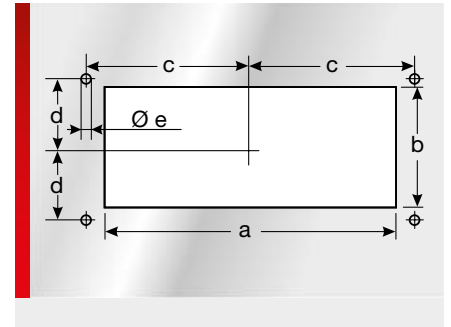
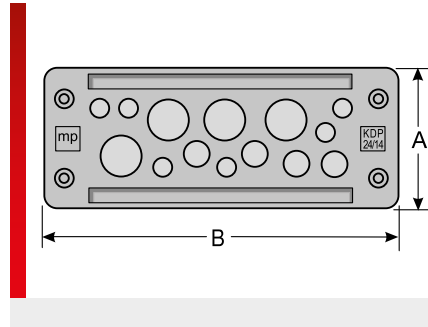
- 30 – 70 °C
- Housing: Polyamide 6  
Seal: EPDM
- V0
- IP 65

RoHS
 LABS
 ISO 4892-2
 EU
 Made in Germany

Type	Order No.	Colour	No. openings	Openings quantity / Ø mm	MOQ Pcs.
KDP/EN 24/11	87301210	Black	11	4x 3.0 – 6.5	1
				4x 5.0 – 9.2	
				3x 14.0 – 20.0	
KDP/EN 24/12	87301220	Black	12	12x 8.0 – 12.0	1
KDP/EN 24/13	87301230	Black	13	2x 3.0 – 5.5	1
				6x 4.1 – 8.1	
				4x 9.0 – 14.0	
				1x 14.0 – 20.0	
KDP/EN 24/14	87301240	Black	14	6x 3.0 – 6.5	1
				4x 5.0 – 9.2	
				4x 9.6 – 15.9	
KDP/EN 24/17	87301250	Black	17	17x 5.0 – 9.2	1
KDP/EN 24/17-1	87301251	Black	17	11x 3.0 – 6.5	1
				1x 4.1 – 8.1	
				5x 8.0 – 12.5	
KDP/EN 24/22	87301260	Black	22	16x 3.0 – 6.5	1
				4x 5.0 – 9.2	
				2x 8.0 – 12.5	
KDP/EN 24/23	87301270	Black	23	23x 4.1 – 8.1	1
KDP/EN 24/29	87301280	Black	29	29x 3.0 – 6.5	1
KDP/EN 24/80	87301290	Black	80	78x 1.5 – 2.6	1
				2x 2.5 – 5.0	



## KDP/EN-RA cable entry plate, plastic



### PRODUCT INFORMATION

The KDP/EN-RA 24 cable entry plates are made of modified Polyamide 6 and are cable entry and retaining systems for cables and pneumatic hoses, used in control cabinets or plant construction specifically in the railway industry. The fire protection mat, enclosed in the supply, reacts at temperatures exceeding 160°C by expanding and thereby closing off the opening completely fire resistant. Whenever quick assembly, cable-protecting and high packing density are required, the cable insertion system is used.

Special benefits of the KDP/EN-RA 24 are:

- Enormous time savings in assembly
- High packing density
- Standardised cut-out dimensions
- Option of labelling
- Protection category IP 65
- Room integrity (firewall)
- Approved for railway technology (EN 45545-2 / 3x HL3)

### SPECIFICATIONS

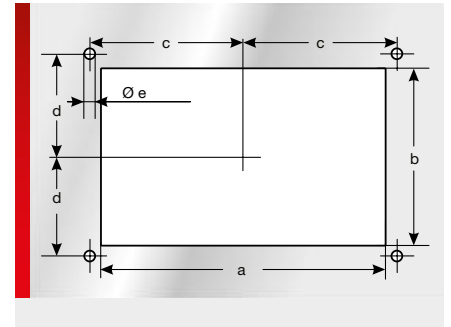
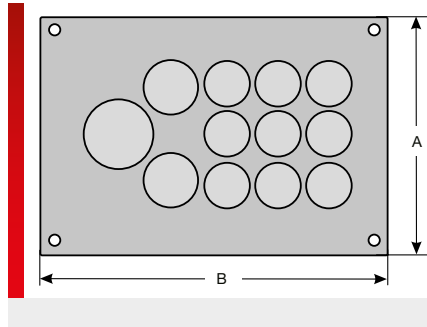
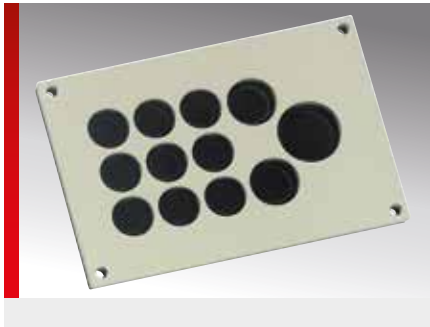
- 30 – 70 °C
- Housing: Polyamide 6  
Seal: EPDM
- V0
- IP 65



Type	Order No.	Colour	No. openings	Openings quantity / Ø mm	MOQ Pcs.
KDP/EN-RA 24/11	87301215	Black	11	4x 3.0 – 6.5	1
				4x 5.0 – 9.2	
				3x 14.0 – 20.0	
KDP/EN-RA 24/12	87301225	Black	12	12x 8.0 – 12.0	1
KDP/EN-RA 24/13	87301235	Black	13	2x 3.0 – 5.5	1
				6x 4.1 – 8.1	
				4x 9.0 – 14.0	
KDP/EN-RA 24/14	87301245	Black	14	1x 14.0 – 20.0	1
				6x 3.0 – 6.5	
				4x 5.0 – 9.2	
KDP/EN-RA 24/17	87301255	Black	17	4x 9.6 – 15.9	1
				17x 5.0 – 9.2	
				11x 3.0 – 6.5	
KDP/EN-RA 24/17-1	87301256	Black	17	1x 4.1 – 8.1	1
				5x 8.0 – 12.5	
				16x 3.0 – 6.5	
KDP/EN-RA 24/22	87301265	Black	22	4x 5.0 – 9.2	1
				2x 8.0 – 12.5	
				23x 4.1 – 8.1	
KDP/EN-RA 24/23	87301275	Black	23	23x 4.1 – 8.1	1
KDP/EN-RA 24/29	87301285	Black	29	29x 3.0 – 6.5	1
KDP/EN-RA 24/80	87301295	Black	80	78x 1.5 – 2.6	1
				2x 2.5 – 5.0	



## KDP/EN cable entry plate, metal



### PRODUCT INFORMATION

The KDP/EN Metal cable entry plates are cable entry and retaining systems for cables and pneumatic hoses used in control cabinets or plant construction specifically in the railway industry. Wherever quick assembly, cable-protecting and high packing density are required, the cable insertion system is used.

The special benefits of the KDP/EN Metal are:

- Enormous time savings in assembly
- High packing density
- Protection category IP 65
- Approved for railway technology (EN 45545-2 / 3x HL3)

- Other variants are available on request -

### SPECIFICATIONS



Type	Order No.	Colour	No. openings	Openings quantity / Ø mm	MOQ Pcs.
cablequick® KDP/EN 60/30, Alu	87664201	RAL 7035	30	13x 1.0 – 3.5	1
				12x 3.0 – 5.0	
				2x 4.0 – 8.0	
				1x 6.0 – 10.0	
				2x 8.0 – 12.0	
cablequick® KDP/EN 120/59, Alu	87664202	RAL 7035	59	22x 1.0 – 3.5	1
				15x 3.5 – 6.5	
				14x 6.0 – 10.0	
				2x 8.0 – 12.0	
				6x 16.0 – 24.0	

### Dimension table

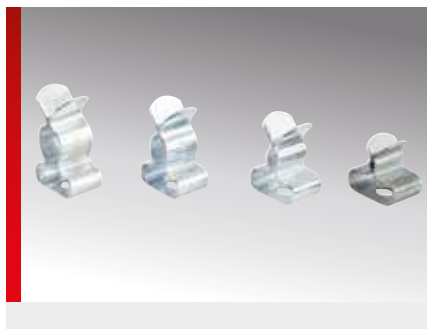
Type	Order No.	A mm	B mm	a mm	b mm	c mm	d mm	e mm
cablequick® KDP/EN 60/30, Alu	87664201	148.00	60.00	110.00	46.00	65.00	16.00	5.50
cablequick® KDP/EN 120/59, Alu	87664202	288.00	120.00	240.00	80.00	137.00	36.00	5.50





## EMC solutions

## SC-EMV / MSC-EMV shield clips



### PRODUCT INFORMATION

The steering components in today's machine, plant and control cabinet installations are becoming more and more complex. A good EMC concept therefore gains increasing importance. Murrplastik earthing and cable shielding products are designed to meet the demands for low bleeder resistance at high frequencies.

Murrplastik products are characterised by their very easy handling.

- The spring action provides uninterrupted contact pressure with the shield.
- High conductivity
- Excellent discharge of high-frequency noise current.

### SPECIFICATIONS



Zinc-plated spring steel

Type	Order No.	For shield of Ø mm	MOQ Pcs.
SC-EMV 1.5-3	87601002	1.5 – 3.0	25
SC-EMV 3-6	87601004	3.0 – 6.0	25
SC-EMV 6-8	87601006	6.0 – 8.0	25
SC-EMV 8-11	87601008	8.0 – 11.0	25
SC-EMV 11-16	87601010	11.0 – 16.0	25
SC-EMV 17-22	87601012	17.0 – 22.0	25
SC-EMV 23-29	87601014	23.0 – 29.0	25
MSC-EMV 3-12	87601020	3.0 – 12.0	25
MSC-EMV 7-18	87601022	7.0 – 18.0	25

## SCF-EMV / MSCF-EMV shield clip with snap-on foot



### PRODUCT INFORMATION

The steering components in today's machine, plant and control cabinet installations are becoming more and more complex.

A good EMC concept therefore gains increasing importance.

Murrplastik earthing and cable shielding products are designed to meet the demands for low bleeder resistance at high frequencies.

Murrplastik products are characterised by their very easy handling.

- Easy, no tools required, installation on 35 mm top-hat rails
- The spring action provides uninterrupted contact pressure with the shield.
- Excellent discharge of high-frequency noise current.

### SPECIFICATIONS

 Zinc-plated spring steel

Type	Order No.	For shield of Ø mm	MOQ Pcs.
SCF-EMV 1.5-3	87601052	1.5 – 3.0	10
SCF-EMV 3-6	87601054	3.0 – 6.0	10
SCF-EMV 6-8	87601056	6.0 – 8.0	10
SCF-EMV 8-11	87601058	8.0 – 11.0	10
SCF-EMV 11-16	87601060	11.0 – 16.0	10
SCF-EMV 17-30	87601064	17.0 – 30.0	10
SCF-EMV 30-37	87601066	30.0 – 37.0	10
MSCF-EMV 3-12	87601070	3.0 – 12.0	10
MSCF-EMV 7-18	87601072	7.0 – 18.0	10

## SCFZ-EMV snap-on shield clip with strain relief




### PRODUCT INFORMATION

The steering components in today's machine, plant and control cabinet installations are becoming more and more complex. A good EMC concept therefore gains increasing importance. Murrplastik earthing and cable shielding products are designed to meet the demands for low bleeder resistance at high frequencies.

Murrplastik products are characterised by their very easy handling.

- Easy, no tools required, installation on 35 mm top-hat rails
- The spring action provides uninterrupted contact pressure with the shield.
- Excellent discharge of high-frequency noise current.
- Optional strain relief with cable ties.

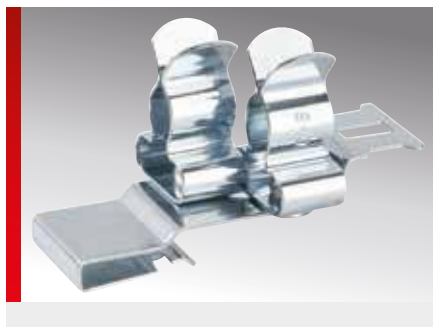
### SPECIFICATIONS

 Zinc-plated spring steel

 Made in Germany

Type	Order No.	For shield of Ø mm	MOQ Pcs.
SCFZ-EMV 1.5-3	87601074	1.5 – 3.0	10
SCFZ-EMV 3-6	87601075	3.0 – 6.0	10
SCFZ-EMV 6-8	87601076	6.0 – 8.0	10
SCFZ-EMV 8-11	87601077	8.0 – 11.0	10
SCFZ-EMV 11-16	87601078	11.0 – 16.0	10
SCFZ-EMV 17-22	87601079	17.0 – 22.0	10

## DCS-EMV / DCSZ-EMV double clip for busbar



### PRODUCT INFORMATION

The steering components in today's machine, plant and control cabinet installations are becoming more and more complex. A good EMC concept therefore gains increasing importance. Murrplastik earthing and cable shielding products are designed to meet the demands for low bleeder resistance at high frequencies.

Murrplastik products are characterised by their very easy handling.

- Assembly without tools on 10x3 mm bar
- Less warehoused parts
- Very compact design
- Strain relief with cable ties (DCSZ-EMV)

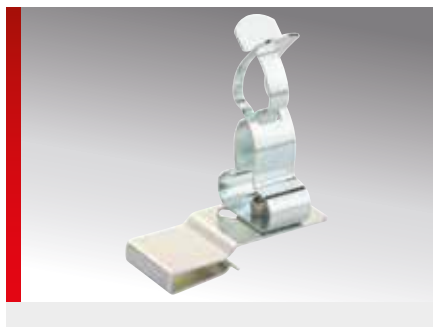
### SPECIFICATIONS



Zinc-plated spring steel

Type	Order No.	For shield of Ø mm	MOQ Pcs.
DCS-EMV 1.5-3	87601034	1.5 – 3.0	10
DCS-EMV 3-6	87601036	3.0 – 6.0	10
DCS-EMV 6-8	87601038	6.0 – 8.0	10
DCSZ-EMV 1.5-3	87601035	1.5 – 3.0	10
DCSZ-EMV 3-6	87601037	3.0 – 6.0	10
DCSZ-EMV 6-8	87601039	6.0 – 8.0	10

## MCS-EMV/MCSZ-EMV multi clip for busbar



### PRODUCT INFORMATION

The steering components in today's machine, plant and control cabinet installations are becoming more and more complex.

A good EMC concept therefore gains increasing importance.

Murrplastik earthing and cable shielding products are designed to meet the demands for low bleeder resistance at high frequencies.

Murrplastik products are characterised by their very easy handling.

- Assembly without tools on 10x3 mm bar
- Less warehoused parts
- Very compact design
- Strain relief with cable ties (MCSZ-EMV)

### SPECIFICATIONS



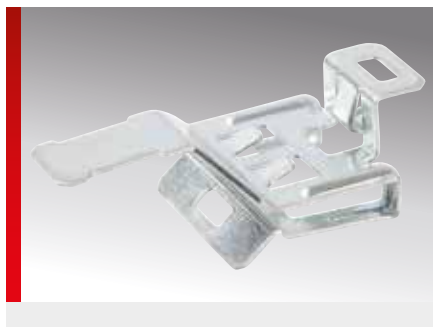
Zinc-plated spring steel

Type	Order No.	For shield of Ø mm	MOQ Pcs.
MCS-EMV 3-12	87601044	3.0 – 12.0	10
MCS-EMV 7-18	87601046	7.0 – 18.0	10
MCSZ-EMV 3-12	87601045	3.0 – 12.0	10
MCSZ-EMV 7-18	87601047	7.0 – 18.0	10





## SF-EMV / SFZ-EMV busbar mounting foot



### PRODUCT INFORMATION

The steering components in today's machine, plant and control cabinet installations are becoming more and more complex. A good EMC concept therefore gains increasing importance. Murrplastik earthing and cable shielding products are designed to meet the demands for low bleeder resistance at high frequencies.

Murrplastik products are characterised by their very easy handling.

- Assembly without tools on 10x3 mm top-hat rail
- For SC-EMV / MSC-EMV shield clips
- Smaller model range because of the variable loading options
- Less warehoused parts
- Very compact design
- Strain relief with cable ties (SFZ-EMV)

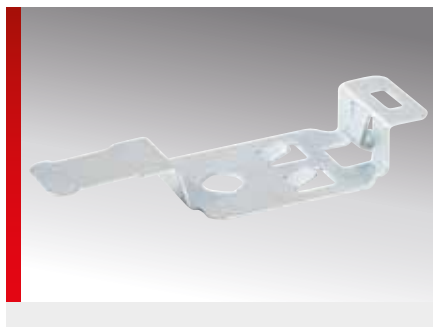
### SPECIFICATIONS



Zinc-plated spring steel

Type	Order No.	MOQ Pcs.
SF-EMV 10x3	87601042	10
SFZ-EMV 10x3	87601040	10

## DF-EMV / DFZ-EMV direct mounting foot



### PRODUCT INFORMATION

The steering components in today's machine, plant and control cabinet installations are becoming more and more complex.

A good EMC concept therefore gains increasing importance.

Murrplastik earthing and cable shielding products are designed to meet the demands for low bleeder resistance at high frequencies.

Murrplastik products are characterised by their very easy handling.

- Direct mounting with M4, M5 or M6 bolt
- SC-EMV / MSC-EMV shield clips universal support bracket
- Smaller model range because of the variable loading options
- Very compact design
- Strain relief with cable ties (DFZ-EMV)

### SPECIFICATIONS

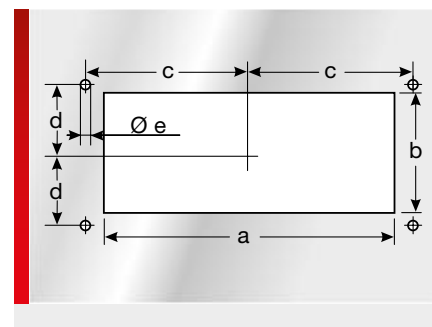
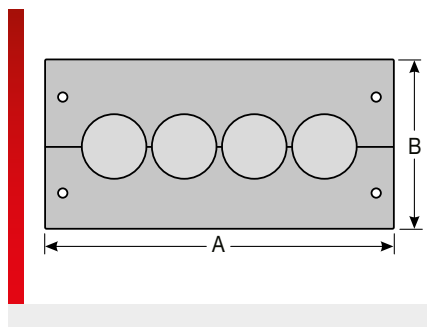
 Zinc-plated spring steel

Type	Order No.	MOQ Pcs.
DF-EMV 4	87601082	10
DF-EMV 5	87601086	10
DFZ-EMV 4	87601080	10
DFZ-EMV 5	87601084	10
DFZ-EMV 6	87601087	10





## KDL xx/xx-EMV cable entry system

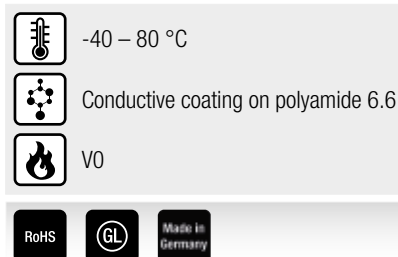


### PRODUCT INFORMATION

The KDL/EMV cable entry system is based on the cable entry system KDL. A conductive surface allows cable sheath interference to be discharged onto the control cabinet simply and without additional aids. Field-bound interference is discharged by the metallisation.

The KDL 16 /xx-EMC types fit on cut-outs for 16-pin connectors, the KDL 24 /xx-EMC types fit on cut-outs for 24-pin connectors, from Harting or Wieland.

### SPECIFICATIONS



Type	Order No.	Colour	No. openings		MOQ Pcs.
			Small	medium / large	
<b>For standard cut-out size 16</b>					
KDL 16/2-EMV <sup>1)</sup>	87171020	Chrome	0	2	1
KDL 16/4-EMV <sup>1)</sup>	87171022	Chrome	4	0	1
<b>For standard cut-out size 24</b>					
KDL 24/3-EMV <sup>2)</sup>	87171024	Chrome	1	2	1
KDL 24/5-EMV <sup>2)</sup>	87171026	Chrome	5	0	1
<b>Enlarged cut-out for up to 15 pre-assembled cables</b>					
KDL 2/10-EMV <sup>3)</sup>	87171027	Chrome	10	0	1
KDL 3/15-EMV	87980021	Chrome	15	0	1
<sup>1)</sup> Replacement seal KDL16-EMV 8717102100					
<sup>2)</sup> Replacement seal KDL 24-EMV 8717102500					
<sup>3)</sup> Replacement seal KDL 2/10-EMV 87980020					

### Dimension table

Type	Order No.	Installation height mm	A mm	B mm	a mm	b mm	c mm	d mm	e mm
<b>For standard cut-out size 16</b>									
KDL 16/2-EMV <sup>1)</sup>	87171020	10.00	116.00	58.00	86.00	36.00	51.50	16.00	5.50
KDL 16/4-EMV <sup>1)</sup>	87171022	10.00	116.00	58.00	86.00	36.00	51.50	16.00	5.50
<b>For standard cut-out size 24</b>									
KDL 24/3-EMV <sup>2)</sup>	87171024	10.00	146.00	58.00	112.00	36.00	65.00	16.00	5.50

**KDL xx/xx-EMV cable entry system** (continued)

Type	Order No.	Installation height mm	A mm	B mm	a mm	b mm	c mm	d mm	e mm
KDL 24/5-EMV <sup>2)</sup>	87171026	10.00	146.00	58.00	112.00	36.00	65.00	16.00	5.50
<b>Enlarged cut-out for up to 15 pre-assembled cables</b>									
KDL 2/10-EMV <sup>3)</sup>	87171027	10.00	146.00	90.00	120.00	60.00	65.00	32.00	5.50
KDL 3/15-EMV	87980021	10.00	146.00	122.00	120.00	96.00	65.00	48.00	5.50

## KDT/Z-EMV cable entry grommets



### PRODUCT INFORMATION

The KDT/Z-EMV cable entry grommet is adapted to the shield diameter and fitted with a conductive textile tape to discharge interferences to the control cabinet. Strain relief can be provided quickly and easily for cables using cable ties.

### SPECIFICATIONS

	-40 – 80 °C	
	With conductive textile tape made of thermoplastic rubber	
	HB	
		

Type	Order No.	Colour	For shield of Ø mm	For opening Small / medium / large	No. openings	MOQ Pcs.
<b>Grommet, small</b>						
KDT/Z-EMC 03	87171812	Black	3.0 – 4.0	• / -	1	10
KDT/Z-EMV 04	87171814	Black	4.0 – 5.0	• / -	1	10
KDT/Z-EMV 05	87171816	Black	5.0 – 6.0	• / -	1	10
KDT/Z-EMV 06	87171818	Black	6.0 – 7.0	• / -	1	10
KDT/Z-EMV 07	87171820	Black	7.0 – 8.0	• / -	1	10
KDT/Z-EMV 08	87171822	Black	8.0 – 9.0	• / -	1	10
KDT/Z-EMV 09	87171824	Black	9.0 – 10.0	• / -	1	10
KDT/Z-EMV 10	87171826	Black	10.0 – 11.0	• / -	1	10
KDT/Z-EMV 11	87171828	Black	11.0 – 12.0	• / -	1	10
KDT/Z-EMV 12	87171830	Black	12.0 – 13.0	• / -	1	10
KDT/Z-EMV 13	87171832	Black	13.0 – 14.0	• / -	1	10
KDT/Z-EMV 14	87171834	Black	14.0 – 15.0	• / -	1	10
KDT/Z-EMV 15	87171836	Black	15.0 – 16.0	• / -	1	10
<b>Grommet, large</b>						
KDT/Z-EMV 16	87172012	Black	16.0 – 17.0	- / •	1	10
KDT/Z-EMV 17	87172014	Black	17.0 – 18.0	- / •	1	10
KDT/Z-EMV 18	87172016	Black	18.0 – 19.0	- / •	1	10
KDT/Z-EMV 19	87172018	Black	19.0 – 20.0	- / •	1	10
KDT/Z-EMV 20	87172020	Black	20.0 – 21.0	- / •	1	10
KDT/Z-EMV 21	87172022	Black	21.0 – 22.0	- / •	1	10
KDT/Z-EMV 22	87172024	Black	22.0 – 23.0	- / •	1	10
KDT/Z-EMV 23	87172026	Black	23.0 – 24.0	- / •	1	10
KDT/Z-EMV 24	87172028	Black	24.0 – 25.0	- / •	1	10
KDT/Z-EMV 25	87172030	Black	25.0 – 26.0	- / •	1	10
KDT/Z-EMV 26	87172032	Black	26.0 – 27.0	- / •	1	10





## KDP EMV module cable entry plate



### PRODUCT INFORMATION

The Murrplastik KDP 24 EMC module is designed to dissipate line and field induced interference. The KDP 24 EMC modules are used in conjunction with the cable entry plates type KDP/xx 24. In order to ensure optimum performance, the EMC module is assembled in combination with the KDP/N 24 cable entry plate. While the EMC module

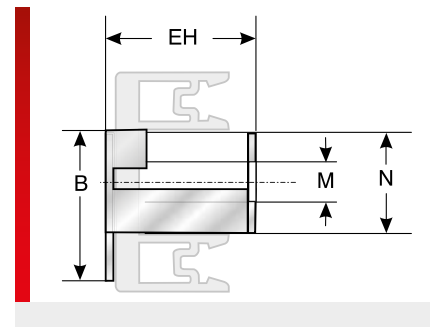
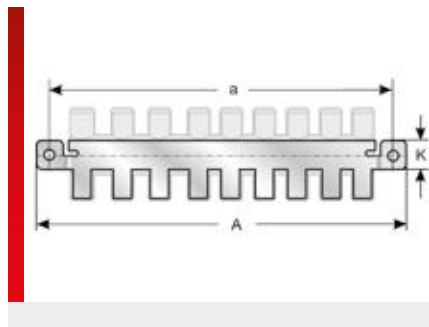
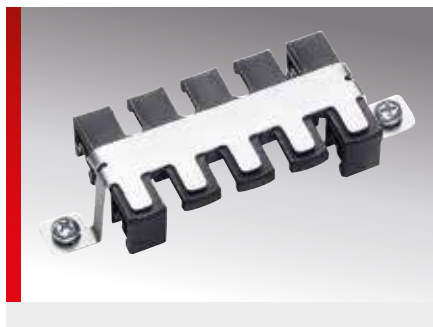
makes direct contact with the enclosure wall on the inside of the enclosure, the KDP/xx 24 cable entry plate provides mechanical protection against dust and liquids from the environment.

The special advantages of the KDP 24 EMC modules are:

- Cable-friendly 360° shield contacting
- Large contact area with short distance
- Easy assembly
- Compact and slim design
- Visible contact area
- Stainless steel construction

Type	Order No.	Suitable for	MOQ Pcs.
KDP 24/11 EMV-Modul	87664010	KDP/xx 24/11	1
KDP 24/12 EMV-Modul	87664020	KDP/xx 24/12	1
KDP 24/13 EMV-Modul	87664030	KDP/xx 24/13	1
KDP 24/14 EMV-Modul	87664040	KDP/xx 24/14	1
KDP 24/17 EMV-Modul	87664050	KDP/xx 24/17	1
KDP 24/17-1 EMV-Modul	87664051	KDP/xx 24/17-1	1
KDP 24/22 EMV-Modul	87664060	KDP/xx 24/22	1
KDP 24/23 EMV-Modul	87664070	KDP/xx 24/23	1
KDP 24/29 EMV-Modul	87664080	KDP/xx 24/29	1

## KAF/K cable fixing plate



### PRODUCT INFORMATION

The KAF/K-EMV cable fixing plate consists of a plastic carrier with a fitted V2A stainless steel discharge plate. Integrated clamps ensure quick and safe fastening, both on the top hat- or C-rail. The ground contact occurs through the lateral brackets. The use of two connecting points ensures a good discharge.

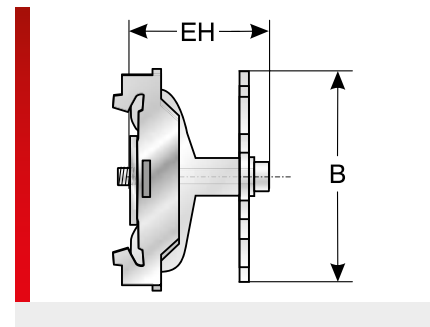
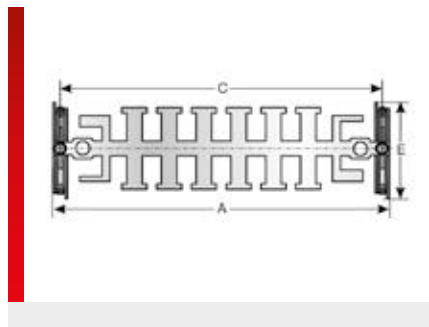
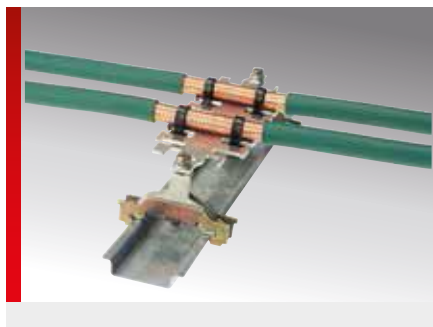
- Approved for railway technology (EN 45545-2)

### SPECIFICATIONS

- 40 – 125 °C short term 140 °C
- Plate: Polyamide 6.6  
Discharge plate: V2A
- V0

Type	Order No.	Quantity of cables	Installation height mm	A mm	B mm	c mm	d mm	MOQ Pcs.
KAF/K-75-EMV	87201414	5	26.60	109.00	23.00	96.50	4.50	1
KAF/K-140-EMV	87201418	9	26.60	173.00	23.00	157.00	4.50	1

## KAF/EK cable fixing plate



### PRODUCT INFORMATION

The KAF/EK-EMV cable fixing plate consists of a V2A stainless steel plate for the direct discharge of any interferences on the cable sheaths. Stripping the cable in the area of the cable fixing plate and fastening by means of cable ties ensures contact to the cable fixing plate. The ground contact is provided

through a special screw stand for the 35 mm hat rail (EN50022). The KAF/EK is characterised by its extremely fast and easy assembly.

- Fits on a 35 mm top-hat rail (EN50022)

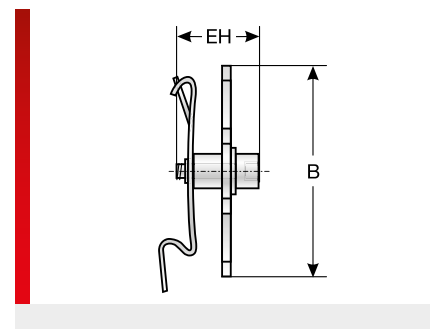
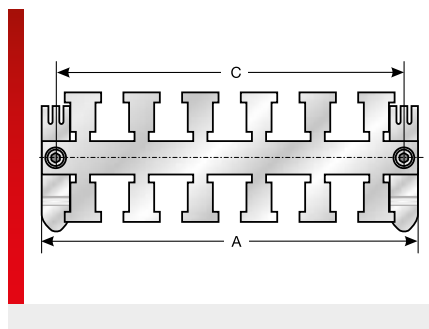
### SPECIFICATIONS

Plate: V2A



Type	Order No.	Quantity of cables	Installation height mm	A mm	B mm	c mm	MOQ Pcs.
KAF/EK-EMV 140	87201228	6	29.00	155.00	41.50	146.00	1
KAF/EK-EMV 165	87201230	10	29.00	179.00	41.50	169.00	1

## KAF/SF cable fixing plate



### PRODUCT INFORMATION

The cable fixing plate KAF/SF is suitable for discharging interferences which may occur on cable sheaths. The earth/ground contact is provided through a special snap-on foot for the 35 mm top-hat rail (EN50022). Stripping the cable in the area of the KAF/SF and clamping in the KAF/SF achieves a contact to the KAF/SF. The snap-on foot of the KAF/SF produces a low-resistance ground contact.

The use of two connecting points ensures a good discharge regardless of the position of the cable on the KAF/SF.

- Fits on a 35 mm top-hat rail (EN50022)
- Simply snapped on

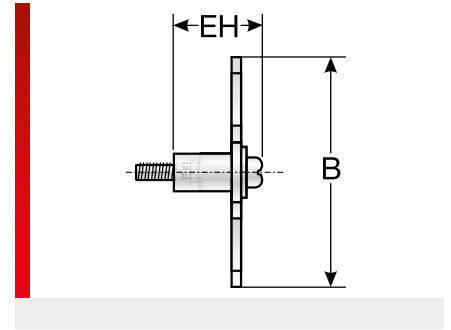
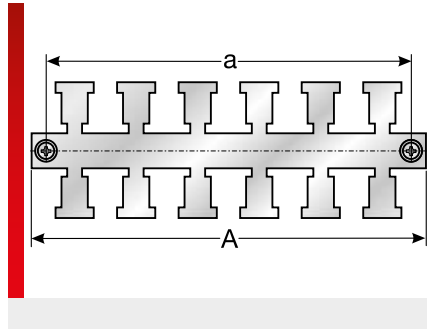
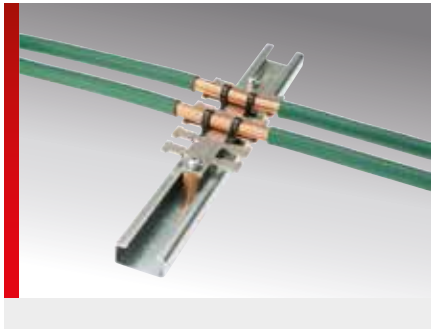
### SPECIFICATIONS

Plate: V2A



Type	Order No.	Quantity of cables	Installation height mm	A mm	B mm	c mm	MOQ Pcs.
KAF/SF-50 EMC	87201240	2	20.00	50.00	49.00	37.50	1
KAF/SF-83 EMV	87201242	4	20.00	83.00	49.00	71.00	1
KAF/SF-116 EMV	87201244	6	20.00	116.00	49.00	103.00	1
KAF/SF-180 EMV	87201248	10	20.00	185.00	49.00	171.00	1

## KAF/DC cable fixing plate



### PRODUCT INFORMATION

The cable fixing plate KAF/DC is suitable for discharging interferences which may occur on cable sheaths. The ground connection occurs via the fixing screws. The version DC is only suitable for direct installation on a conductive background. Stripping the cable in the area of the cable fixing plate and fastening by means of cable ties ensures

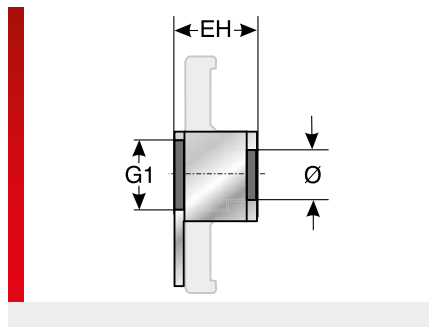
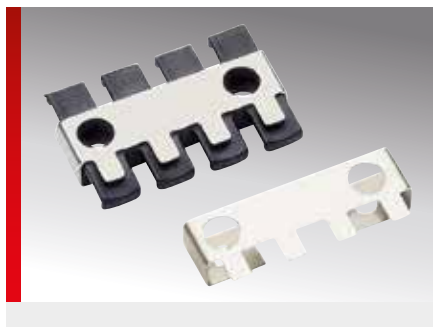
contact to the cable fixing plate. A low-resistance ground contact is achieved by mounting the KAF on the mounting plate. The use of two connecting points ensures a good discharge regardless of the position of the cable on the KAF.

### SPECIFICATIONS

- Plate: V2A
- Stand: Brass
- 

Type	Order No.	Quantity of cables	Installation height mm	A mm	B mm	c mm	MOQ Pcs.
KAF/DC-50 EMV	87201250	2	26.50	50.00	49.00	37.50	1
KAF/DC-83 EMV	87201252	4	26.50	83.00	49.00	70.00	1
KAF/DC-116 EMV	87201254	6	26.50	116.00	49.00	103.00	1
KAF/DC-180 EMV	87201258	10	26.50	180.00	49.00	170.00	1

## ZL xx-AB strain relief



### PRODUCT INFORMATION

In conjunction with the ZL strain relief rail, the ZL-AB discharge plate is suitable for discharging interferences which may occur on cable sheaths.  
ZL strain relief not included in delivery.  
Please order separately.

### SPECIFICATIONS

Stainless steel 1.4301

Type	Order No.	Installation height mm	A mm	B mm	c mm	e mm	MOQ Pcs.
ZL 39-AB/EMV <sup>1)</sup>	87701034	12.00	41.00	25.00	19.50	6.50	1
ZL 60-AB/EMV <sup>1)</sup>	87701036	12.00	62.50	25.00	43.50	6.50	1
ZL 87-AB/EMV <sup>1)</sup>	87701040	12.00	89.00	25.00	68.00	6.50	1
ZL 140-AB/EMV <sup>1)</sup>	87701046	12.00	142.50	25.00	121.00	6.50	1

<sup>1)</sup> The corresponding ZL strain relief plate is required for the discharge plate.


**KDL-AB discharge plate****PRODUCT INFORMATION**

The discharge plate AB-Clip 24 - EMV is made of 1.4301 (V2A) stainless steel. It can be used in conjunction with 24-pin cable entry system (KDL/x) and cable entry plates (KDP/x) to eliminate interference that can occur on the cable shields. The discharge plate should be installed on the inside of the control cabinet, directly to the fixing points of the cable entry system. The deflector plate accommodates the EMC clip systems, which can be mounted on a 10x3mm busbar.

The special advantages of the AB-Clip 24 - EMV discharge plate are:

- High stability
- Easy installation of the screen clip systems
- Compact design
- RoHS compliant

**SPECIFICATIONS**

 Stainless steel 1.4310



Type	Order No.	No. Discharges	Suitable for	MOQ Pcs.
KDL-AB 24/6-EMV/EMC	87252438	6	KDL/C 24/12 KDL/D 24/12	1
KDL-AB 16/2-EMV/EMC	87252410	2	KDL 16/2 KDL/E 16/2	1
KDL-AB 16/4-EMV/EMC	87252412	4	KDL 16/4	1
KDL-AB 24/3-EMV/EMC	87252414	3	KDL 24/3	1
KDL-AB 24/5-EMV/EMC	87252416	5	KDL 24/5 KDL 2/10 KDL 3/15	1

## KDL/N-AB discharge plate





### PRODUCT INFORMATION

The KDL/E discharge plates are suited for discharging interference which may occur on cable sheaths.

The discharge plate is installed on the inside of the control cabinet, directly to the fixing points of the KDL/E cable entry system.

### SPECIFICATIONS

-  Stainless steel 1.4310
-  RoHS

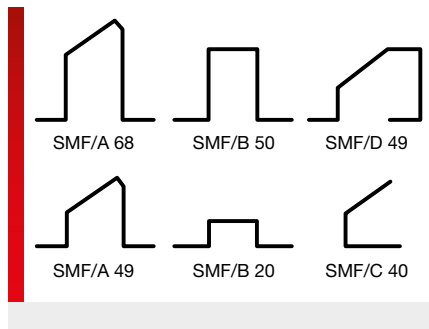
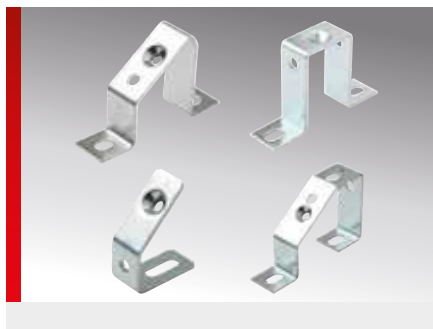
Type	Order No.	No. Discharges	Suitable for	MOQ Pcs.
KDL/N-AB 16/5-EMC OT	87252420	3	KDL/E 16/5 Upper part	1
KDL/N-AB 16/5-EMV UT	87252422	2	KDL/E 16/5 Lower part	1
KDL/N-AB 16/8-EMV	87252424	4	KDL/E 16/8 Upper part and lower part	1
KDL/N-AB 24/4-EMV OT	87252426	3	KDL/E 24/4 Upper part	1
KDL/N-AB 24/4-EMV UT	87252428	1	KDL/E 24/4 Lower part	1
KDL/N-AB 24/7-EMV OT	87252430	4	KDL/E 24/7 Upper part	1
KDL/N-AB 24/7-EMV UT	87252432	3	KDL/E 24/7 Lower part	1
KDL/N-AB 24/10-EMV OT	87252434	5	KDL/E 24/10 Upper part	1
KDL/N-AB 24/10-EMV UT	87252436	5	KDL/E 24/10 Lower part	1







## SMF busbar mounting foot



### PRODUCT INFORMATION

The steering components in today's machine, plant and control cabinet installations are becoming more and more complex. A good EMC concept therefore gains increasing importance. Murrplastik earthing and cable shielding products are designed to meet the demands for low bleeder resistance at high frequencies.

Murrplastik products are characterised by their very easy handling.

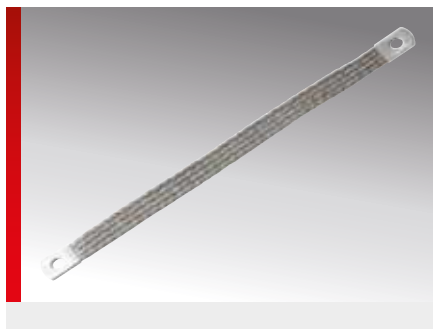
### SPECIFICATIONS

 Galvanised sheet steel

 RoHS

Type	Order No.	MOQ Pcs.
SMF/A 49	87841020	10
SMF/A 68	87841022	10
SMF/B 20	87841030	10
SMF/B 50	87841032	10
SMF/C 40	87841040	10
SMF/D 49	87841042	10

## FBE ribbon earthing cable



### PRODUCT INFORMATION

The steering components in today's machine, plant and control cabinet installations are becoming more and more complex. A good EMC concept therefore gains increasing importance. Murrplastik earthing and cable shielding products are designed to meet the demands for low bleeder resistance at high frequencies.

Murrplastik products are characterised by their very easy handling.

- Excellent discharge of high-frequency noise current.
- Very small transient resistance

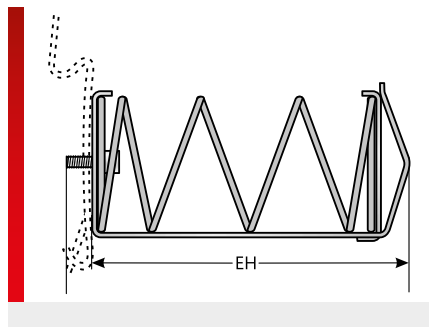
### SPECIFICATIONS

 Copper

 RoHS

Type	Order No.	MOQ Pcs.
FBE M6-200/10	87841080	10
FBE M8-250/16	87841084	10
FBE M8-300/16	87841082	10

## SK shielding clamp



### PRODUCT INFORMATION

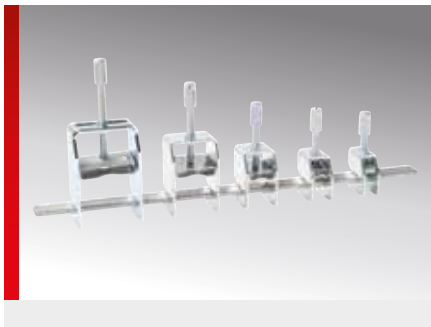
The shielding clamp may be used where the shield of individual cables must be connected with earth potential. The SK can be either screwed down on the mounting plate or snapped on to the 35 mm top-hat rail (EN 50022) by means of a mounting foot. SK mounting foot not included in delivery. Please order separately.

### SPECIFICATIONS

- Galvanised sheet steel
- RoHS

Type	Order No.	Fastening	For shield of Ø mm	A mm	B mm	EH mm	MOQ Pcs.
SK 3 – 8	87201060	M4x0.7	3.0 – 8.0	18.00	13.50	26.00	10
SK 4 – 13.5	87201062	M4x0.7	4.0 – 13.5	20.00	20.00	32.50	10
SK 10 – 20	87201064	M4x0.7	10.0 – 20.0	26.00	25.00	40.00	10
SK 15 – 32	87201066	M4x0.7	15.0 – 32.0	32.50	33.50	64.00	10
SK mounting foot	87201070			13.00	50.00		10

## SKS shielding clamp



### PRODUCT INFORMATION

The shielding clamp may be used where the shield of individual cables must be connected with earth potential. The SKS are mounted on a 10x3 busbar. The broad clamping range makes high contact output to the cable shield possible.

### SPECIFICATIONS

 Galvanised sheet steel

Type	Order No.	For shield of Ø mm	MOQ Pcs.
SKS-EMV 2-5	87602010	2.0 – 5.0	10
SKS-EMV 3-8	87602012	3.0 – 8.0	10
SKS-EMV 3-14	87602014	3.0 – 14.0	10
SKS-EMV 3-20	87602016	3.0 – 20.0	10
SKS-EMV 5-28	87602018	5.0 – 28.0	10

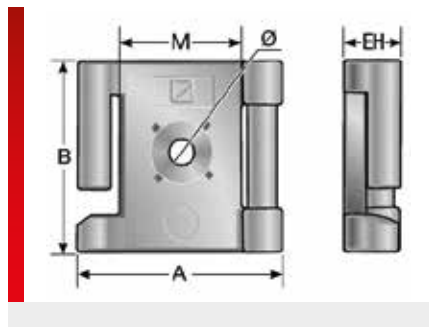




**Strain relief / cable fixing plate**



## ZL-fix strain relief



### PRODUCT INFORMATION

The strain relief ZL-fix may be used wherever cables, cords, wires or conduits must be relieved or routed in a way that is secure, easy and cost-effective. The strain relief ZL-fix is available in two versions, either for direct screw fastening (flat-head screw M5, not included in delivery) or for fastening on a profile with 10 mm groove width (integrated nut strap).

- Do not constrict sensitive cables such as fibre optic cables or pneumatic hoses
- No-tools fastening Velcro(R) system can be opened and closed infinitely
- Very simple handling
- Variable installation positions

### SPECIFICATIONS

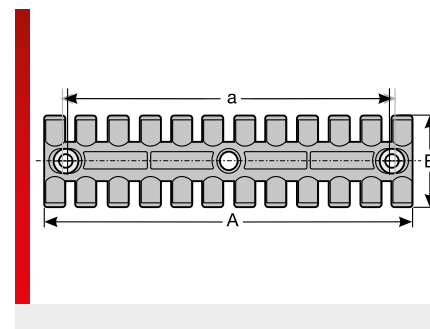
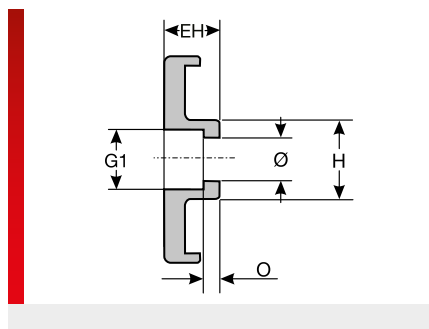
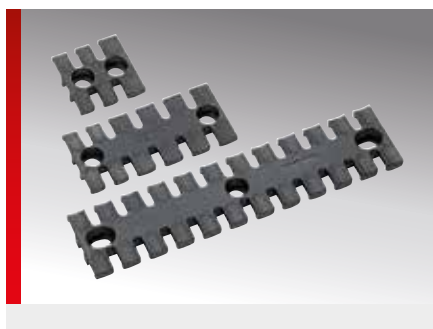
-30 – 80 °C  
 Tape: Coated polyamide  
 Base: Polyamide 6.6

Type	Order No.	Colour	Length of Velcro tape mm	Section groove min. – max. mm	MOQ Pcs.
<b>Profile assembly</b>					
ZL-fix P-15	87705018	Black	92.00	9.9 – 10.8	10
ZL-fix P-25	87705020	Black	171.00	9.9 – 10.8	10
ZL-fix P8-25	87705030	Black	170.00	7.9 – 8.8	10
ZL-fix P-35	87705022	Black	171.00	9.9 – 10.8	10
<b>Screw assembly</b>					
ZL-fix W-15	87705008	Black	92.00		10
ZL-fix W-25	87705010	Black	171.00		10
ZL-fix W-25-400	87705015	Black	400.00		10
ZL-fix W-35	87705012	Black	171.00		10

### Dimension table

Type	Order No.	A mm	B mm	EH mm	M mm	Ø mm
<b>Profile assembly</b>						
ZL-fix P-15	87705018	30.00	34.00	10.70	15.00	5.00
ZL-fix P-25	87705020	37.00	34.00	10.70	25.00	5.00
ZL-fix P8-25	87705030	25.00	34.00	10.70		5.00
ZL-fix P-35	87705022	45.00	34.00	10.70	35.00	5.00
<b>Screw assembly</b>						
ZL-fix W-15	87705008	39.00	34.00	10.70	15.00	5.00
ZL-fix W-25	87705010	37.00	34.00	10.70	25.00	5.00
ZL-fix W-25-400	87705015	37.00	34.00	10.70	25.00	5.00
ZL-fix W-35	87705012	45.00	34.00	10.70	35.00	5.00

## ZL strain relief



### PRODUCT INFORMATION

The ZL strain relief plate may be used wherever the strain of cables, conduits, cords, wires or conduits must be relieved or they are to be routed in a secure, easy and cost-effective way. The insertion of the ELB bush stops the cold extrusion characteristic of plastic from affecting the secure fixing of the plate. The DH spacer sleeve is needed for two-tier mounting.

- Approved for railway technology (EN 45545-2)

### SPECIFICATIONS

- 40 – 125 °C
- Plate: Polyamide 6.6
- V0

RoHS

HF

LABS

UV  
ISO 4862-2

EU  
CE

Made in Germany

Type	Order No.	Colour	No. Cables	MOQ Pcs.
ZL 04	87701010	Black	12	1
ZL 05	87701012	Black	15	1
ZL 39	87701014	Black	3	1
ZL 60	87701016	Black	4	1
ZL 70	87701017	Black	5	1
ZL 80	87701015	Black	6	1
ZL 87/68	87701018	Black	6	1
ZL 87/50	87701019	Black	6	1
ZL 103	87701020	Black	7	1
ZL 121	87701022	Black	8	1
ZL 140	87701024	Black	9	1
ZL 180/6	87701026	Black	12	1
ZL 180/8	87701027	Black	12	1

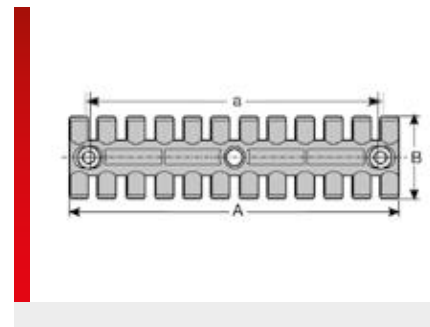
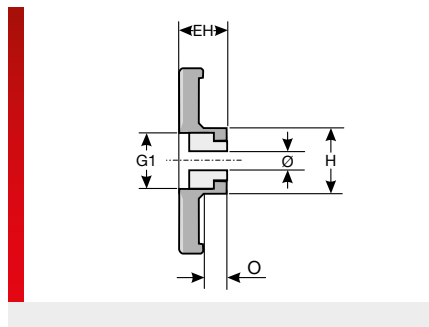
### Dimension table

Type	Order No.	A mm	a mm	B mm	EH mm	G1 mm	H mm	O mm	Ø mm
ZL 04	87701010	95.00	74.50	35.00	9.20	8.50		3.10	5.50
ZL 05	87701012	119.00	108.00	35.00	9.20	8.50		3.10	5.50
ZL 39	87701014	38.50	19.50	40.00	10.00	12.00	14.00	3.10	9.00
ZL 60	87701016	59.50	43.50	40.00	10.00	12.00	14.00	3.10	9.00
ZL 70	87701017	69.50	43.50	40.00	10.00	12.00	14.00	3.10	9.00
ZL 80	87701015	79.50	68.00	40.00	10.00	12.00	14.00	3.10	9.00
ZL 87/68	87701018	86.50	68.00	40.00	10.00	12.00	14.00	3.10	9.00
ZL 87/50	87701019	86.50	50.00	40.00	10.00	12.00	14.00	3.10	9.00
ZL 103	87701020	102.50	84.00	40.00	10.00	12.00	14.00	3.10	9.00

**ZL strain relief** (continued)

Type	Order No.	A mm	a mm	B mm	EH mm	G1 mm	H mm	O mm	Ø mm
ZL 121	87701022	121.00	102.50	40.00	10.00	12.00	14.00	3.10	9.00
ZL 140	87701024	139.50	121.00	40.00	10.00	12.00	14.00	3.10	9.00
ZL 180/6	87701026	180.00	157.00	42.00	11.50	12.00	16.00	3.10	9.00
ZL 180/8	87701027	180.00	157.00	42.00	11.50	13.40	16.00	3.10	11.00

## ZL-AH strain relief



### PRODUCT INFORMATION

The ZL-AH strain relief plates are based on the ZL strain relief plate. By inserting the aluminium grommets, the ZL strain relief plate is free of fastening forces.

- Approved for railway technology (EN 45545-2)

### SPECIFICATIONS

- 40 – 125 °C
- Plate: Polyamide 6.6  
Insert bushing: Aluminium
- V0

RoHS
 HF
 LABS
 UV  
ISO 4802-2
 EU
 Made in Germany

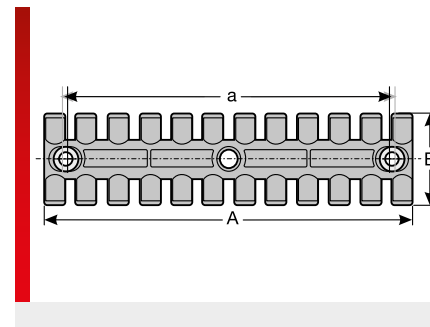
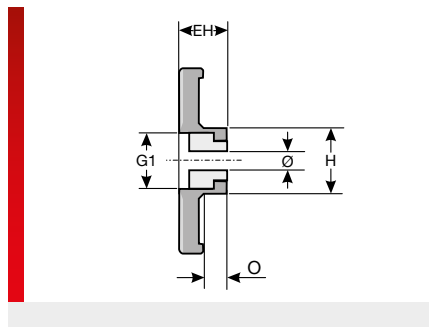
Type	Order No.	Colour	No. Cables	MOQ Pcs.
<b>With aluminium grommets, assembly with M5 screws</b>				
ZL-AH 39	87701230	Black	3	1
ZL-AH 60	87701232	Black	4	1
ZL-AH 87	87701234	Black	6	1
ZL-AH 103	87701236	Black	7	1
ZL-AH 121	87701238	Black	8	1
ZL-AH 140	87701240	Black	9	1
ZL-AH 180	87701242	Black	12	1

### Dimension table

Type	Order No.	A mm	a mm	B mm	EH mm	G1 mm	H mm	O mm	Ø mm
<b>With aluminium grommets, assembly with M5 screws</b>									
ZL-AH 39	87701230	38.50	19.50	40.00	10.00	12.00	14.00	7.00	5.50
ZL-AH 60	87701232	59.50	43.50	40.00	10.00	12.00	14.00	7.00	5.50
ZL-AH 87	87701234	86.50	68.00	40.00	10.00	12.00	14.00	7.00	5.50
ZL-AH 103	87701236	102.50	84.00	40.00	10.00	12.00	14.00	7.00	5.50
ZL-AH 121	87701238	121.00	102.50	40.00	10.00	12.00	14.00	7.00	5.50
ZL-AH 140	87701240	139.50	121.00	40.00	10.00	12.00	14.00	7.00	5.50
ZL-AH 180	87701242	180.00	157.00	42.00	11.50	12.00	16.00	7.00	5.50

KDH

## ZL-MH strain relief



### PRODUCT INFORMATION

The ZL-MH strain relief plates are based on the ZL strain relief plate. By inserting the brass grommets, the ZL strain relief plate is free of fastening forces.

Approved for railway technology (EN 45545-2)

### SPECIFICATIONS

- 40 – 125 °C
- Plate: Polyamide 6.6  
Insert bushing: Brass
- V0

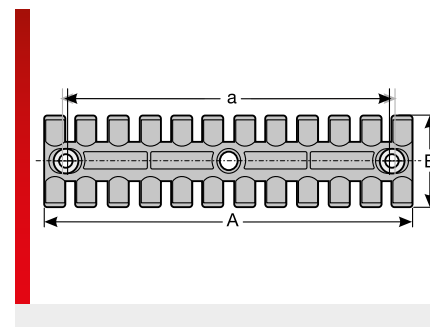
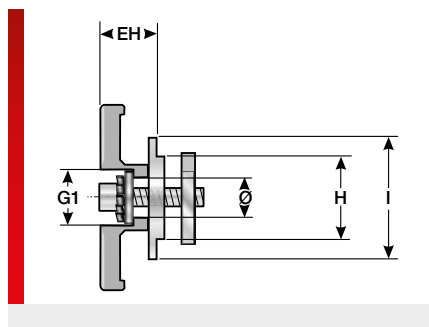
Type	Order No.	Colour	No. Cables	MOQ Pcs.
<b>With brass sleeve, assembly with M5 screws</b>				
ZL-MH 39	87701210	Black	3	1
ZL-MH 39, VE 50	87701211	Black	3	50
ZL-MH 60	87701212	Black	4	1
ZL-MH 87	87701214	Black	6	1
ZL-MH 103	87701216	Black	7	1
ZL-MH 121	87701218	Black	8	1
ZL-MH 140	87701220	Black	9	1
ZL-MH 140, VE 50	87701221	Black	9	50
ZL-MH 180	87701222	Black	12	1
<b>With brass sleeve, assembly with M6 screws</b>				
ZL-MH 39/6	87701270	Black	3	1
ZL-MH 60/6	87701272	Black	4	1
ZL-MH 60, VE 50	87701213	Black	4	50
ZL-MH 70/6	87701274	Black	5	1
ZL-MH 87/6	87701278	Black	6	1
ZL-MH 87, VE 50	87701215	Black	6	50
ZL-MH 103/6	87701282	Black	7	1
ZL-MH 121/6	87701284	Black	8	1
ZL-MH 140/6	87701286	Black	9	1
ZL-MH 180/6	87701288	Black	12	1

## ZL-MH strain relief (continued)

### Dimension table

Type	Order No.	A mm	a mm	B mm	EH mm	G1 mm	H mm	O mm	Ø mm
<b>With brass sleeve, assembly with M5 screws</b>									
ZL-MH 39	87701210	38.50	19.50	40.00	10.00	12.00	14.00	3.90	5.50
ZL-MH 39, VE 50	87701211	38.50	19.50	40.00	10.00	12.00	14.00	3.90	5.50
ZL-MH 60	87701212	59.50	43.50	40.00	10.00	12.00	14.00	3.90	5.50
ZL-MH 87	87701214	86.50	68.00	40.00	10.00	12.00	14.00	3.90	5.50
ZL-MH 103	87701216	102.50	84.00	40.00	10.00	12.00	14.00	3.90	5.50
ZL-MH 121	87701218	121.00	102.50	40.00	10.00	12.00	14.00	3.90	5.50
ZL-MH 140	87701220	139.50	121.00	40.00	10.00	12.00	14.00	3.90	5.50
ZL-MH 140, VE 50	87701221	139.50	121.00	40.00	10.00	12.00	14.00	3.90	5.50
ZL-MH 180	87701222	180.00	157.00	42.00	11.50	12.00	14.00	3.90	5.50
<b>With brass sleeve, assembly with M6 screws</b>									
ZL-MH 39/6	87701270	38.50	19.50	40.00	10.00	12.00	14.00	3.90	6.50
ZL-MH 60/6	87701272	59.50	43.50	40.00	10.00	12.00	14.00	3.90	6.50
ZL-MH 60, VE 50	87701213	59.50	43.50	40.00	10.00	12.00	14.00	3.90	6.50
ZL-MH 70/6	87701274	69.50	43.50	40.00	10.00	12.00	14.00	3.90	6.50
ZL-MH 87/6	87701278	86.50	68.00	40.00	10.00	12.00	14.00	3.90	6.50
ZL-MH 87, VE 50	87701215	86.50	68.00	40.00	10.00	12.00	14.00	3.90	6.50
ZL-MH 103/6	87701282	102.50	84.00	40.00	10.00	12.00	14.00	3.90	6.50
ZL-MH 121/6	87701284	121.00	102.50	40.00	10.00	12.00	14.00	3.90	6.50
ZL-MH 140/6	87701286	139.50	121.00	40.00	10.00	12.00	14.00	3.90	6.50
ZL-MH 180/6	87701288	180.00	157.00	42.00	11.50	12.00	16.00	3.90	6.50

## ZL-AM strain relief



### PRODUCT INFORMATION

The ZL-AM strain relief plates are based on the ZL strain relief plate. The embedded brass discs hinder the cold flow deformation properties of the plastic under heavy and permanent vibration, thereby preventing the screwed connection from loosening by itself. Slot nuts and bolts enable simple assembly on C-rails.

- Very quick assembly
- Orderly cable routing
- Simple and effective strain relief with cable ties
- Micro-encapsulated PreCOTE thread coating serves as an added locking element
- Approved for railway technology (EN 45545-2)

### SPECIFICATIONS

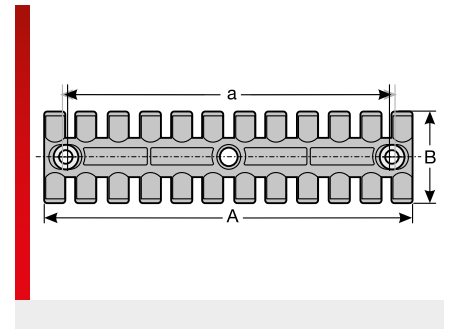
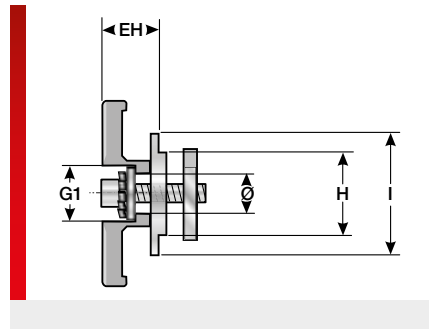
	-40 – 125 °C
	Polyamide 6.6
	V0

Type	Order No.	Colour	No. Cables	MOQ Pcs.
<b>For C-rail 16 mm</b>				
<b>Slot / inner span 22–27 mm</b>				
<b>Disc made of brass,</b>				
<b>Bolt made of 1.4301 stainless steel with UNC thread</b>				
<b>Tenon block made of 1.4301 stainless steel.</b>				
ZL-AM 39	87702210	Black	3	1
ZL-AM 60	87702212	Black	4	1
ZL-AM 87	87702214	Black	6	1
ZL-AM 103	87702216	Black	7	1
ZL-AM 121	87702218	Black	8	1
ZL-AM 140	87702220	Black	9	1
ZL-AM 180	87702222	Black	12	1

### Dimension table

Type	Order No.	A mm	a mm	B mm	EH mm	G1 mm	H mm	I mm	Ø mm
<b>For C-rail 16 mm</b>									
<b>Slot / inner span 22–27 mm</b>									
<b>Disc made of brass,</b>									
<b>Bolt made of 1.4301 stainless steel with UNC thread</b>									
<b>Tenon block made of 1.4301 stainless steel.</b>									
ZL-AM 39	87702210	38.50	19.50	40.00	12.00	12.00	16.00	26.00	5.00
ZL-AM 60	87702212	59.50	43.50	40.00	12.00	12.00	16.00	26.00	5.00
ZL-AM 87	87702214	86.50	68.00	40.00	12.00	12.00	16.00	26.00	5.00
ZL-AM 103	87702216	102.50	84.00	40.00	12.00	12.00	16.00	26.00	5.00
ZL-AM 121	87702218	121.00	102.50	40.00	12.00	12.00	16.00	26.00	5.00
ZL-AM 140	87702220	139.50	121.00	40.00	12.00	12.00	16.00	26.00	5.00

## ZL-SW strain relief



### PRODUCT INFORMATION

The ZL-SW strain relief plates are based on the ZL strain relief plate. The embedded brass discs hinder the cold flow deformation properties of the plastic under heavy and permanent vibration, thereby preventing the screwed connection from loosening by itself. Slot nuts and bolts enable simple assembly on C-rails.

- Orderly cable routing
- Simple and effective strain relief with cable ties
- Micro-encapsulated PreCOTE thread coating serves as an added locking element
- Approved for railway technology (EN 45545-2)

- Very quick assembly

### SPECIFICATIONS

	-40 – 125 °C
	Polyamide 6.6
	V0

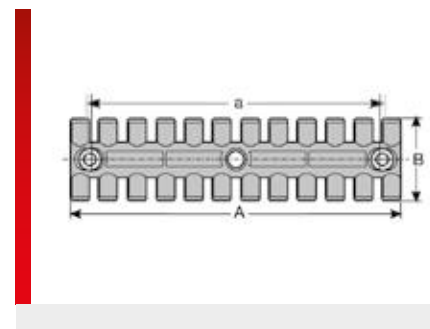
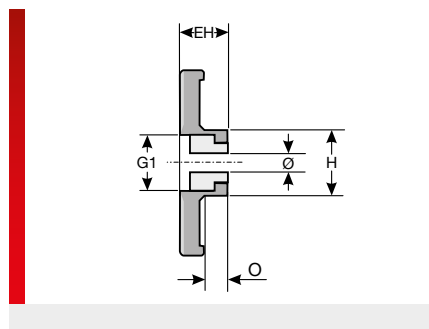
Type	Order No.	Colour	No. Cables	MOQ Pcs.
<b>For 12 mm C-rail</b>				
<b>Slot / inner span 27 mm</b>				
<b>Disc made of brass,</b>				
<b>Bolt made of 1.4301 stainless steel with metric thread</b>				
<b>Tenon block made of 1.4301 stainless steel</b>				
ZL-SW 39	87702410	Black	3	1
ZL-SW 60	87702412	Black	4	1
ZL-SW 87	87702414	Black	6	1
ZL-SW 103	87702416	Black	7	1
ZL-SW 121	87702418	Black	8	1
ZL-SW 140	87702420	Black	9	1
ZL-SW 180/6	87702422	Black	12	1

### Dimension table

Type	Order No.	A mm	a mm	B mm	EH mm	G1 mm	H mm	I mm	Ø mm
<b>For 12 mm C-rail</b>									
<b>Slot / inner span 27 mm</b>									
<b>Disc made of brass,</b>									
<b>Bolt made of 1.4301 stainless steel with metric thread</b>									
<b>Tenon block made of 1.4301 stainless steel</b>									
ZL-SW 39	87702410	38.50	19.50	40.00	12.00	12.00	11.60	18.00	6.20
ZL-SW 60	87702412	59.50	43.50	40.00	12.00	12.00	11.60	18.00	6.20
ZL-SW 87	87702414	86.50	68.00	40.00	12.00	12.00	11.60	18.00	6.20
ZL-SW 103	87702416	102.50	84.00	40.00	12.00	12.00	11.60	18.00	6.20
ZL-SW 121	87702418	121.00	102.50	40.00	12.00	12.00	11.60	18.00	6.20
ZL-SW 140	87702420	139.50	121.00	40.00	12.00	12.00	11.60	18.00	6.20
ZL-SW 180/6	87702422	180.00	157.00	42.00	13.50	12.00	11.60	18.00	6.20



## ZL-STRA, aluminium, strain relief



### PRODUCT INFORMATION

The ZL-STRA strain relief plates are based on the ZL strain relief plate. Due to the inserted aluminium sleeve with lower head than the ZL-AH, the ZL remains free of fixing forces.

- Approved for railway technology (EN 45545-2)

### SPECIFICATIONS

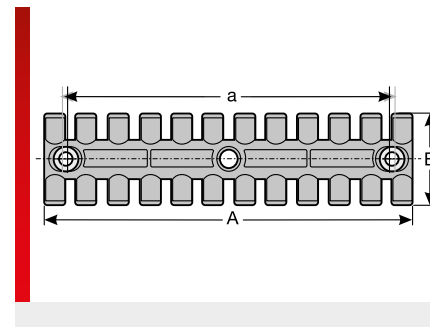
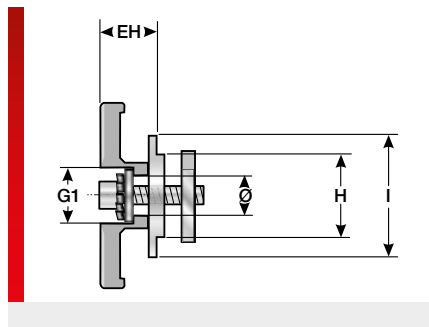
	-40 – 125 °C
	Polyamide 6.6
	V0

Type	Order No.	Colour	No. Cables	MOQ Pcs.
<b>With aluminium grommets, assembly with M5 screws</b>				
ZL-STRA 39, Alu UNC-Thread	87702510	Black	3	1
ZL-STRA 60, Alu UNC-Thread	87702520	Black	4	1
ZL-STRA 87, Alu UNC-Thread	87702530	Black	6	1
ZL-STRA 103, Alu UNC-Thread	87702540	Black	7	1
ZL-STRA 121, Alu UNC-Thread	87702550	Black	8	1
ZL-STRA 140, Alu UNC-Thread	87702560	Black	9	1
ZL-STRA 180, Alu UNC-Thread	87702570	Black	12	1

### Dimension table

Type	Order No.	A mm	a mm	B mm	EH mm	G1 mm	H mm	I mm	Ø mm
<b>With aluminium grommets, assembly with M5 screws</b>									
ZL-STRA 39, Alu UNC-Thread	87702510	38.50	19.50	40.00	12.00	12.00	15.70	26.00	5.20
ZL-STRA 60, Alu UNC-Thread	87702520	59.50	43.50	40.00	12.00	12.00	15.70	26.00	5.20
ZL-STRA 87, Alu UNC-Thread	87702530	86.50	68.00	40.00	12.00	12.00	15.70	26.00	5.20
ZL-STRA 103, Alu UNC-Thread	87702540	102.50	84.00	40.00	12.00	12.00	15.70	26.00	5.20
ZL-STRA 121, Alu UNC-Thread	87702550	121.00	102.50	40.00	12.00	12.00	15.70	26.00	5.20
ZL-STRA 140, Alu UNC-Thread	87702560	139.50	121.00	40.00	12.00	12.00	15.70	26.00	5.20
ZL-STRA 180, Alu UNC-Thread	87702570	180.00	157.00	42.00	13.50	12.00	15.70	26.00	5.20

## ZL-C strain relief



### PRODUCT INFORMATION

The ZL-C strain relief plates are based on the ZL strain relief plate. The embedded brass discs hinder the cold flow deformation properties of the plastic under heavy and permanent vibration, thereby preventing the screwed connection from loosening by itself. Slot nuts and bolts enable simple assembly on C-rails.

- Very quick assembly
- Orderly cable routing
- Simple and effective strain relief with cable ties
- Approved for railway technology (EN 45545-2)

### SPECIFICATIONS

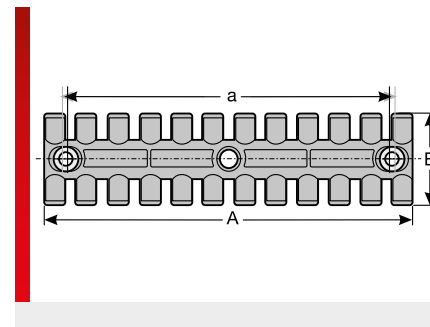
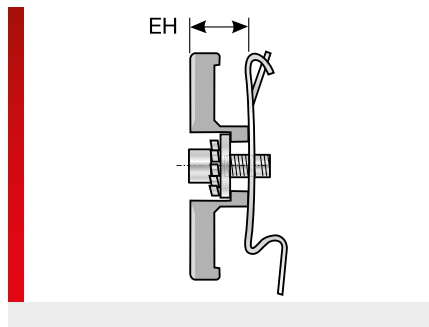
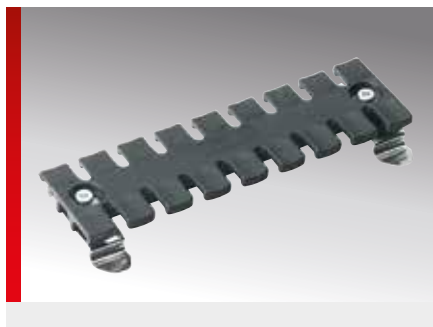
	-40 – 125 °C
	Polyamide 6.6
	V0

Type	Order No.	Colour	No. Cables	MOQ Pcs.
<b>For 11 mm C-rail / slot / inner span 21 mm</b>				
<b>Disc made of brass,</b>				
<b>Bolt made of steel with metric thread</b>				
<b>Tenon block made of steel</b>				
ZL-C 39	87702810	Black	3	1
ZL-C 60	87702812	Black	4	1
ZL-C 80	87702814	Black	6	1
ZL-C 87	87702816	Black	6	1
ZL-C 103	87702818	Black	7	1
ZL-C 121	87702820	Black	8	1
ZL-C 140	87702822	Black	9	1
ZL-C 180/6	87702824	Black	12	1

### Dimension table

Type	Order No.	A mm	a mm	B mm	EH mm	G1 mm	H mm	I mm	Ø mm
<b>For 11 mm C-rail / slot / inner span 21 mm</b>									
<b>disc made of brass,</b>									
<b>bolt made of steel with metric thread</b>									
<b>tenon block made of steel</b>									
ZL-C 39	87702810	38.50	19.50	40.00	12.00	12.00	10.60	18.00	9.00
ZL-C 60	87702812	59.50	43.50	40.00	12.00	12.00	10.60	18.00	9.00
ZL-C 80	87702814	79.50	68.00	40.00	12.00	12.00	10.60	18.00	9.00
ZL-C 87	87702816	86.50	68.00	40.00	12.00	12.00	10.60	18.00	9.00
ZL-C 103	87702818	102.50	84.00	40.00	12.00	12.00	10.60	18.00	9.00
ZL-C 121	87702820	121.00	102.50	40.00	12.00	12.00	10.60	18.00	9.00
ZL-C 140	87702822	139.50	121.00	40.00	12.00	12.00	10.60	18.00	9.00
ZL-C 180/6	87702824	180.00	157.00	42.00	13.50	12.00	10.60	18.00	9.00

## ZL-MF strain relief



### PRODUCT INFORMATION

The strain relief plate ZL-MF is based on the strain relief plate ZL. The pre-installed mounting feet enable simple, tool-free assembly on a 35mm top-hat rail (EN 50022). The feet are made of galvanised steel plate.

- Quick and easy to assemble and disassemble without the need for tools.
- Orderly cable routing
- Simple and effective strain relief with cable ties
- Approved for railway technology (EN 45545-2)

### SPECIFICATIONS

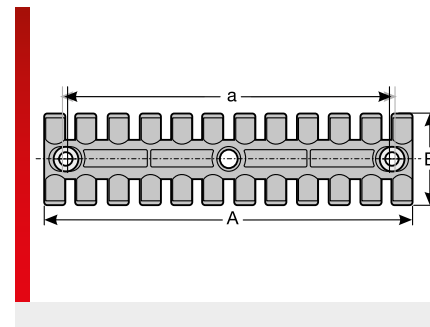
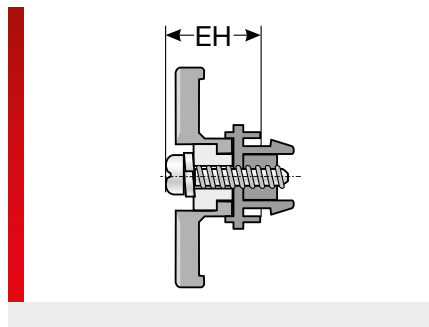
	-40 – 125 °C
	Polyamide 6.6
	V0

Type	Order No.	Colour	No. Cables	MOQ Pcs.
ZL-MF 39	87702610	Black	3	1
ZL-MF 70	87702614	Black	5	1
ZL-MF 140	87702622	Black	9	1

### Dimension table

Type	Order No.	A mm	a mm	B mm	EH mm
ZL-MF 39	87702610	38.50	19.50	40.00	10.00
ZL-MF 70	87702614	69.50	43.50	40.00	10.00
ZL-MF 140	87702622	139.50	121.00	40.00	10.00

## ZLF strain relief



### PRODUCT INFORMATION

The strain relief plate ZLF is based on the strain relief plate ZL. The fastening clips that are used allow for simply mounting on C-rails with 10 mm slot and a plate thickness of 2.0 mm maximum. The pre-mounted screw in the fastening clip allows the snap-on stand to be splayed and locked.

- Very quick assembly
- Orderly cable routing
- Simple and effective strain relief with cable ties
- Approved for railway technology (EN 45545-2)

### SPECIFICATIONS

- 40 – 125 °C
- Polyamide 6.6
- V0

Made in Germany

Type	Order No.	Colour	No. Cables	MOQ Pcs.
ZLF 39	87701410	Black	3	10
ZLF 60	87701412	Black	4	10
ZLF 87	87701414	Black	6	10
ZLF 103	87701416	Black	7	10
ZLF 121	87701418	Black	8	10
ZLF 140	87701420	Black	9	10

### Dimension table

Type	Order No.	A mm	a mm	B mm	EH mm
ZLF 39	87701410	38.50	19.50	40.00	17.00
ZLF 60	87701412	59.50	43.50	40.00	17.00
ZLF 87	87701414	86.50	68.00	40.00	17.00
ZLF 103	87701416	102.50	84.00	40.00	17.00
ZLF 121	87701418	121.00	102.50	40.00	17.00
ZLF 140	87701420	139.50	121.00	40.00	17.00

## KDZL strain relief



### PRODUCT INFORMATION

The KDZL 24 strain relief module is manufactured from thermoplastic rubber. When combined with KDP/F, the KDZL 24 is a strain relief for cables and pneumatic hoses such as those used in control cabinets, plant or machine construction. Strain relief is achieved e.g. by installing cable ties. Wherever quick assembly, cable-protection and high packing density are required, including good strain relief, the strain relief module is the solution.

Special benefits of the KDZL are:

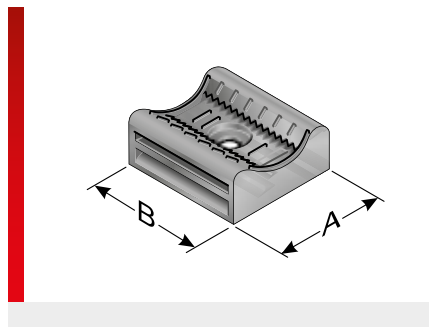
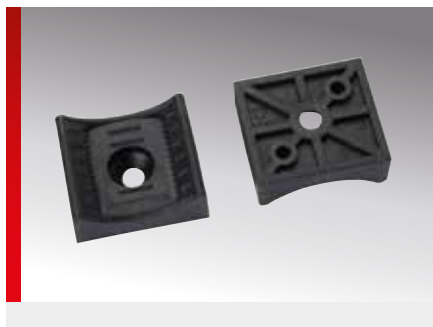
- Enormous time savings in assembly
- High packing density
- Standard cut-out dimensions
- Large wire diameter ranges
- Easy assembly
- High degree of strain relief

### SPECIFICATIONS

	-30 – 100 °C			
	Thermoplastic elastomer (TPE)			
	HB			

Type	Order No.	Colour	Suitable for	MOQ Pcs.
KDZL 24-14, sw	87302210	Black	KDP/F 24/14	5
KDZL 24-22, sw	87302220	Black	KDP/F 24/22	5
KDZL 24-28, sw	87302240	Black	KDP/F 24/28	5
KDZL 24-46, sw	87302250	Black	KDP/F 24/46	5

## KS-fix strain relief



### PRODUCT INFORMATION

The Velcro base serves as installation aid for carefully fixing wires, cables and conduits. The base can be equipped at various lengths without tools by just using our Velcro tapes. The Velcro base is designed for direct mounting, using countersunk screws.

- Velcro tapes at variable lengths
- Gentle wire fixing without constrictions
- Reusable
- Cable bundles can easily be expanded
- Easy handling
- Reduced risk of injury compared to trimmed cable ties

### SPECIFICATIONS

	Polyamide 6.6
	V0

Type	Order No.	Colour	Suitable for	MOQ Pcs.
KS-fix 4-20 <sup>1)</sup>	87705050	Black	KB-fix 10	10
KS-fix 8-35 <sup>1)</sup>	87705060	Black	KB-fix 20	10
KS-fix 10-60 <sup>1)</sup>	87705070	Black	KB-fix 20	10
KS-fix 20-100 <sup>2)</sup>	87705080	Black	KB-fix 30	10

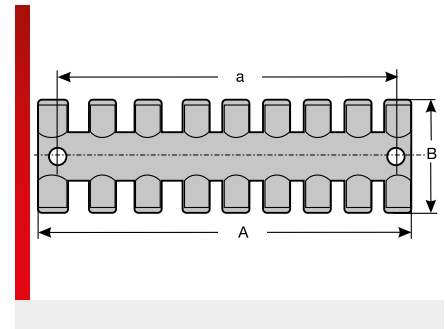
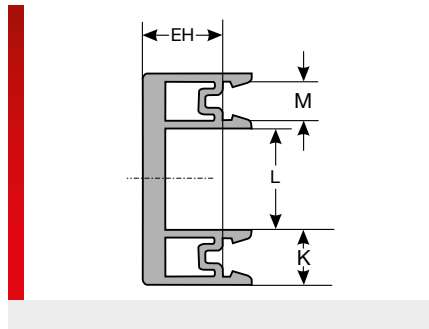
<sup>1)</sup> Mounted with M5 screws

<sup>2)</sup> Mounted with M6 screws

### Dimension table

Type	Order No.	A mm	B mm
KS-fix 4-20 <sup>1)</sup>	87705050	19.00	15.00
KS-fix 8-35 <sup>1)</sup>	87705060	29.00	26.00
KS-fix 10-60 <sup>1)</sup>	87705070	36.00	26.00
KS-fix 20-100 <sup>2)</sup>	87705080	62.00	38.00

## KAF cable fixing plate



### PRODUCT INFORMATION

The cable fixing plate KAF is suitable for simultaneously holding and relieving the strain of cables in the control cabinet. Designed to be mounted on a standard 35 mm top-hat rail (EN 50022; Niedax 2934;2936) or on a C-rail (Niedax 2970;2971). Installation is a simple snap-in process.

- Approved for railway technology (EN 45545-2)

### SPECIFICATIONS

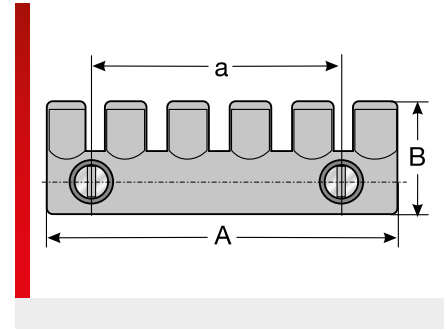
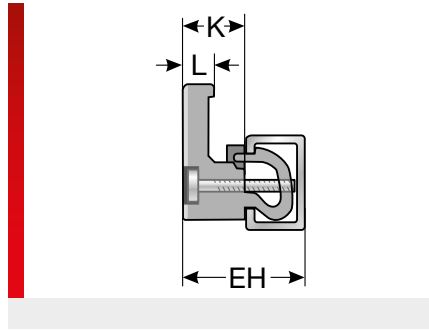
- 40 – 125 °C
- Polyamide 6.6
- V0

Type	Order No.	Colour	No. Cables	MOQ Pcs.
KAF 11	87201010	Black	1	1
KAF 75	87201014	Black	5	1
KAF 140	87201018	Black	9	1

### Dimension table

Type	Order No.	A mm	B mm	a mm	EH mm	K mm	L mm	M mm
KAF 11	87201010	11.50	40.00		11.00	13.50	12.00	9.30
KAF 75	87201014	75.00	40.00	63.00	11.00	13.50	12.00	9.30
KAF 140	87201018	139.50	40.00	127.80	11.00	13.50	12.00	9.30

## KAF/NI cable fixing plate



### PRODUCT INFORMATION

The cable fixing plate KAF is suitable for simultaneously holding and relieving the strain of cables in the control cabinet. Mounted using Niedax model 2910 C-rail. Installation is a simple snap-in process. Additional securing through lock screw.

- Approved for railway technology (EN 45545-2)

### SPECIFICATIONS

	-40 – 125 °C
	Polyamide 6.6
	V0

--	--	--	--	--

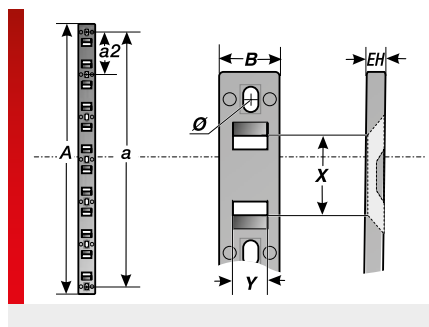
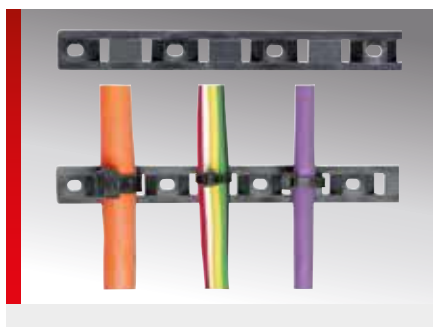
Type	Order No.	Colour	No. Cables	MOQ Pcs.
KAF/NI 100	87201006	Black	6	1

### Dimension table

Type	Order No.	A mm	B mm	a mm	EH mm	K mm	L mm
KAF/NI 100	87201006	100.00	24.00	67.00	22.00	12.00	5.60



## KBL cable tie rail



### PRODUCT INFORMATION

Quick and easy fitting of cables.  
Cable ties may be pushed on if a rail is already fitted.

### SPECIFICATIONS

- 40 – 80 °C
- Polyamide PA6
- V0

RoHS

LABS

ISO 4002-2

Made in Germany

Type	Order No.	Colour	No. Cables	MOQ Pcs.
KBL 245 x 15	87702122	Black	6	100
KBL 245 x 15	87702120	Black	6	1

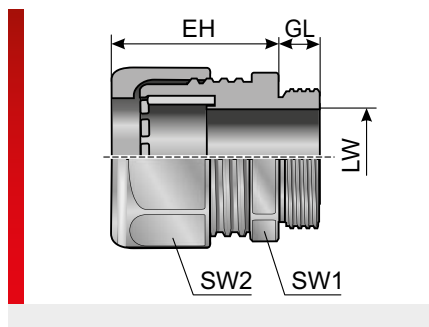
### Dimension table

Type	Order No.	A mm	B mm	a mm	a2 mm	EH mm	X mm	Y mm	Ø mm
KBL 245 x 15	87702122	245.00	15.60	231.00	38.50	5.10	24.00	8.60	4.00
KBL 245 x 15	87702120	245.00	15.60	231.00	38.50	5.10	24.00	8.60	4.00



## Cable fittings m-seal

## Cable fitting m-seal KV (plastic version)



### PRODUCT INFORMATION

The m-seal cable fittings are manufactured of specially modified Polyamide and the seal is made of NBR.

m-seal cable fittings feature the following advantages:

- Large seal and clamping area
- With integrated strain relief
- High protection class IP 68
- Simple, fast assembly without special tools

### SPECIFICATIONS

- 40 – 100 °C short term 150 °C
- 
- Self-extinguishing acc. to UL94 V2
- IP 68
- Strain relief according to DIN EN 50262



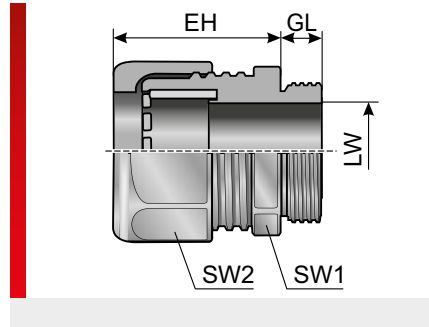
Type	Order No.	Colour	Connecting thread	Clamping range (LW) mm	EH mm	GL mm	SW 1 / 2 mm	MOQ Pcs.
<b>Metric plastic thread</b>								
m-seal KV M12x1.5 3.0-6.5 <sup>1)</sup>	84181250	Black	M12x1.5	3.0 – 6.5	22.00	6.00	15.0	100
m-seal KV M16x1.5 4.0-8.0 <sup>1)</sup>	84181252	Black	M16x1.5	4.0 – 8.0	25.00	8.00	19.0	50
m-seal KV M20x1.5 6.0-12.0 <sup>2)</sup>	84181254	Black	M20x1.5	6.0 – 12.0	29.00	10.00	24.0	50
m-seal KV M25x1.5 11.0-17.0 <sup>2)</sup>	84181256	Black	M25x1.5	11.0 – 17.0	33.00	8.00	29.0	50
m-seal KV M32x1.5 15.0-21.0 <sup>2)</sup>	84181258	Black	M32x1.5	15.0 – 21.0	39.00	10.00	36.0	25
m-seal KV M40x1.5 19.0-28.0 <sup>2)</sup>	84181260	Black	M40x1.5	19.0 – 28.0	44.00	10.00	46.0	20
m-seal KV M50x1.5 30.0-38.0 <sup>2)</sup>	84181262	Black	M50x1.5	30.0 – 38.0	49.00	18.00	60.0	10
m-seal KV M63x1.5 34.0-44.0 <sup>2)</sup>	84181264	Black	M63x1.5	34.0 – 44.0	49.00	18.00	65.0	10
<b>Pg plastic threading</b>								
m-seal KV Pg 7 3.0-6.5 <sup>1)</sup>	84181050	Black	Pg 07	3.0 – 6.5	22.00	8.00	15.0	100
m-seal KV Pg 9 4.0-8.0 <sup>1)</sup>	84181052	Black	Pg 09	4.0 – 8.0	25.00	8.00	19.0	50

### Cable fitting m-seal KV (plastic version) (continued)

Type	Order No.	Colour	Connecting thread	Clamping range (LW) mm	EH mm	GL mm	SW 1 / 2 mm	MOQ Pcs.
m-seal KV Pg 11 5.0-10.0 <sup>3)</sup>	84181054	Black	Pg 11	5.0 – 10.0	28.00	8.00	22.0	50
m-seal KV Pg 13.5 6.0-12.0 <sup>2)</sup>	84181056	Black	Pg 13.5	6.0 – 12.0	29.00	9.00	24.0	50
m-seal KV Pg 16 10.0-14.0 <sup>4)</sup>	84181058	Black	Pg 16	10.0 – 14.0	31.00	10.00	27.0	50
m-seal KV Pg 21 13.0-18.0 <sup>2)</sup>	84181060	Black	Pg 21	13.0 – 18.0	35.00	11.00	33.0	25
m-seal KV Pg 29 18.0-25.0 <sup>4)</sup>	84181062	Black	Pg 29	18.0 – 25.0	40.00	11.00	42.0	20
m-seal KV Pg 36 22.0-32.0 <sup>2)</sup>	84181064	Black	Pg 36	22.0 – 32.0	49.00	13.00	53.0	10
m-seal KV Pg 42 30.0-38.0 <sup>2)</sup>	84181066	Black	Pg 42	30.0 – 38.0	49.00	13.00	60.0	10
m-seal KV Pg 48 34.0-44.0 <sup>2)</sup>	84181068	Black	Pg 48	34.0 – 44.0	49.00	14.00	65.0	10
m-seal KV Pg 7 3.0-6.5 <sup>1)</sup>	84181000	Grey	Pg 07	3.0 – 6.5	22.00	8.00	15.0	100
m-seal KV Pg 9 4.0-8.0 <sup>1)</sup>	84181002	Grey	Pg 09	4.0 – 8.0	25.00	8.00	19.0	50
m-seal KV Pg 11 5.0-10.0 <sup>3)</sup>	84181004	Grey	Pg 11	5.0 – 10.0	28.00	8.00	22.0	50
m-seal KV Pg 13.5 6.0-12.0 <sup>2)</sup>	84181006	Grey	Pg 13.5	6.0 – 12.0	29.00	9.00	24.0	50
m-seal KV Pg 16 10.0-14.0 <sup>4)</sup>	84181008	Grey	Pg 16	10.0 – 14.0	31.00	10.00	27.0	50
m-seal KV Pg 21 13.0-18.0 <sup>2)</sup>	84181010	Grey	Pg 21	13.0 – 18.0	35.00	11.00	33.0	25
m-seal KV Pg 29 18.0-25.0 <sup>4)</sup>	84181012	Grey	Pg 29	18.0 – 25.0	40.00	11.00	42.0	20
m-seal KV Pg 36 22.0-32.0 <sup>2)</sup>	84181014	Grey	Pg 36	22.0 – 32.0	49.00	13.00	53.0	10
m-seal KV Pg 42 30.0-38.0 <sup>2)</sup>	84181016	Grey	Pg 42	30.0 – 38.0	49.00	13.00	60.0	10
m-seal KV Pg 48 34.0-44.0 <sup>2)</sup>	84181018	Grey	Pg 48	34.0 – 44.0	49.00	14.00	65.0	10

<sup>1)</sup> With UR approval  
<sup>2)</sup> With UL approval  
<sup>3)</sup> With cURus-approval  
<sup>4)</sup> With cULus-approval

## Cable fitting m-seal MV (metal version)



### PRODUCT INFORMATION

The m-seal cable fittings are made of nickel-plated brass and the sealing ring of neoprene. The fittings offer excellent strain relief and have a cap nut that is resistant to vibration.

m-seal cable fittings feature the following advantages:

- Large seal and clamping area
- With integrated strain relief
- High protection class IP 68
- Simple, fast assembly without special tools

### SPECIFICATIONS

- 40 – 100 °C short term 150 °C
- 
- Self-extinguishing acc. to UL94 V2
- IP 68
- Strain relief according to DIN EN 50262



Type	Order No.	Connecting thread	Clamping range (LW) mm	EH mm	GL mm	SW 1 / 2 mm	MOQ Pcs.
<b>Metric metal thread</b>							
m-seal MV M12x1.5 3.0-6.5 <sup>1)</sup>	84201600	M12x1.5	3.0 – 6.5	21.50	6.00	14.0	50
m-seal MV M16x1.5 5.0-10.0 <sup>2)</sup>	84201602	M16x1.5	5.0 – 10.0	25.30	7.00	20.0	50
m-seal MV M20x1.5 6.0-12.0 <sup>1)</sup>	84201604	M20x1.5	6.0 – 12.0	25.40	8.00	22.0	50
m-seal MV M25x1.5 11.0-17.0 <sup>3)</sup>	84201606	M25x1.5	11.0 – 17.0	31.00	8.00	27.0	25
m-seal MV M32x1.5 15.0-21.0 <sup>3)</sup>	84201608	M32x1.5	15.0 – 21.0	33.50	8.00	34.0	10
m-seal MV M40x1.5 19.0-28.0 <sup>3)</sup>	84201610	M40x1.5	19.0 – 28.0	42.00	9.00	43.0	10
m-seal MV M50x1.5 27.0-38.0 <sup>3)</sup>	84201612	M50x1.5	27.0 – 38.0	50.00	9.00	58.0	5
m-seal MV M63x1.5 34.0-44.0 <sup>1)</sup>	84201614	M63x1.5	34.0 – 44.0	52.30	14.00	64.0 / 68.0	5
<b>Pg metal thread</b>							
m-seal MV Pg 7 3.0-6.5 <sup>1)</sup>	84201000	Pg 07	3.0 – 6.5	21.80	6.00	14.0	50
m-seal MV Pg 9 4.0-8.0 <sup>1)</sup>	84201002	Pg 09	4.0 – 8.0	22.60	6.00	17.0	50
m-seal MV Pg 11 5.0-11.0 <sup>1)</sup>	84201004	Pg 11	5.0 – 11.0	25.30	6.00	20.0	50
m-seal MV Pg 13.5 6.0-12.0 <sup>1)</sup>	84201006	Pg 13.5	6.0 – 12.0	24.10	6.50	22.0	50
m-seal MV Pg 16 10.0-14.0 <sup>1)</sup>	84201008	Pg 16	10.0 – 14.0	27.50	6.50	24.0	25
m-seal MV Pg 21 13.0-18.0 <sup>1)</sup>	84201010	Pg 21	13.0 – 18.0	31.20	7.20	30.0	20
m-seal MV Pg 29 18.0-25.0 <sup>1)</sup>	84201012	Pg 29	18.0 – 25.0	39.30	8.00	40.0	10
m-seal MV Pg 36 22.0-32.0 <sup>1)</sup>	84201014	Pg 36	22.0 – 32.0	47.20	9.00	50.0	5
m-seal MV Pg 42 30.0-38.0 <sup>1)</sup>	84201016	Pg 42	30.0 – 38.0	47.70	12.00	58.0	5
m-seal MV Pg 48 34.0-44.0 <sup>1)</sup>	84201018	Pg 48	34.0 – 44.0	52.00	14.00	64.0	5
<b>Long, metal metric threading</b>							
m-seal MV M12x1.5-L 3.0-6.5	84201400	M12x1.5	3.0 – 6.5	21.50	12.00	14.0	50

**Cable fitting m-seal MV (metal version)** (continued)

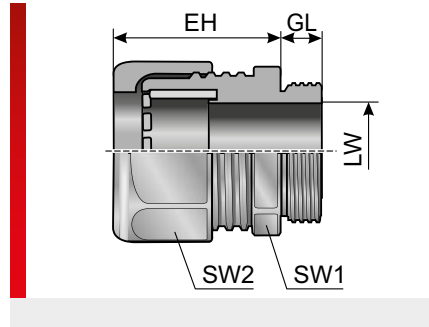
Type	Order No.	Connecting thread	Clamping range (LW) mm	EH mm	GL mm	SW 1 / 2 mm	MOQ Pcs.
m-seal MV M16x1.5-L 5.0-10.0	84201402	M16x1.5	5.0 – 10.0	25.30	12.00	20.0	50
m-seal MV M20x1.5-L 6.0-12.0	84201404	M20x1.5	6.0 – 12.0	25.40	12.00	22.0	50
m-seal MV M25x1.5-L 11.0-17.0	84201406	M25x1.5	11.0 – 17.0	31.00	12.00	27.0	25
m-seal MV M32x1.5-L 15.0-21.0	84201408	M32x1.5	15.0 – 21.0	33.50	15.00	34.0	10
m-seal MV M40x1.5-L 19.0-28.0	84201410	M40x1.5	19.0 – 28.0	42.00	15.00	43.0	10
m-seal MV M50x1.5-L 27.0-38.0	84201412	M50x1.5	27.0 – 38.0	50.00	15.00	58.0	5
m-seal MV M63x1.5-L 34.0-44.0	84201414	M63x1.5	34.0 – 44.0	52.30	15.00	64.0 / 68.0	5
<b>Long, metal PG threading</b>							
m-seal MV Pg 7-L 3.0-6.5	84201200	Pg 07	3.0 – 6.5	21.80	10.00	14.0	50
m-seal MV Pg 9-L 4.0-8.0	84201202	Pg 09	4.0 – 8.0	22.60	10.00	17.0	50
m-seal MV Pg 11-L 5.0-11.0	84201204	Pg 11	5.0 – 11.0	25.30	10.00	20.0	50
m-seal MV Pg 13.5-L 6.0-12.0	84201206	Pg 13.5	6.0 – 12.0	24.10	10.00	22.0	50
m-seal MV Pg 16-L 10.0-14.0	84201208	Pg 16	10.0 – 14.0	27.50	10.00	24.0	25
m-seal MV Pg 21-L 13.0-18.0	84201210	Pg 21	13.0 – 18.0	31.20	12.00	30.0	20
m-seal MV Pg 29-L 18.0-25.0	84201212	Pg 29	18.0 – 25.0	39.30	12.00	40.0	10
m-seal MV Pg 36-L22.0-32.0	84201214	Pg 36	22.0 – 32.0	47.20	14.00	50.0	5
m-seal MV Pg 42-L 30.0-38.0	84201216	Pg 42	30.0 – 38.0	47.70	16.00	58.0	5
m-seal MV Pg 48-L 34.0-44.0	84201218	Pg 48	34.0 – 44.0	52.00	18.00	64.0	5

<sup>1)</sup> With CSA-approval

<sup>2)</sup> With CSA- and cURus-approval

<sup>3)</sup> With CSA- and cULus-approval

## Cable fitting m-seal EMC (EMV)



### PRODUCT INFORMATION

With the m-seal EMC (EMV) cable fittings, simple radial and axial movement of the cable are possible, even at contact location. The contact finger surfaces with rounded edges prevent damage to the conductor. In addition, the large surface on the contact finger makes low contact resistance possible, even on loosely woven cables (the contact area does not press into the conductor).

The m-seal EMC (EMV) cable fitting features the following advantages:

- Large seal and clamping area
- With integrated strain relief
- High protection class IP 68
- High contract rating, even at vibration conditions
- Very simple and rapid assembly without tools
- Suitable for the highest requirements of today's technology
- Very good shielding attenuation

### SPECIFICATIONS

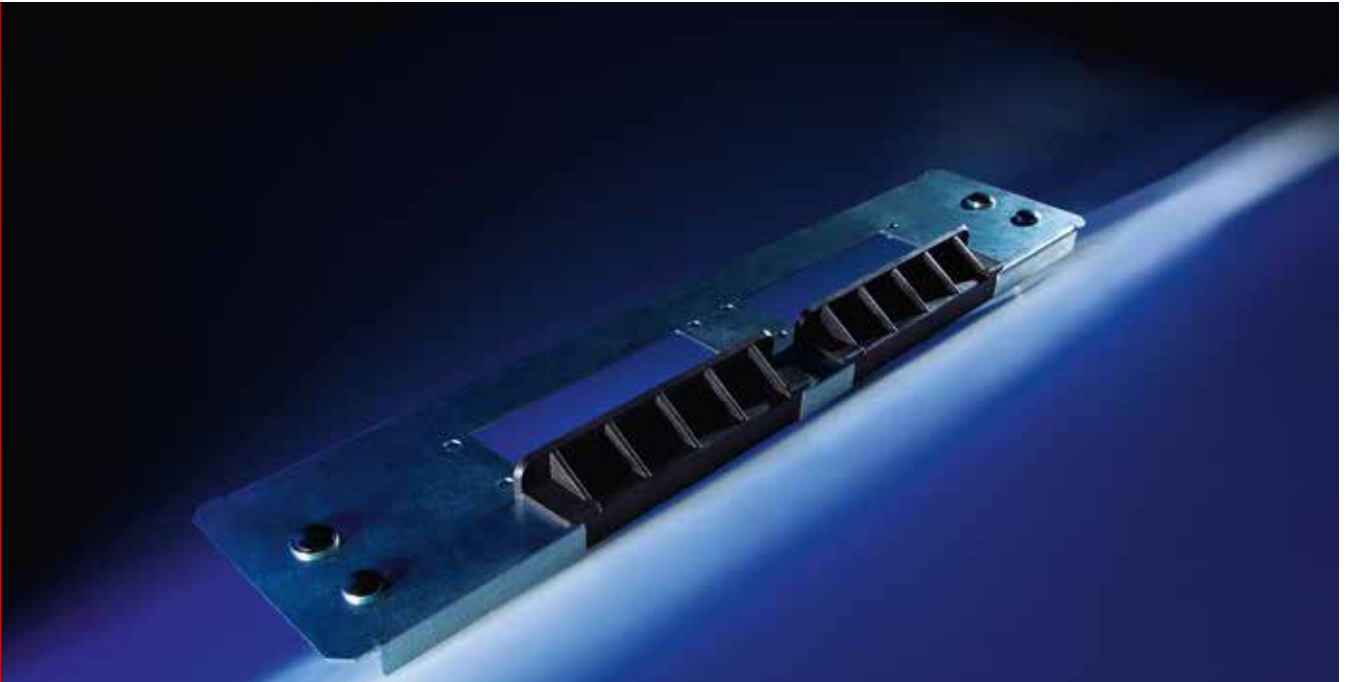
- 40 – 100 °C short term 150 °C
- 
- Self-extinguishing acc. to UL94 V2
- IP 68
- Strain relief according to DIN EN 50262



Type	Order No.	Connecting thread	Clamping range (LW) mm	Contact diameter mm	EH mm	GL mm	SW 1 / 2 mm	MOQ Pcs.
<b>Metric metal thread / EMC version</b>								
m-seal EMC M12x1.5 3.0-6.5 <sup>1)</sup>	84201800	M12x1.5	3.0 – 6.5	2.0 – 5.0	28.00	6.00	14.0	50
m-seal EMC M16x1.5 5.0-10.0 <sup>1)</sup>	84201802	M16x1.5	5.0 – 10.0	3.5 – 8.0	34.00	6.00	20.0	50
m-seal EMC M20x1.5 6.0-12.0	84201804	M20x1.5	6.0 – 12.0	4.5 – 10.0	38.00	6.00	24.0	50
m-seal EMC M25x1.5 10.0-18.0 <sup>1)</sup>	84201806	M25x1.5	10.0 – 18.0	7.0 – 14.0	42.00	8.00	30.0	25
m-seal EMC M32x1.5 16.0-25.0 <sup>2)</sup>	84201808	M32x1.5	16.0 – 25.0	12.0 – 20.0	50.00	9.00	40.0	10
m-seal EMC M40x1.5 22.0-32.0 <sup>2)</sup>	84201810	M40x1.5	22.0 – 32.0	18.0 – 27.0	57.00	9.00	50.0	5
m-seal EMC M50x1.5 30.0-38.0 <sup>2)</sup>	84201812	M50x1.5	30.0 – 38.0	26.0 – 34.0	68.00	9.00	58.0	5
m-seal EMC M63x1.5 34.0-44.0 <sup>2)</sup>	84201814	M63x1.5	34.0 – 44.0	30.0 – 40.0	69.00	14.00	64.0 / 68.0	5

<sup>1)</sup>With cURus-approval

<sup>2)</sup>With cULus-approval



## Accessories



### BS-KDP-Z dummy plug



#### PRODUCT INFORMATION

With dummy plugs of type BS-KDP-Z no longer required entries of KDP/Z and KDP/ZR can be closed securely and tightly. They serve as a subsequent seal.

#### SPECIFICATIONS

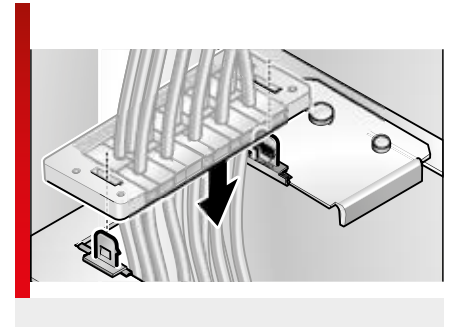
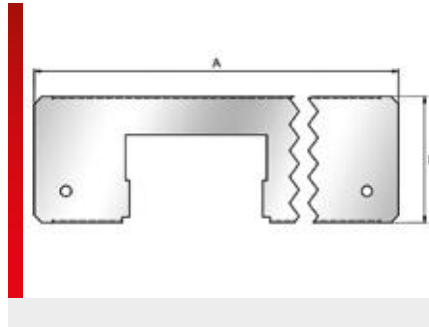
	-40 – 125 °C
	Polyamide 6.6
	V0

				
--	--	--	--	--

Type	Order No.	Colour	MOQ Pcs.
BS-KDP-Z 2-4mm	87303070	Black	50
BS-KDP-Z 3-6mm	87303072	Black	50
BS-KDP-Z 5-9mm	87303074	Black	50
BS-KDP-Z 7.5-12mm	87303076	Black	50
BS-KDP-Z 10-16mm	87303078	Black	50
BS-KDP-Z 14-20mm	87303080	Black	50



## SBB control cabinet floor plate



### PRODUCT INFORMATION

The control cabinet floor plate can be installed in Rittal (type CM, TS8 and VX) control cabinets. Up to 5 cable entry systems can be installed.

The scope of delivery of the switch cabinet base plate (type SBB) includes the closure plates type VP 24 or VP/N 24. These are required to lock the floor sheeting into place. The SBB-VX control cabinet base plate is supplied without closing plates.

Unnecessary cut-outs can be covered with the BP/H 24 blanking plate.

- Protection category IP 54 when properly assembled as a system (control cabinet + floor plate)
- Can be installed entirely retrospectively
- Earthing points (M6 and M8) available on both side

### SPECIFICATIONS

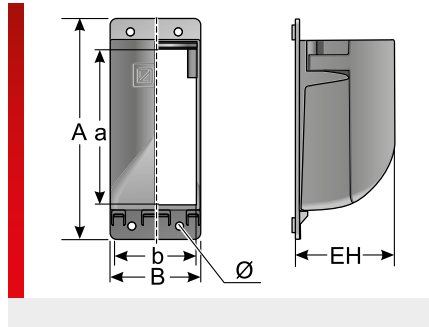
- 40 – 125 °C
- Floor sheeting: Galvanised sheet steel  
Locking plate: Polyamide 6.6
- V0
- IP 54 when installed correctly

Made in Germany

Type	Order No.	For control cabinet width mm	No. Holder slots	Cut-out	Plate thickness mm	A mm	B mm	MOQ Pcs.
<b>and M5 threads</b>								
SBB-M5 420-2000 <sup>1)</sup>	87821012	1000.00	2x 24-pin	TS8	1.50	424.00	100.00	1
SBB-M5 460-2000	87821022	600.00	2x 24-pin	TS8	1.50	464.00	100.00	1
SBB-M5 520-3000 <sup>1)</sup>	87821032	1200.00	3x 24-pin	TS8	1.50	524.00	100.00	1
SBB-M5 660-3000	87821042	800.00	3x 24-pin	TS8	1.50	664.00	100.00	1
<b>Without locking plate</b>								
SBB-VX-M5 440 <sup>1)</sup>	87821013	1000.00	2x 24-pin	VX	1.50	440.00	100.00	1
SBB-VX-M5 490	87821023	600.00	2x 24-pin	VX	1.50	490.00	100.00	1
SBB-VX-M5 540 <sup>1)</sup>	87821033	1200.00	3x 24-pin	VX	1.50	540.00	100.00	1
SBB-VX-M5 690	87821043	800.00	3x 24-pin	VX	1.50	690.00	100.00	1
<b>with through-hole</b>								
SBB 420-2000 <sup>1)</sup>	87821010	1000.00	2x 24-pin	TS8	1.50	424.00	100.00	1
SBB 460-2000	87821020	600.00	2x 24-pin	TS8	1.50	464.00	100.00	1
SBB 520-3000 <sup>1)</sup>	87821030	1200.00	3x 24-pin	TS8	1.50	524.00	100.00	1
SBB 660-3000	87821040	800.00	3x 24-pin	TS8	1.50	664.00	100.00	1
SBB 860-5000 <sup>2)</sup>	87821050	1000.00	5x 24-pin	TS8	1.50	864.00	100.00	1
<b>Without locking plate</b>								
SBB-VX 440 <sup>1)</sup>	87821011	1000.00	2x 24-pin	VX	1.50	440.00	100.00	1
SBB-VX 490	87821021	600.00	2x 24-pin	VX	1.50	490.00	100.00	1
SBB-VX 540 <sup>1)</sup>	87821031	1200.00	3x 24-pin	VX	1.50	540.00	100.00	1
SBB-VX 690	87821041	800.00	3x 24-pin	VX	1.50	690.00	100.00	1



## KDP/H conduit connection



### PRODUCT INFORMATION

The KDP/H conduit connection enables a connection to our Murrflex M50/P48 cable protection conduits with standard corrugation on the cable entry plates of Types KDP/N 24, KDP/X 24 and KDP/E 24. The conduit connection is comprised of a lower part that is screwed together with the cable entry plate and an upper part that engages with the lower part after the cables have been feed through the cable entry plate without tools.

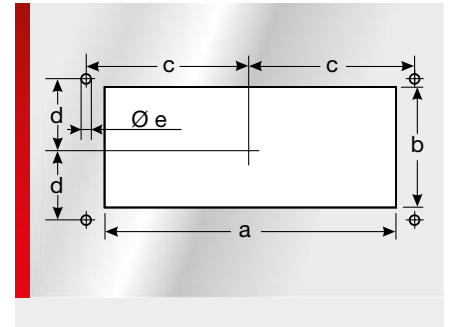
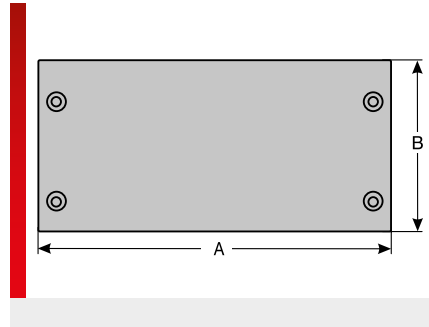
- Line protection
- Contaminant water and water jet protection
- Easy assembly and disassembly
- Compact design
- For all Murrflex conduits of sizes M50/P48 with standard corrugation

### SPECIFICATIONS

	-40 – 110 °C
	Polyamide 6
	V0

Type	Order No.	Colour	A mm	B mm	a mm	b mm	Ø mm	EH mm	MOQ Pcs.
KDP/H 48	87301098	Black	148.00	60.00	53.00	106.00	5.50	65.00	1

## Blanking plate (plastic version)



### PRODUCT INFORMATION

The blanking plates are suited for sealing 16- or 24-pole plug connector cut-outs.

- Integrated seal
- BP/N can be snap-fitted or screw-fastened
- BP/H snap-fit assembly

### SPECIFICATIONS

	-40 – 125 °C
	BP, BP/N: Polyamide 6.6 BP/H: Thermoplastic elastomer (TPE)
	V0 BP, BP/N: HB BP/H:
	IP 54 BP: IP 65 BP/N: IP 42 BP/H:

Type	Order No.	Colour	MOQ Pcs.
<b>Reinforced version</b>			
BP 16	87171620	Black	10
BP 24	87171622	Black	10
<b>High design, latchable from plate thickness 1.5–2.0 mm</b>			
BP/N 24	87171624	Black	1
<b>Flexible version</b>			
BP/H 24	87171626	Black	1

### Dimension table

Type	Order No.	Installation height mm	A mm	B mm	a mm	b mm	c mm	d mm	e mm
<b>Reinforced version</b>									
BP 16	87171620	8.00	116.00	58.00	86.00	36.00	51.50	16.00	5.50
BP 24	87171622	8.00	146.00	58.00	112.00	36.00	65.00	16.00	5.50
<b>High design, latchable from plate thickness 1.5–2.0 mm</b>									
BP/N 24	87171624	15.50	146.00	58.00	112.00	36.00	65.00	16.00	5.50
<b>Flexible version</b>									
BP/H 24	87171626	4.50	146.00	48.00	112.00	36.00	65.00	16.00	5.50

## Blanking plate (metal version)



### PRODUCT INFORMATION

Blanking plate for closing off unused adapter positions and cut-outs. The stainless steel version is particularly suitable for applications in the food and chemical industry.

Integrated threaded bolts mean that no screws are visible from outside. Mounting set included in delivery.

### SPECIFICATIONS

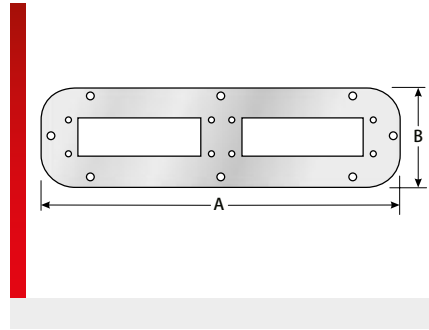


Plate: see article  
Seal: NBR



Type	Order No.	Colour	Material Plate	MOQ Pcs.
KDP BP 120/190 V4A	87663145	Smoothed	V4A (1.4571)	1
KDP BP 120/190 ALU	87663096	RAL 7035	AlMg3 (3.3535)	1
KDP BP 90/144 ALU	87663091	RAL 7035	AlMg3 (3.3535)	1
KDP BP 90/221 ALU	87663093	RAL 7035	AlMg3 (3.3535)	1
KDP BP 100/145 V4A	87663090	Smoothed	V4A (1.4571)	1
KDP BP 105/155 ALU	87663092	RAL 7035	AlMg3 (3.3535)	1
KDP BP 105/155 V4A	87663094	Smoothed	V4A (1.4571)	1

## Adapter plate Rittal



### PRODUCT INFORMATION

The Rittal adapter plates can be directly mounted into the prefabricated cut-outs from Rittal casings. They serve to retain various Murrplastik cable entry systems. Unused adapter spaces can be closed off using blanking plates.

### SPECIFICATIONS

Stainless steel V2A (1.4301)  
 V4A (1.4571)  
 Steel (1.1203)

Type	Order No.	Colour	Holder slots	Cut-out	Plate thickness mm	A mm	B mm	MOQ Pcs.
<b>With integral M5/M6 threading</b>								
AP/RI-TS/1+1-M6 St-vz	87663220	Grey	1x KDL-Jumbo 1	TS8	2.00	338.00	168.00	1
			1x KDL-Jumbo 2					
AP/RI-TS/1+2-M5/M6 St-vz	87663216	Grey	1x KDL-Jumbo 1	TS8	2.00	338.00	168.00	1
			2x 24-pin					
AP/RI-TS/2-M6 St-vz	87663218	Grey	2x KDL-Jumbo 1	TS8	2.00	338.00	168.00	1
APM/RI-2 1x24-M5, RAL 7035 <sup>1)</sup>	87823080	RAL 7035	1x 24-pin	2	1.50	221.00	90.00	1
APM/RI-3 1x24-M5, RAL 7035 <sup>1)</sup>	87823070	RAL 7035	1x 24-pin	3	1.50	330.00	90.00	1
APM/RI-3 2x24-M5, RAL 7035 <sup>1)</sup>	87823072	RAL 7035	2x 24-pin	3	1.50	330.00	90.00	1
APM/RI-4 2x24-M5, RAL 7035 <sup>1)</sup>	87823050	RAL 7035	2x 24-pin	4	1.50	339.00	149.00	1
APM/RI-4 4x24-M5, RAL 7035 <sup>1)</sup>	87823052	RAL 7035	4x 24-pin	4	1.50	339.00	149.00	1
APM/RI-5 3x24-M5, RAL 7035 <sup>1)</sup>	87823060	RAL 7035	3x 24-pin	5	1.50	534.00	149.00	1
APM/RI-5 6x24-M5, RAL 7035 <sup>1)</sup>	87823062	RAL 7035	6x 24-pin	5	1.50	534.00	149.00	1
KDP AP/RI-TS/3-M5	87663212	Smoothed	3x 24-pin	TS8	2.00	338.00	168.00	1
KDP AP/RI-TS/4-M5	87663214	Smoothed	4x 24-pin	TS8	2.00	338.00	168.00	1
<b>With 24-pin cut-outs</b>								
APM/RI-2 1x24, RAL 7035 <sup>1)</sup>	87823040	RAL 7035	1x 24-pin	2	1.50	221.00	90.00	1
APM/RI-3 1x24, RAL 7035 <sup>1)</sup>	87823030	RAL 7035	1x 24-pin	3	1.50	330.00	90.00	1
APM/RI-3 2x24, RAL 7035 <sup>1)</sup>	87823032	RAL 7035	2x 24-pin	3	1.50	330.00	90.00	1
APM/RI-4 2x24, RAL 7035 <sup>1)</sup>	87823010	RAL 7035	2x 24-pin	4	1.50	339.00	149.00	1
APM/RI-4 4x24, RAL 7035 <sup>1)</sup>	87823012	RAL 7035	4x 24-pin	4	1.50	339.00	149.00	1
APM/RI-5 3x24, RAL 7035 <sup>1)</sup>	87823020	RAL 7035	3x 24-pin	5	1.50	534.00	149.00	1
APM/RI-5 6x24, RAL 7035 <sup>1)</sup>	87823022	RAL 7035	6x 24-pin	5	1.50	534.00	149.00	1
KDP AP/RI-TS/3	87663202	Smoothed	3x 24-pin	TS8	2.00	338.00	168.00	1
KDP AP/RI-TS/4	87663204	Smoothed	4x 24-pin	TS8	2.00	338.00	168.00	1
KDP 24/AP/RI-KL/1	87663073	Smoothed	1x 24-pin	2	2.00	221.00	90.00	1
KDP 24/AP/RI-BG/2	87663074	Smoothed	2x 24-pin	BG 1558.510	2.00	355.00	92.00	1



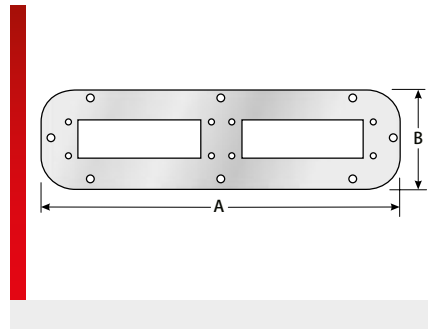
## Adapter plate Rittal (continued...)

KDP 24/AP/RI-BG/3+4	87663075	Smoothed	3x 24-pin 2x M20 2x M25	BG 1559.510	2.00	555.00	92.00	1
KDP 24/AP/RI-AE/4 <sup>2)</sup>	87663070	Smoothed	4x 24-pin	4	2.00	339.00	149.00	1
KDP 24/AP/RI-AE/6+2 <sup>2)</sup>	87663071	Smoothed	6x 24-pin 2x M32	5	2.00	534.00	149.00	1
<b>For metal KDP</b>								
KDP AP 149/105/3 St <sup>1)</sup>	87663084	RAL 7035	3x KDP 105/xx	5	2.50	534.00	149.00	1
KDP AP 149/100/2 V4A	87663080	Smoothed	2x KDP 100/xx	4	2.50	339.00	149.00	1
KDP AP 149/100/3 V4A	87663082	Smoothed	3x KDP 100/xx	5	2.50	534.00	149.00	1
<b>With cut-out M50</b>								
AP/RI-TS/3x50	87663208	Smoothed	3x M50	TS8	2.00	338.00	168.00	1
AP/RI-TS/5x50	87663206	Smoothed	5x M50	TS8	2.00	338.00	168.00	1
BP RI-TS/338x168	87663210	Smoothed		TS8	2.00	338.00	168.00	1

<sup>1)</sup> Material steel (1.1203)

<sup>2)</sup> The KDL/E 24/xx cable entry system is mounted in a staggered pattern on the cut-outs. As a result, KDL/E 24/xx units cannot be positioned on top of one another. The configuration plan illustrates the possible layouts for the KDL/E 24/xx cable entry system.

## Adapter plate Sarel



### PRODUCT INFORMATION

Adapter plate can be fitted directly into the standard cut-outs of Sarel cabinets. They serve to retain various Murrplastik cable entry systems. Unused adapter spaces can be closed off using blanking plates.

A blade terminal L6.3 is available for earthing the adapter plate. Adapter plate without sealing. The seal is part of the cabinet accessories.

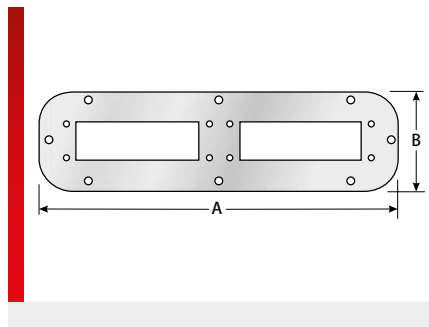
### SPECIFICATIONS

Stainless steel 1.4301 (V2A)



Type	Order No.	Colour	Holder slots	Cut-out	Plate thickness mm	A mm	B mm	MOQ Pcs.
<b>with 24-pin cut-outs</b>								
KDP 24/AP/SA/2+0	87663102	Smoothed	2x 24-pin	515X4	2.00	345.00	130.00	1
KDP 24/AP/SA/2+4	87663112	Smoothed	2x 24-pin	515X5	2.00	445.00	130.00	1
			4x M32					
KDP 24/AP/SA/3+2	87663108	Smoothed	3x 24-pin	515X6	2.00	545.00	130.00	1
			2x M32					
KDP 24/AP/SA/5+4	87663100	Smoothed	5x 24-pin	515X7	2.00	495.00	220.00	1
			2x M25					
			2x M50					
<b>For metal KDP</b>								
KDP AP/SA/130/100/2	87663130	Smoothed	2x KDP 100/xx	515X4	2.50	345.00	130.00	1
KDP AP/SA/130/100/2+4	87663128	Smoothed	2x KDP 100/xx	515X5	2.50	445.00	130.00	1
			4x M32					
KDP AP/SA/130/100/3+2	87663126	Smoothed	2x KDP 100/xx		2.50	545.00	130.00	1
			3x M32					
<b>For KDP/R</b>								
KDP/R AP/SA-1	87663106	Smoothed	6x M63	515X6	2.00	545.00	130.00	1
KDP/R AP/SA-2	87663110	Smoothed	5x M63	515X5	2.00	445.00	130.00	1
KDP/R AP/SA-3	87663114	Smoothed	3x M63	515X4	2.00	345.00	130.00	1
KDP/R AP/SA-4	87663104	Smoothed	2x M32	515X3	2.00	245.00	130.00	1
			2x M63					

## Adapter plate Lohmeier



### PRODUCT INFORMATION

The Lohmeier adapter plates can be directly mounted into the prefabricated cut-outs from Lohmeier casings. They serve to retain various Murrplastik cable entry systems. Unused adapter spaces can be closed off using blanking plates.

A blade terminal L6.3 is available for earthing the adapter plate. Adapter plate come with seal included.

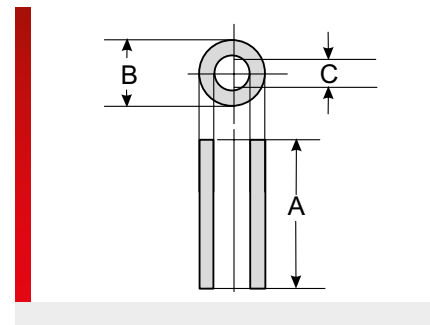
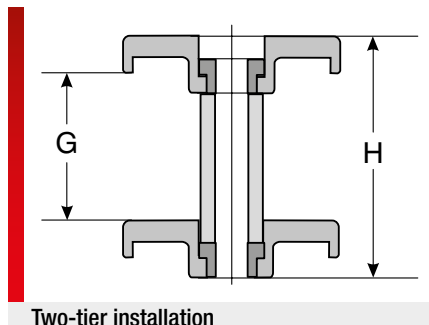
### SPECIFICATIONS

Stainless steel 1.4301 (V2A)

Type	Order No.	Colour	Holder slots	Cut-out	Plate thickness mm	A mm	B mm	MOQ Pcs.
<b>With 24-pin cut-outs</b>								
KDP 24/AP/LO-BG/1	87663078	Smoothed	1x 24-pin	F200 type BG	2.00	194.00	92.00	1
KDP 24/AP/LO-BG/2	87663077	Smoothed	2x 24-pin	F300 type BG	2.00	294.00	92.00	1



## DH spacer sleeve



### PRODUCT INFORMATION

The DH spacer sleeve is required for stacking the ZL strain relief plate. This allows for cables to be stacked, thereby saving space.

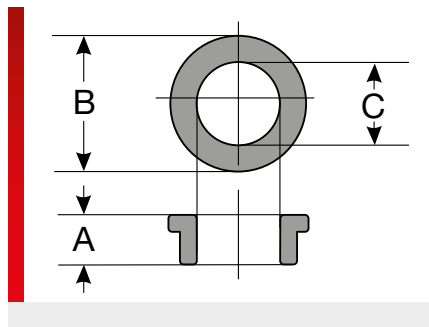
### SPECIFICATIONS



Type	Order No.	A mm	B mm	C mm	G mm	H mm	MOQ Pcs.
<b>For ZL 04 y ZL 05</b>							
DH 30/8	87701054	30.00	8.50	5.20	26.00	44.00	1
<b>For ZL39 – 180/8</b>							
DH 32/6	87701052	32.00	12.00	6.30	28.00	46.00	1
DH 32/8 <sup>1)</sup>	87701062	32.00	13.00	8.30	28.00	46.00	1

<sup>1)</sup>For ZL 180/8 only

## ELB insert bushing



### PRODUCT INFORMATION

The ELB insert bushing can be laid into the strain relief plate type ZL. It prevents cold flow of the plastic at the fixing point during heavy strain or permanent movement.

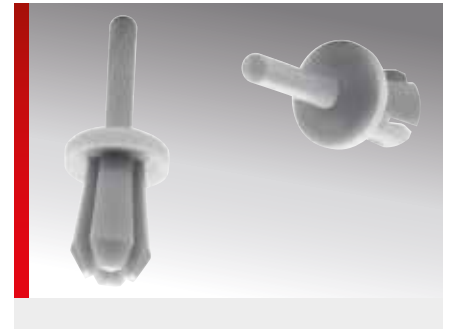
### SPECIFICATIONS



Type	Order No.	A mm	B mm	C mm	MOQ Pcs.
<b>For ZL39 – 180/6</b>					
ELB/6	87701050	6.50	12.00	6.20	1
<b>For ZL 180/8</b>					
ELB/8 <sup>1)</sup>	87701060	6.50	13.40	8.20	1

<sup>1)</sup>For ZL 180/8 only

## BN securing rivet



### PRODUCT INFORMATION

Plastic expansion rivets for the quick installation of components, e.g. cable ducts. Assembly tool BNW is optimally adjusted to the securing rivets. Only this tool brings out the full economical effect of the BN securing rivet.

### SPECIFICATIONS

 -60 – 80 °C

 Hostalene

Type	Order No.	Colour	Hole mm	Shaft length mm	Fastening thickness min. mm	Fastening thickness max. mm	MOQ Pcs.
BN 1	87621410	Grey	3.00	9.00	3.00	7.50	500
BN 2	87621412	Grey	4.50	10.00	3.00	8.00	500
BN 3	87621414	Grey	6.50	15.00	4.50	10.00	1000

## KB/KBM cable ties



Type KB



Type KBM

### PRODUCT INFORMATION





Cable ties are a reliable method for the economic bundling and fastening of cables, cable harnesses, tubes, conduits and other components.

The black cable ties are suitable for outdoor applications.

The cable tie KKB 28 is equipped with a special locking mechanism and is especially suitable for heavy-duty applications.

The KBM metal cable tie is ideally used for EMC solutions. It creates greater contact surface area for discharging sheath currents.

### SPECIFICATIONS

-  KB: Polyamide 6.6  
KBM: Stainless steel 1.4301
-  V2 for type KB black only  
V2 only type KKB
-  Black cable ties are UV stabilised
- 

Type	Order No.	Colour	Length mm	Width mm	Bundle range mm	Tensile strength N max.	MOQ Pcs.
<b>Plastic cable ties</b>							
KB 15 <sup>1)</sup>	87661251	Black	75.00	2.20	15.00	60	1000
KB 20 <sup>1)</sup>	87661252	Black	98.00	2.50	20.00	60	1000
KB 22 <sup>1)</sup>	87661254	Black	120.00	2.50	30.00	80	1000
KB 25 <sup>1)</sup>	87661256	Black	140.00	3.60	33.00	130	1000
KB 30 <sup>1)</sup>	87661260	Black	160.00	4.50	38.00	180	1000
KB 45 <sup>1)</sup>	87661262	Black	178.00	4.80	45.00	220	1000
KB 50 <sup>1)</sup>	87661264	Black	200.00	2.90	50.00	80	1000
KB 55 <sup>1)</sup>	87661266	Black	200.00	4.80	50.00	220	1000
KB 75 <sup>1)</sup>	87661268	Black	290.00	4.80	75.00	220	100
KB 100 <sup>1)</sup>	87661270	Black	360.00	4.80	100.00	220	100
KB 110 <sup>1)</sup>	87661272	Black	370.00	7.80	105.00	540	100
KB 15 <sup>1)</sup>	87661210	Natural colour	75.00	2.20	15.00	60	1000
KB 20 <sup>1)</sup>	87661214	Natural colour	98.00	2.50	20.00	60	1000
KB 22 <sup>1)</sup>	87661218	Natural colour	130.00	2.50	30.00	80	1000
KB 25 <sup>1)</sup>	87661222	Natural colour	140.00	3.60	33.00	130	1000
KB 30 <sup>1)</sup>	87661226	Natural colour	160.00	4.50	38.00	180	1000
KB 45 <sup>1)</sup>	87661230	Natural colour	178.00	4.80	45.00	220	1000
KB 50 <sup>1)</sup>	87661234	Natural colour	200.00	2.90	50.00	80	1000
KB 55 <sup>1)</sup>	87661238	Natural colour	200.00	4.80	50.00	220	1000
KB 75 <sup>1)</sup>	87661242	Natural colour	290.00	4.80	75.00	220	100
KB 100 <sup>1)</sup>	87661246	Natural colour	360.00	4.80	100.00	220	100
KB 110 <sup>1)</sup>	87661248	Natural colour	370.00	7.80	105.00	540	100
<b>Power cable tie with special lock</b>							
KKB 28 <sup>2)</sup>	87661258	Black	180.00	8.00	40.00	360	100



## KB/KBM cable ties (continued)

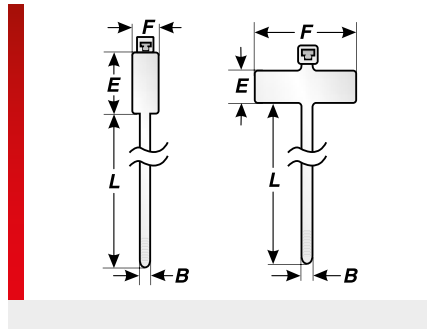
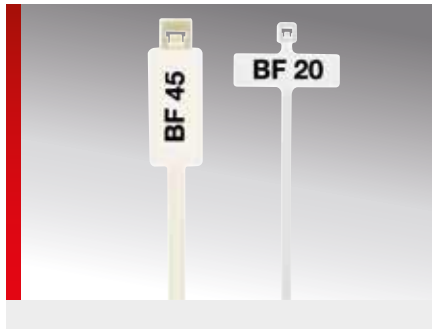
Type	Order No.	Colour	Length mm	Width mm	Bundle range mm	Tensile strength N max.	MOQ Pcs.
<b>Metal cable tie</b>							
KBM 200	87661014	Typical for the material	200.00	4.60	61.00	900	100
KBM 520	87661015	Typical for the material	520.00	4.60	163.00	900	100
KBM 840	87661017	Typical for the material	840.00	4.60	265.00	900	100
KBM 840, VE 5	87661019	Typical for the material	840.00	4.60	265.00	900	5

The dimensions may deviate for technical or production reasons.

<sup>1)</sup> Recommended assembly tool for all widths of KKBW to 6 mm width KBW 1K.

<sup>2)</sup> Recommended assembly tool KKBW

## BF cable tie



### PRODUCT INFORMATION

Cable tie with title block.  
For use with ink pens or permanent water-proof markers.

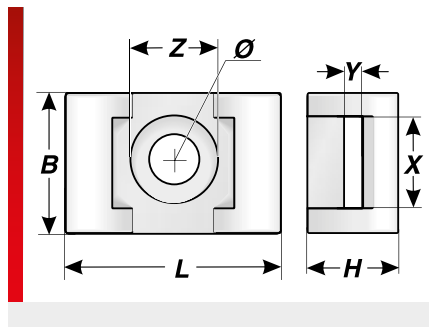
BF20 (Fig. right)  
Labelling field lengthwise on cable.  
BF45 (Fig. left)  
Labelling field across the cable.

### SPECIFICATIONS

- 25 – 85 °C
- Polyamide
- RoHS
- UV

Type	Order No.	Colour	B mm	E mm	F mm	L mm	Bundle range mm	Tensile strength N max.	MOQ Pcs.
BF 20	87681010	White	2.50	8.00	25.00	86.00	19.00	80	100
BF 45	87681012	Natural colour	4.70	28.00	13.00	157.00	45.00	222	100

## SH screwed holders



### PRODUCT INFORMATION

The SH screw-down holder is used to fix individual cables cost-effectively. It can be screwed or riveted to any surface.

### SPECIFICATIONS

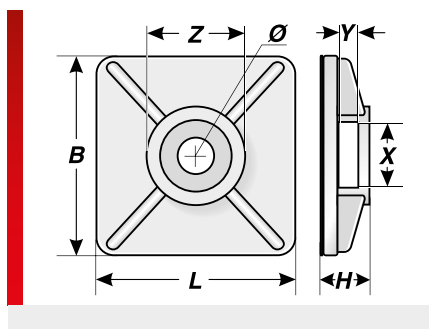
-40 – 85 °C

Polyamide

RoHS

Type	Order No.	Colour	L mm	B mm	H mm	X mm	Y mm	Z mm	Ø mm	MOQ Pcs.
SH 1	87681210	White	15.00	10.00	7.00	5.00	2.00	7.00	3.70	100
SH 2	87681212	White	22.50	15.00	11.00	9.20	2.80	10.00	5.00	100

## KH screwed and adhesive holders



### PRODUCT INFORMATION

Adhesive holder, plastic. The retention force can be increased by additional fastening with a screw. If pressure sensitive adhesives are used, the surface must be smooth and free of dust and grease. Contaminated surfaces must be cleaned with proper cleaning agents.

### SPECIFICATIONS

-40 – 85 °C

Polyamide

RoHS

Type	Order No.	Colour	L mm	B mm	H mm	X mm	Y mm	Z mm	Ø mm	MOQ Pcs.
KH 1	87681220	White	19.00	19.00	6.00	4.00	1.80	7.70	4.30	100
KH 2	87681222	White	27.00	27.00	7.50	6.00	2.30	9.70	4.70	100

## KB-fix Velcro tape







### PRODUCT INFORMATION

The KB-fix Velcro tape is made of Polypropylene and Velour Polyamide. It serves as a mounting aid in the fields of electrical and pneumatic installations, for instance in steering and control cabinets, on machines and/or residential installations, for consumer applications and much more. The Velcro (hook and loop) fastener strips are available on a 25 m roll and are cut as required.

Particular benefits of the KB-fix Velcro tape are:

- Very simple handling
- Fire classification V2 per UL94
- Does not constrict sensitive cables such as fibre optic cables or pneumatic hoses
- Can be opened and closed hundreds of times
- No injuries possible from sharp edges, as from shortened cable ties

### SPECIFICATIONS

	-30 – 80 °C
	Polypropylene (PP) Polyamide 6
	V2
	

Type	Order No.	Colour	Width mm	MOQ Pcs.
KB-fix 10-V2	87661802	Black	10.00	25
KB-fix 16-V2	87661804	Black	16.00	25
KB-fix 20-V2	87661806	Black	20.00	25
KB-fix 25-V2	87661808	Black	25.00	25
KB-fix 30-V2	87661810	Black	30.00	25



## VST sealing plug



### PRODUCT INFORMATION

VST sealing plugs are used to seal cable grommets (KDT/ZE, KDT/X, etc.) and multi-line inserts for cable fittings not equipped with cables. They provide a secure seal for not or no longer needed openings.

### SPECIFICATIONS

-  -40 – 100 °C
-  Polyamide

Type	Order No.	Colour	Ø mm	MOQ Pcs.
VST 2mm	87822010	Red	2.00	50
VST 3mm	87822012	Red	3.00	50
VST 4mm	87822014	Red	4.00	50
VST 5mm	87822016	Red	5.00	50
VST 6mm	87822018	Red	6.00	50
VST 7mm	87822020	Red	7.00	50
VST 8mm	87822022	Red	8.00	50





## Tools



## KS cable shears



### PRODUCT INFORMATION

Sturdy cable shears KS1. Suitable for removing cable sheathing and braided shields. EW-PAP cable protection conduit with metal braiding can be processed with these shears.

Type	Order No.	Approx. length mm	MOQ Pcs.
KS 1	87661016	175.00	1
With adjustable internal blade			

## KM cable stripping knife



### PRODUCT INFORMATION

Special cable stripping knife KM for stripping of wiring.

Type	Order No.	Approx. length mm	MOQ Pcs.
KM	87661018	170.00	1











## Punching tools

## SW-HG hydraulic manual punch

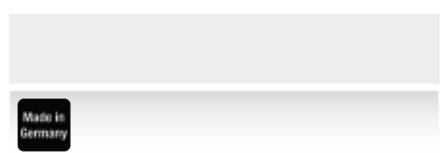


### PRODUCT INFORMATION

Practical manual punch without additional conduit and cylinder, ideal for workshop and assembly.

- Hydraulic punch made of high-strength aluminium
- Overload protection via overpressure valve
- Ergonomic handle, springs back automatically

### SPECIFICATIONS



Type	Order No.	Weight kg / piece	Punching force kN	Operating pressure bar	MOQ Pcs.
<b>Compact hydraulic manual punch, straight</b>					
SW-HG hydraulic manual punch	87801010	2.94	75.00	650.00	1

consisting of:

- 1 pce. compact hydraulic manual punch
- 1 each tension bolt version A
- 1 pce. tension bolt version A
- 1 pce. spacer bushing set (3-parts)
- 1 pce. tap drill 11.0 mm
- 1 pce. transport case

Punching performance, round hole perforator:

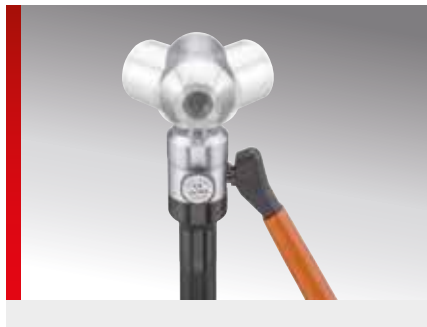
- 2.0 mm sheet steel (St37) max. Ø 84 mm
- 3.0 mm sheet steel (St37) max. Ø 64 mm
- 2.0 mm stainless steel (V2A) max. Ø 84 mm

Punching performance, square hole perforator:

- 2.0 mm sheet steel (St37) max. 36 x 112 mm

For spare parts see chapter "Spare parts list for punching tools"

## SW-HW hydraulic manual punch

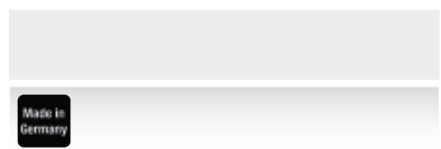


### PRODUCT INFORMATION

Practical manual punch without additional conduit and cylinder, ideal for workshop and assembly.

- Hydraulic punch made of high-strength aluminium
- Overload protection via overpressure valve
- Ergonomic handle, springs back automatically
- The angle head can be pivoted 360° for better handling.

### SPECIFICATIONS



Type	Order No.	Weight kg / piece	Punching force kN	Operating pressure bar	MOQ Pcs.
<b>Compact hydraulic manual punch with pivoting head</b>					
SW-HW hydraulic manual angled punch	87801012	3.3	75.00	650.00	1

consisting of:

- 1 pce. compact hydraulic manual punch
- 1 each tension bolt version A
- 1 pce. tension bolt version A
- 1 pce. spacer bushing set (3-parts)
- 1 pce. tap drill 11.0 mm
- 1 pce. transport case

Punching performance, round hole perforator:

- 2.0 mm sheet steel (St37) max. Ø 84 mm
- 3.0 mm sheet steel (St37) max. Ø 64 mm
- 2.0 mm stainless steel (V2A) max. Ø 84 mm

Punching performance, square hole perforator:

- 2.0 mm sheet steel (St37) max. 36 x 112 mm

For spare parts see chapter "Spare parts list for punching tools"

## SW-HF hydraulic punch with foot pump



### PRODUCT INFORMATION

Practical hydraulic punch with foot pump; ideal for use in the workshop. The foot pump does not require use of the hands, leaving both hands free for exact positioning and punching at the control cabinet. The support frame of the foot pump is splayed. Facilitates a stable, tip-resistant workflow.

- Overload protection via installed pump safety valve
- Better punching performance than with a manual punch
- For larger punching tools

### SPECIFICATIONS



Type	Order No.	Weight kg / piece	Punching force kN	Operating pressure bar	MOQ Pcs.
<b>Hydraulic punch with foot pump</b>					
SW-HF Hydraulic punch with foot pump	87801014	13.92	100.00	700.00	1

consisting of:

- 1 pce. hydraulic cylinder with quick coupling
- 1 pce. hydraulic conduit 2.8 m
- 1 each tension bolt version A
- 1 pce. tension bolt version A
- 1 pce. spacer bushing set (5-parts)
- 1 pce. tap drill 11.0 mm
- 1 pce. sheet steel transport case

Punching performance, round hole perforator:

- 2.0 mm sheet steel (St37) max. Ø 150 mm
- 3.0 mm sheet steel (St37) max. Ø 100 mm
- 2.0 mm stainless steel (V2A) max. Ø 100 mm

Punching performance for square hole punch:

- 2.0 mm sheet steel (St37) max. 138 x 138 mm
- 2.0 mm stainless steel sheet (V2A) max. 92 x 92 mm

For spare parts see chapter "Spare parts list for punching tools"

## SW-WR punching tools (rectangular)



### PRODUCT INFORMATION

Several punching tools for the creation of rectangular or square cut-outs. These hole punches are delivered in a plastic transport case. Ideal for assembly work. Corresponding tension bolt is included in the delivery. The

attachment points for the screw holes can be punch-marked during the punching process.

### SPECIFICATIONS



Type	Order No.	Punching mm	Tensioning screw Type	Cut-out for	Steel type	Suited for Hydraulic punch SW-HG (HW) / SW-HF	MOQ Pcs.
<b>Hole perforator (rectangular) for sheet steel with centring tips</b>							
SW-WR 17.0x19.0 <sup>1)</sup>	87801330	17.0 x 19.0	G		Sheet steel	• / •	1
SW-WR 21.8x25.8 <sup>1)</sup>	87801332	21.8 x 25.8	K		Sheet steel	• / •	1
SW-WR 22.0x30.0 <sup>1)</sup>	87801334	22.0 x 30.0	K		Sheet steel	• / •	1
SW-WR 22.0x42.0 <sup>1)</sup>	87801336	22.0 x 42.0	K		Sheet steel	• / •	1
SW-WR 23.0x57.0 <sup>1)</sup>	87801339	23.0 x 57.0	K		Sheet steel	• / •	1
SW-WR 25.0x50.0 <sup>1)</sup>	87801340	25.0 x 50.0	K		Sheet steel	• / •	1
SW-WR 36.0x52.0 <sup>1)</sup>	87801350	36.0 x 52.0	D	Industrial plug connectors 6-pole	Sheet steel	• / •	1
SW-WR 36.0x46.0 <sup>1)</sup>	87801358	36.0 x 46.0	D	KDL/C & KDL/D 6	Sheet steel	• / •	1
SW-WR 36.0x65.0 <sup>1)</sup>	87801352	36.0 x 65.0	D	KDL/C & KDL/D 10	Sheet steel	• / •	1
SW-WR 45.0x92.0 <sup>1)</sup>	87801342	45.0 x 92.0	D		Sheet steel	• / •	1
SW-WR 46.0x112.0 <sup>1)</sup>	87801356	46.0 x 112.0	E		Sheet steel	- / •	1
SW-WR 46.0x86.0 <sup>1)</sup>	87801354	46.0 x 86.0	D		Sheet steel	• / •	1
SW-WR 46.0x92.0 <sup>1)</sup>	87801344	46.0 x 92.0	D		Sheet steel	• / •	1
SW-WR 68.0x138.0 <sup>2)</sup>	87801346	68.0 x 138.0	E		Sheet steel	- / •	1
SW-WR 82.0x132.0 <sup>2)</sup>	87801382	82.0 x 132.0	E	cablequick Type 100	Sheet steel	- / •	1
SW-WR 86.0x36.0 <sup>1)</sup>	87801292	86.0 x 36.0	D	KDL/xx 16 (screw fastened)	Sheet steel	• / •	1
SW-WR 91.0x36.0 <sup>1)</sup>	87801294	91.0 x 36.0	D	KDL/E 16 (snap fastened)	Sheet steel	• / •	1
SW-WR 112.0x36.0 <sup>1)</sup>	87801290	112.0 x 36.0	D	KDP/xx 24, KDL/xx 24	Sheet steel	• / •	1
SW-WR-VA 112.0x36.0 <sup>3)</sup>	87801291	112.0 x 36.0	D	KDP/xx 24, KDL/xx 24	Stainless sheet steel	• / •	1

<sup>1)</sup> Suitable for sheet steel <= 2 mm

<sup>2)</sup> Suitable for sheet steel <= 3 mm

<sup>3)</sup> Suitable for steel and stainless steel sheets <= 2 mm



## SW-WQ punching tool



### PRODUCT INFORMATION

Several punching tools for the creation of rectangular or square cut-outs. These hole punches are delivered in a plastic transport case. Ideal for assembly work. Corresponding tension bolt is included in the delivery. The

attachment points for the screw holes can be punch-marked during the punching process.

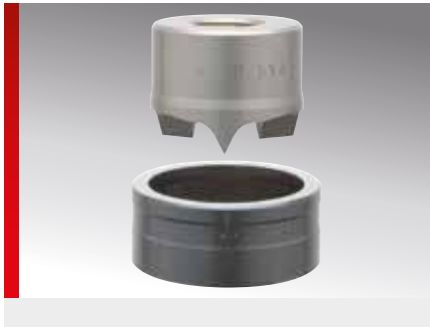
### SPECIFICATIONS



Type	Order No.	Punching mm	Tensioning screw Type	Steel type	Suited for Hydraulic punch SW-HG (HW) / SW-HF	MOQ Pcs.
<b>Hole perforator (rectangular) for sheet steel with centring tips</b>						
SW-WQ 12.7x12.7 <sup>1)</sup>	87801300	12.7 x 12.7	H	Sheet steel	• / •	1
SW-WQ 15.8x15.8 <sup>1)</sup>	87801302	15.8 x 15.8	H	Sheet steel	• / •	1
SW-WQ 19.0x19.0 <sup>1)</sup>	87801304	19.0 x 19.0	G	Sheet steel	• / •	1
SW-WQ 22.2x22.2 <sup>1)</sup>	87801306	22.2 x 22.2	G	Sheet steel	• / •	1
SW-WQ 24.0x24.0 <sup>1)</sup>	87801308	24.0 x 24.0	G	Sheet steel	• / •	1
SW-WQ 25.4x25.4 <sup>1)</sup>	87801310	25.4 x 25.4	K	Sheet steel	• / •	1
SW-WQ 45.5x45.5 <sup>1)</sup>	87801312	45.5 x 45.5	F	Sheet steel	• / •	1
SW-WQ 46.0x46.0 <sup>1)</sup>	87801314	46.0 x 46.0	F	Sheet steel	• / •	1
SW-WQ 50.8x50.8 <sup>1)</sup>	87801316	50.8 x 50.8	D	Sheet steel	• / •	1
SW-WQ 68.0x68.0 <sup>1)</sup>	87801318	68.0 x 68.0	D	Sheet steel	• / •	1
SW-WQ 92.0x92.0 <sup>1)</sup>	87801320	92.0 x 92.0	E	Sheet steel	- / •	1
SW-WQ 125.0x125.0 <sup>1)</sup>	87801322	125.0 x 125.0	E	Sheet steel	- / •	1
SW-WQ 138.0x138.0 <sup>1)</sup>	87801324	138.0 x 138.0	E	Sheet steel	- / •	1

<sup>1)</sup> Suitable for sheet steel <= 2 mm

## SW-WE punching tool



### PRODUCT INFORMATION

Round hole punch, individual tools for steel or stainless steel plates. Versions for punching holes in metric or Pg threaded connections.

- Metric sizes from M16 to M63
- Pg sizes from Pg9 to Pg48

### SPECIFICATIONS



Type	Order No.	Dimension	Punching mm	Tensioning screw Type	Cut-out for	Steel type	Suited for Hydraulic punch SW-HG (HW) / SW-HF	MOQ Pcs.
<b>Hole perforator (round) for steel sheets</b>								
SW-WE-NS M16 <sup>1)</sup>	87801210	M16	16.20	A		Sheet steel	• / •	1
SW-WE-NS M20 <sup>1)</sup>	87801212	M20	20.40	A		Sheet steel	• / •	1
SW-WE-NS M25 <sup>1)</sup>	87801214	M25	25.40	A		Sheet steel	• / •	1
SW-WE-NS M32 <sup>2)</sup>	87801216	M32	32.50	C		Sheet steel	• / •	1
SW-WE-NS M40 <sup>2)</sup>	87801218	M40	40.50	C	KDPR/F M40/xx	Sheet steel	• / •	1
SW-WE-NS M50 <sup>2)</sup>	87801220	M50	50.50	C	KDP/R M50/x, KDL/D-R M50/xx	Sheet steel	• / •	1
SW-WE-NS M63 <sup>2)</sup>	87801222	M63	63.50	C	KDP/R M63/x	Sheet steel	• / •	1
SW-WE-NS Pg09 <sup>1)</sup>	87801238	Pg09	15.20	A		Sheet steel	• / •	1
SW-WE-NS Pg11 <sup>1)</sup>	87801240	Pg11	18.60	A		Sheet steel	• / •	1
SW-WE-NS Pg13 <sup>1)</sup>	87801242	Pg13	20.40	A		Sheet steel	• / •	1
SW-WE-NS Pg16 <sup>1)</sup>	87801244	Pg16	22.50	A		Sheet steel	• / •	1
SW-WE-NS Pg21 <sup>1)</sup>	87801246	Pg21	28.30	A		Sheet steel	• / •	1
SW-WE-NS Pg29 <sup>2)</sup>	87801248	Pg29	37.00	C		Sheet steel	• / •	1
SW-WE-NS Pg36 <sup>2)</sup>	87801250	Pg36	47.00	C		Sheet steel	• / •	1
SW-WE-NS Pg42 <sup>2)</sup>	87801252	Pg42	54.00	C		Sheet steel	• / •	1
SW-WE-NS Pg48 <sup>2)</sup>	87801254	Pg48	60.00	C		Sheet steel	• / •	1
<b>Hole perforator (round) for steel and stainless steel sheets</b>								
SW-WE-VA M16 <sup>3)</sup>	87801224	M16	16.20	B		Steel & stainless steel	• / •	1
SW-WE-VA M20 <sup>3)</sup>	87801226	M20	20.40	B		Steel & stainless steel	• / •	1
SW-WE-VA M25 <sup>3)</sup>	87801228	M25	25.40	B		Steel & stainless steel	• / •	1
SW-WE-VA M32 <sup>4)</sup>	87801230	M32	32.50	C		Steel & stainless steel	• / •	1
SW-WE-VA M40 <sup>4)</sup>	87801232	M40	40.50	C	KDPR/F M40/xx	Steel & stainless steel	• / •	1
SW-WE-VA M50 <sup>4)</sup>	87801234	M50	50.50	C	KDP/R M50/x, KDL/D-R M50/xx	Steel & stainless steel	• / •	1
SW-WE-VA M63 <sup>4)</sup>	87801236	M63	63.50	C	KDP/R M63/x	Steel & stainless steel	• / •	1
SW-WE-VA Pg09 <sup>3)</sup>	87801256	Pg09	15.20	B		Steel & stainless steel	• / •	1
SW-WE-VA Pg11 <sup>3)</sup>	87801258	Pg11	18.60	B		Steel & stainless steel	• / •	1

## SW-WE punching tool (continued)

Type	Order No.	Di- men- sion	Punch- ing mm	Tension- ing screw Type	Cut-out for	Steel type	Suited for Hydraulic punch SW-HG (HW) / SW-HF	MOQ Pcs.
SW-WE-VA Pg13 <sup>3)</sup>	87801260	Pg13	20.40	B		Steel & stainless steel	• / •	1
SW-WE-VA Pg16 <sup>3)</sup>	87801262	Pg16	22.50	B		Steel & stainless steel	• / •	1
SW-WE-VA Pg21 <sup>4)</sup>	87801264	Pg21	28.30	C		Steel & stainless steel	• / •	1
SW-WE-VA Pg29 <sup>4)</sup>	87801266	Pg29	37.00	C		Steel & stainless steel	• / •	1
SW-WE-VA Pg36 <sup>4)</sup>	87801268	Pg36	47.00	C		Steel & stainless steel	• / •	1
SW-WE-VA Pg42 <sup>4)</sup>	87801270	Pg42	54.00	C		Steel & stainless steel	• / •	1
SW-WE-VA Pg48 <sup>4)</sup>	87801272	Pg48	60.00	C		Steel & stainless steel	• / •	1
SW-WE-VA 30.5 <sup>4)</sup>	87801231		30.50	C		Steel & stainless steel	• / •	1

<sup>1)</sup> Suitable for sheet steel <= 2 mm

<sup>2)</sup> Suitable for sheet steel <= 3 mm

<sup>3)</sup> Suitable for steel and stainless steel sheets <= 2 mm

<sup>4)</sup> Suitable for steel and stainless steel sheets <= 2.5 mm

## SW-WS punching tool sets



### PRODUCT INFORMATION

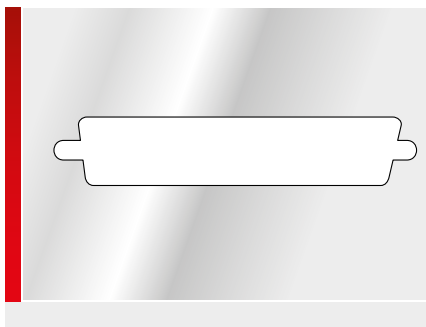
Round hole punch sets from M16 to M40 or to M63 and from PG9 to PG48. For steel or stainless steel plates. Punching tools are delivered in a handy plastic transport case. Ideal for assembly work.

### SPECIFICATIONS



Type	Order No.	Tensioning screw Type	Steel type	MOQ Pcs.
<b>Perforator tool set for sheet steel</b>				
SW-WS-NS PG9-PG48	87801278	A & C	Sheet steel	1
Consisting of: each 1 ea PG9, PG11, PG13, PG16, PG21, PG29, PG36, PG42, PG48, transport case				
SW-WS-NS M16-M40	87801280	A & C	Sheet steel	1
Consisting of: each 1 ea M16, M20 (PG13), M25, M32, M40, transport case				
SW-WS-NS M16-M63	87801282	A & C	Sheet steel	1
Consisting of: each 1 ea M16, M20 (PG13), M25, M32, M40, transport case				
<b>Perforator tool set for stainless sheet steel</b>				
SW-WS-VA M16-M40	87801284	B & C	Steel & stainless steel	1
Consisting of: each 1 ea M16, M20 (PG13), M25, M32, M40, transport case				
SW-WS-VA M16-M63	87801286	B & C	Steel & stainless steel	1
Consisting of: each 1 ea M16, M20 (PG13), M25, M32, M40, M50, M63, transport case				

## SW-WD punching tool (SUB-MIN-D)



### PRODUCT INFORMATION

Punching tool for creation of SUB-MIN-D plug cut-outs (9 to 50 poles). Simple and quick creation of these cut-outs, e.g. for connection of data transmission cables. Corresponding tension bolt is included in the delivery.

### SPECIFICATIONS

Steel

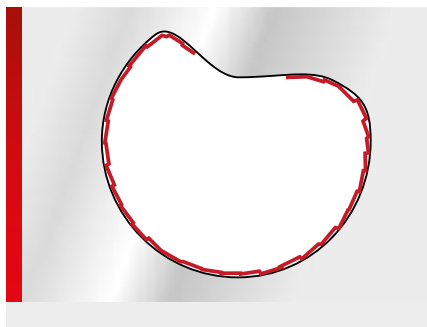
Made in Germany

Type	Order No.	Tensioning screw Type	Punching for	Steel type	MOQ Pcs.
<b>Hole perforator for SUB-MIN-D plug</b>					
SW-WD 9-pole <sup>1)</sup>	87801360	L	SUB-MIN-D 9-pole	Sheet steel	1
SW-WD 15-pole <sup>1)</sup>	87801362	L	SUB-MIN-D 15-pole	Sheet steel	1
SW-WD 25-pole <sup>2)</sup>	87801364	L	SUB-MIN-D 25-pole	Sheet steel	1
SW-WD 37-pole <sup>2)</sup>	87801366	L	SUB-MIN-D 37-pole	Sheet steel	1
SW-WD 50-pole <sup>2)</sup>	87801368	L	SUB-MIN-D 50-pole	Sheet steel	1

<sup>1)</sup> Suitable for sheet steel <= 2 mm

<sup>2)</sup> Suitable for sheet steel <= 1.65 mm



## SW-ASN universal punching tool



### PRODUCT INFORMATION

Universal punching tool for creation of various cut-out sizes and shapes. Tools with hole punch width 15 mm and 20 mm.

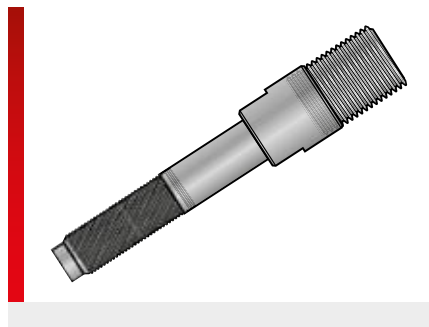
### SPECIFICATIONS

-  Steel
-  Made in Germany

Type	Order No.	Hole punch width mm	Hole punch length mm	Hole diameter mm	Steel type	MOQ Pcs.
<b>Special ASN nibbling tool</b>						
SW-ASN 15 <sup>1)</sup>	87801370	15.00	6.50	21.50	Sheet steel	1
SW-ASN 20 <sup>1)</sup>	87801372	20.00	9.00	28.50	Sheet steel	1

<sup>1)</sup>Suitable for sheet steel <= 2 mm

## Spare parts list for punching tools



### PRODUCT INFORMATION

Spare parts for the entire punching tool system.

### SPECIFICATIONS

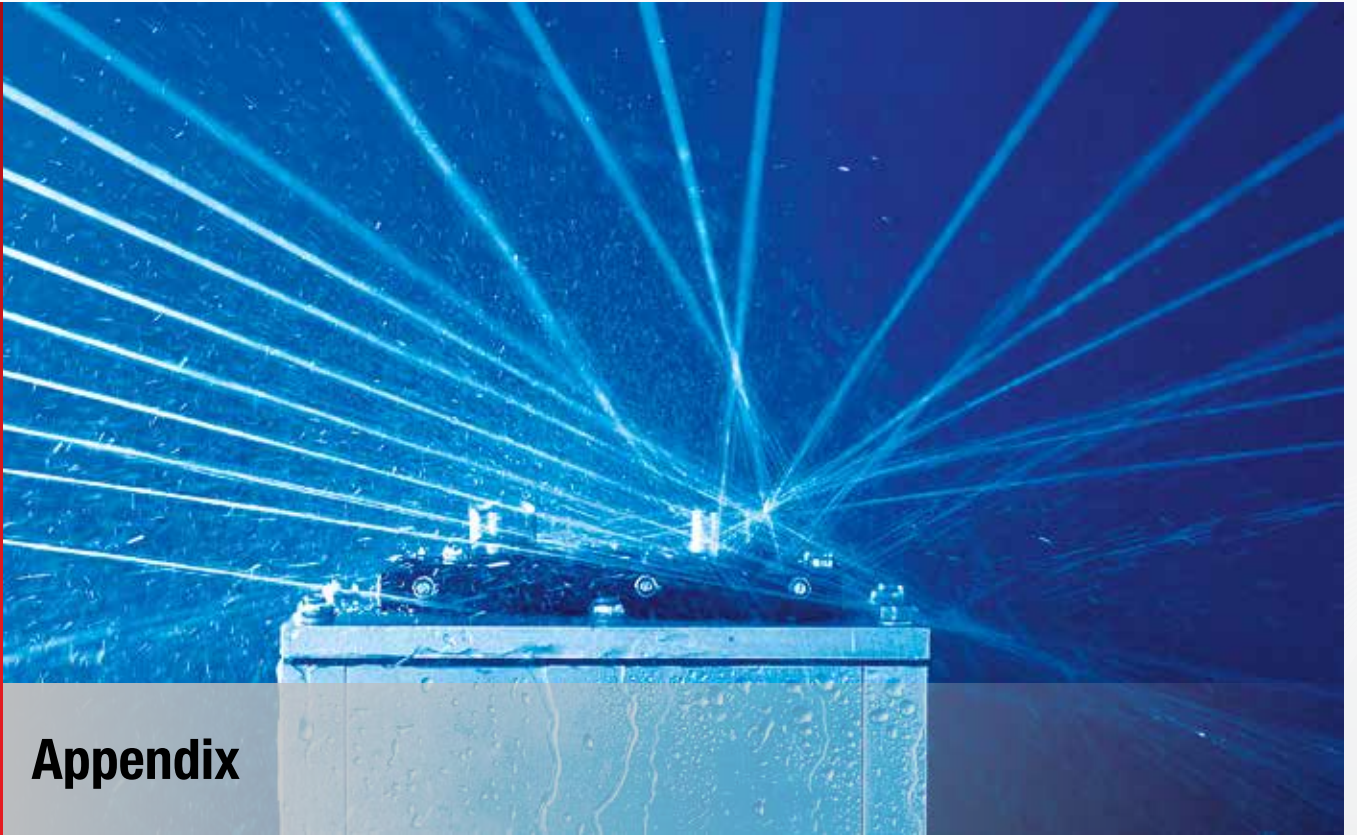


Steel



Made in Germany

Type	Order No.	Tensioning screw Version	Length mm	Pilot hole mm	MOQ Pcs.
<b>Tensioning screw</b>					
SW-WE-ZS Type A	87801410	A	100.00	10.00	1
SW-WE-ZS Type B	87801412	B	100.00	11.50	1
SW-WE-ZS Type C	87801414	C	120.00	20.00	1
SW-WE-ZS Type D	87801416	D	165.00	24.00	1
SW-WE-ZS Type E	87801434	E	173.00	30.00	1
SW-WE-ZS Type F	87801436	F	141.00	20.00	1
SW-WE-ZS Type G	87801438	G	106.00	14.00	1
SW-WE-ZS Type H	87801440	H	87.00	10.00	1
SW-WE-ZS Type K	87801442	K	106.00	17.00	1
SW-WE-ZS Type L	87801444	L	87.00	10.00	1
<b>Spacer bushing set</b>					
SW-WS-DS 3-piece	87801430				1
SW-WS-DS 5-piece	87801432				1
<b>Pre-drill</b>					
SW-WE-VB 10.0 mm	87801420				1
SW-WE-VB 11.0 mm	87801422				1
SW-WE-VB 11.5 mm	87801424				1
<b>Replacement stamp for special nibbling tool</b>					
SW-ASN 15 stamp	87801374				1
SW-ASN 20 stamp	87801376				1












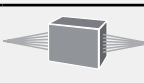





**Appendix**



## Protection classes according to DIN EN 60529

An important element for housings is protection of integrated elements against drilling, foreign particles and water. The various protection properties are divided into IP classes (IP = international protection). The framework conditions that a protection class must guarantee are laid out in DIN 40050 and IEC-EN 60529.

IP protection classes are indicated through a two digit code (IPXX). The first digit indicates protection against contact and foreign particles, the second the water protection factor. Accordingly the class IP65 is completely protected against contacts, dustproof (1st digit = 6) and is protected against jets of water from a nozzle in all directions (2nd digit = 5).

First index number	Contact protection	Foreign particle protection	Second index number	Brief description	Water protection
0	No protection		0	No protection	
1	Protected against solid foreign objects of 50 mm and larger	The object probe, a sphere of 50 mm in diameter, must not fully penetrate. 	1	Protected against vertical falling drops of water	Drops which fall vertically must not have any harmful effect. 
2	Protected against solid foreign substances of 12.5 mm dia. and above.	The object probe, a sphere of 12.5 mm in diameter, must not fully penetrate. 	2	Protected against diagonally falling (up to 15°) drops of water	Drops which fall vertically must not have any harmful effects if the housing is inclined at an angle of up to 15° at either side of the perpendicular. 
3	Protected against solid foreign substances of 2.5 mm diameter and above.	The object probe of diameter 2.5 mm must not penetrate at all. 	3	Protected against diagonally falling spray (up to 60°)	Water which is sprayed at an angle of up to 60° from either side of the perpendicular must not have any harmful effects. 
4	Protected against solid foreign substances of 1.0 mm diameter and above.	The object probe of diameter 1.0 mm must not penetrate at all. 	4	Protected against spray from all directions	Water splashing against the enclosure from one direction shall have no harmful effect. 
5	Dust-protected	The ingress of dust is not fully prevented; however, it must not penetrate to such an extent that satisfactory operation or safety are impaired. 	5	Protected against jets of water (nozzle)	Water which is sprayed in a jet against the housing from any direction must not have any harmful effects. 
6	Dust-tight	No ingress of dust. 	6	Protected against strong water jets (flooding)	Water projected in powerful jets from any direction against the housing shall have no harmful effects. 
			7	Protected against the effect of temporary immersion in water	Water must not penetrate to an extent that will cause harmful effects, if the housing is temporarily submerged in water, under pressure and under time conditions. 
			8	Protected against the effect of temporary submersion in water	Water must not penetrate to such an extent that it will cause harmful effects if the housing is permanently submerged in water. 
			9k	Protection against highly pressurised water/steam jet cleaning	IP x9K according to DIN 40050 Water jet at 0°, 30°, 60° and 90° Cycle: 30 seconds each Distance: 10 - 15 cm Water volume: 14 – 16 litres per minute Water temperature: 80 °C +/- 5 °C Water pressure: 80-100 bar 

## Description of fire classifications according to UL 94

### FIRE CLASSIFICATION HB

The material burns slowly in the horizontal combustion test. The rate of combustion must not exceed 3 inches/min. for wall thicknesses of up to 3 mm, and 1.5 inches/min. for wall thicknesses over 3 mm. Any materials exceeding these combustion rate limits are not registered by UL.

### FIRE CLASSIFICATION V2

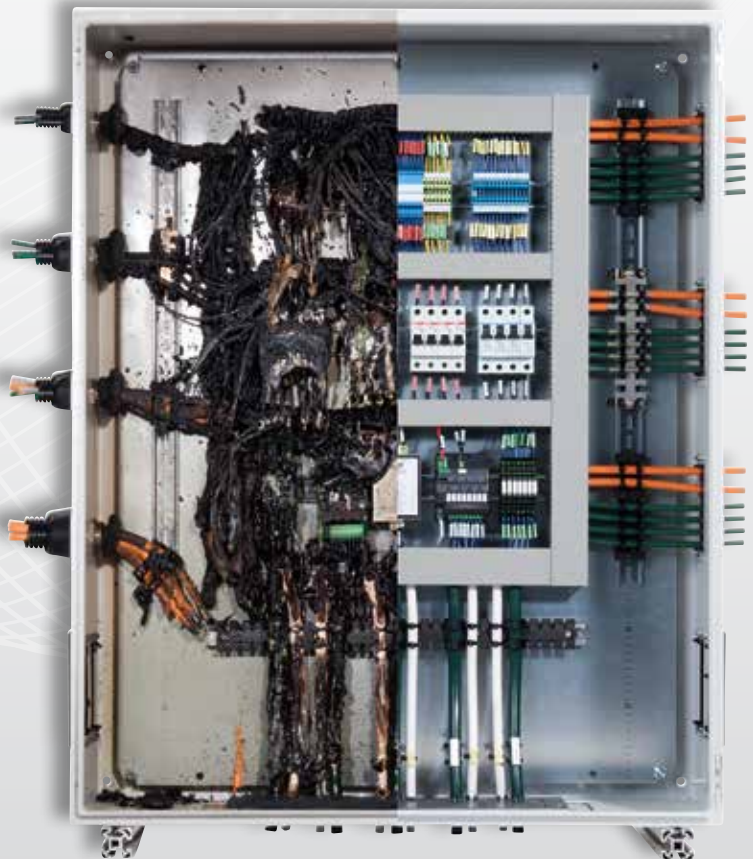
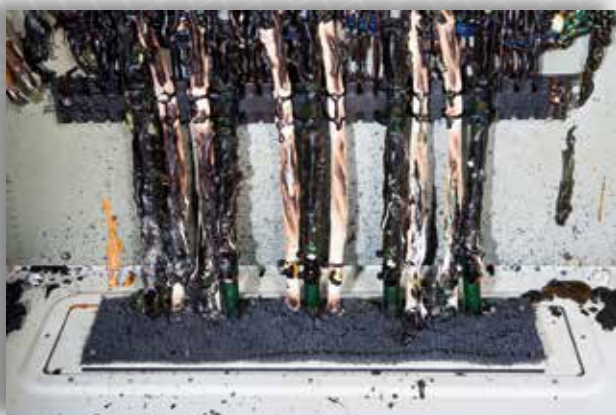
In the vertical combustion test, self-extinguishing must occur after an average of 25 seconds (individual values not to exceed 30 seconds). Any dripping material may ignite cotton wool located underneath. However, any afterglow must not exceed 60 seconds.

### FIRE CLASSIFICATION V1

In the vertical combustion test, self-extinguishing must occur also after an average of 25 seconds (individual values are not to exceed 30 seconds). However, any possible dripping material must not ignite the cotton wool. Any afterglow must not exceed 30 seconds.

### FIRE CLASSIFICATION V0

In the vertical combustion test, self-extinguishing must occur after an average of less than 5 seconds (individual values not to exceed 10 seconds). Any material dropping off must not ignite cotton wool placed underneath and any afterglow must not exceed 30 seconds.





## General information



Approved for EU railways



CSA approval



EX approval



UR approval



CURUS approval



General technical data  
Additional information



CE (EU Directive 765/2008)



RoHS (EC Directive 2002/95/EC)



WEEE (EC Directive 2002/96/EC)

### MATERIALS

The use and combination of widely varied materials like plastics of all types, elastomer or metals means that Murrplastik products can be used in a variety of situations.



### CHEMICAL PROPERTIES

Reactions with chemical substances differ according to the individual plastics and elastomers.



### FIRE PROPERTIES

Self-extinguishing materials and material alloys allow for the use of plastics in critical areas.

The products or the raw material are usually certified and classified according to UL 94.



### TEMPERATURES SPECIFICATIONS

The temperature ranges quoted for the individual products must be noted in application.



### APPROVALS

Our products boast a large number of approvals and certifications, e.g. GL, UL/UR, CSA, DIN EN. Note the specifications in the catalogue and product data sheets.



### IP PROTECTION CLASS

The IP protection class indicates the tightness of products against solids and water.

The values are also related to static applications. With dynamic applications, the protection class may change.



# Index of types Cable entry systems



## TYPE PAGE

AB-Clip	930
AP/RI-TS	969
APM/RI	969
ATG/E	833
ATG/X	824
ATG/XL	824
ATG-EMV	921
BF	978
BN	976
BNW	984
BP	967
BP/H	967
BP/N	967
BP/RI-TS	970
BS-KDP-Z	962
BST KDT/ZE-ASI	833
BTG/E	833
BTG/X	824
BTG/X-EN	900
BTG/X-FDA	827
BTG/XL	824
BTG/XL-FDA	827
BT-Jumbo	843
BTK/E	833
BTK/X	824
BTK/X-EN	900
BTK/X-FDA	827
Catch hook	963
DCS-EMV	911
DCSZ-EMV	911
DF-EMV	915
DFZ-EMV	915
DH	974
ELB	975
EMC solutions assortment kit	917
FBE	933
KAF	952
KAF/DC	926
KAF/EK	924
KAF/K	923
KAF/NI	953
KAF/SF	925
KB	977
KB-fix	980
KBL	954
KBM	978
KBW	986
KBW/M	987

## TYPE PAGE

KDL	918
KDL/C	816
KDL/D	818
KDL/D-EN	897
KDL/D-mono	820
KDL/D-R	818
KDL/E	830
KDL/H	821
KDL/H-EN	899
KDL/H-VA	821
KDL/H-VA FDA	825
KDL/N-AB	929
KDL/S	836, 837
KDL/S-G	837
KDL/S-K	837
KDL-AB	928
KDL-EMV	918
KDL-Jumbo	842
KDM	892
KDM/F	893
KDM/G	894
KDP 100	877, 889
KDP 105	879
KDP 120	881
KDP 134	883
KDP 149	884, 886, 890
KDP 160	888
KDP 24	853
KDP 24 EMV Module	922
KDP 24/AP/EN	973
KDP 24/AP/LO	972
KDP 24/AP/RI	969
KDP 24/AP/SA	971
KDP 90	870-876
KDP AP 149	969
KDP AP/RI	969
KDP AP/SA	971
KDP BP	968
KDP/E	851
KDP/EN	902, 906
KDP/EN-RA	904
KDP/F	854
KDP/H	966
KDP/N	856
KDP/R	862
KDP/R AP/SA	971
KDP/R-KGM	864
KDP/S-Z	848, 860

## TYPE PAGE

KDP/X	858
KDP/Z	846, 850
KDP/ZR	866
KDPR/F	865
KDT/S	838
KDT/S-G	839
KDT/S-K	839
KDT/VE	833
KDT/X	823
KDT/X-EN	900
KDT/X-FDA	826
KDT/X-LAN	824
KDT/X-USB	824
KDT/ZE	832
KDT/ZE-ASI	833
KDT/Z-EMV	920
KDT/Z-Jumbo	843
KDZL	950
KH	979
KKB	977
KKBW	986
KM	985
KS	985
KS-fix	951
MCS-EMV	912
MCSZ-EMV	912
MFZ-EMV	913
MMH	988
MMH-Z	988
MSC-EMV	908
MSCF-EMV	909
m-seal EMC	960
m-seal KV	956
m-seal MV	958
RAS	896
RFZ-EMV	916
SAS	931
SBB	964
SC-EMV	908
SCF-EMV	909
SCFZ-EMV	910
SDT/ZE	833
SF-EMV	914
SFZ-EMV	914
SH	979
SK	934
SKS-EMV	935

Continued on the next page

