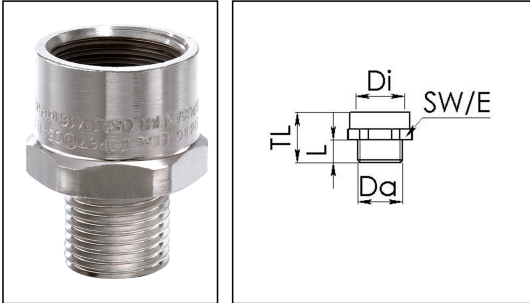


OSAJ 50 / M32(M)*M50(F)

Ex d enlargement adaptor, brass nickel-plated, M32-M50



Products may differ in size, colour and appearance to those shown. If you require further information or customisation, please contact us directly.



| | |
|---------------------------------|-------------------------|
| Material | Brass nickel-plated |
| Temp. range min | -60 °C |
| Temp. range max | 110 °C |
| Protection class | IP66 / IP67 |
| Type of protection | Ex eb, Ex db, Ex tb |
| Ex-Certificate | IECEx, ATEX |
| Thread type outer | M |
| Ø outer thread | 32 |
| Lead outer | 1,5 |
| Length screw-in thread L | 15 mm |
| Thread type inner | M |
| Ø inner thread | 50 |
| Lead inner | 1,5 |
| Length internal thread | 18 mm |
| Key width SW | 57 mm |
| Collar diameter (E) | 61 mm |
| Total length TL | 40 mm |
| Surface | Nickel-plated |
| Order no. nickel-plated | 50065696 |
| Type | OSAJ 50 / M32(M)*M50(F) |
| Packing unit | 1 |
| ETIM-Classification | EC000938 |

14.01.2021

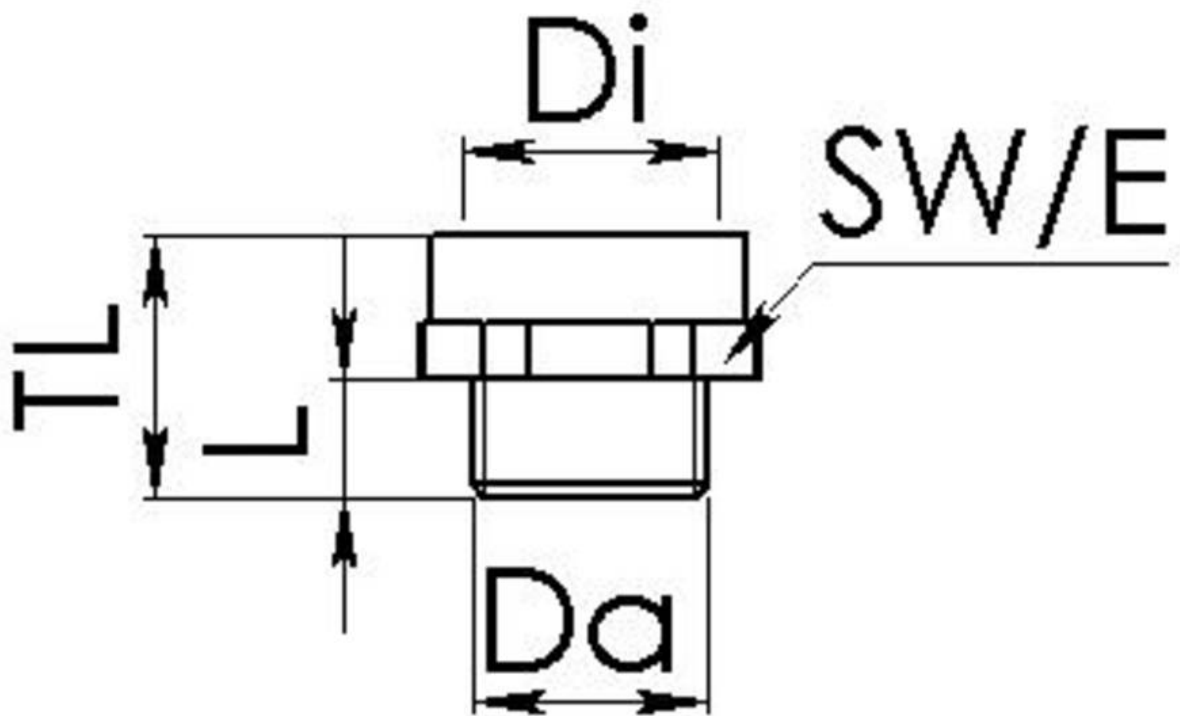
Your Contact:

WISKA Hoppmann GmbH

Kisdorfer Weg 28 · 24568 Kaltenkirchen · Germany

☎ +49-4191-508-0 · 📠 +49-4191-508-209

contact@wiska.de · www.wiska.com



Your Contact:

WISKA Hoppmann GmbH

Kisdorfer Weg 28 · 24568 Kaltenkirchen · Germany

☎ +49-4191-508-0 · 📠 +49-4191-508-209

contact@wiska.de · www.wiska.com