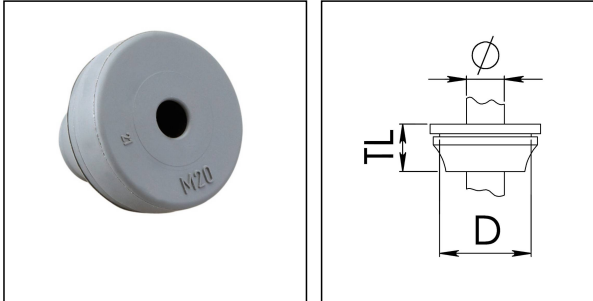


FD 32

FLIP cable grommet, EPDM, RAL 7001, M32



Products may differ in size, colour and appearance to those shown. If you require further information or customisation, please contact us directly.



Material	EPDM
Temp. range min	-40 °C
Temp. range max	110 °C
Protection class	IP66 / IP67
Thread type	M
Ø Connection thread D	32
Ø cable diameter min	15 mm
Ø cable diameter max	20 mm
Total length TL	25 mm
Ø Drilling	32 mm - 33 mm
Wall thickness S	1 mm - 4 mm
Product Color	RAL 7001
Order no. RAL 7001	50062774
Type	FD 32
Packing unit	25
ETIM-Classification	EC000451

14.01.2021

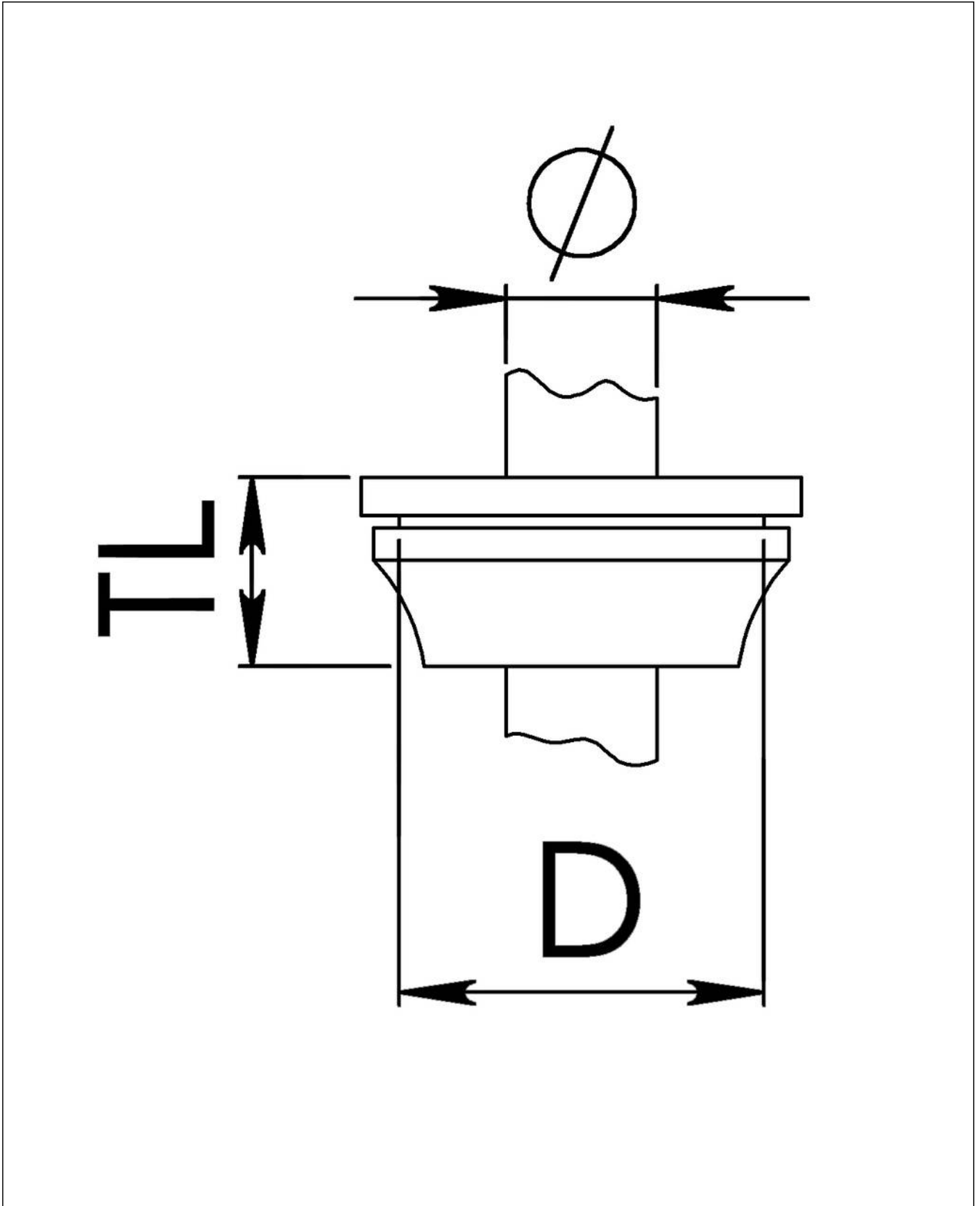
Your Contact:

WISKA Hoppmann GmbH

Kisdorfer Weg 28 · 24568 Kaltenkirchen · Germany

☎ +49-4191-508-0 · 📠 +49-4191-508-209

contact@wiska.de · www.wiska.com



Your Contact:

WISKA Hoppmann GmbH

Kisdorfer Weg 28 · 24568 Kaltenkirchen · Germany

☎ +49-4191-508-0 · 📠 +49-4191-508-209

✉ contact@wiska.de · www.wiska.com