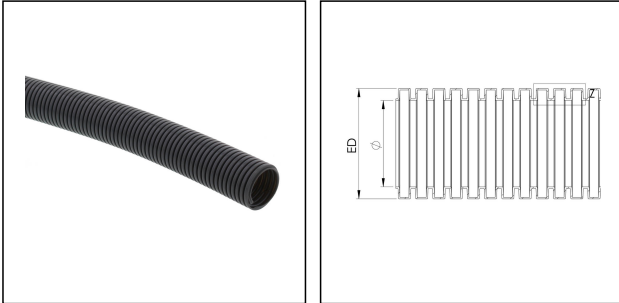


## BCIB-H-48-BK

Conduit, PA 12 HB, heavyweight, RAL 9005, NW48



Products may differ in size, colour and appearance to those shown. If you require further information or customisation, please contact us directly.



<b>Material</b>	PA12 UL94-HB
<b>Temp. range min</b>	-40 °C
<b>Temp. range max</b>	120 °C
<b>Operational areas</b>	Robotics applications
<b>Product Color</b>	RAL 9005
<b>NW</b>	48
<b>External diameter ED</b>	54,5 mm
<b>Ø inside</b>	46,5 mm
<b>Profile width A</b>	4,3 mm
<b>Width B</b>	4,1 mm
<b>Bending radius R</b>	102 mm
<b>Wall thickness S</b>	0,7 mm
<b>Model</b>	heavy
<b>Type</b>	BCIB-H-48-BK
<b>Order no. RAL 9005</b>	10109228
<b>Packing unit</b>	25 m
<b>ETIM-Classification</b>	EC001175

### Recommended accessories

<b>EBFS-48-50-BK</b>	10106875
<b>EBFS-48-63-BK</b>	10106876
<b>EMBFS-48-50-BK</b>	10106907
<b>EMBFS-48-63-BK</b>	10106908

Your Contact:

WISKA Hoppmann GmbH

Kisdorfer Weg 28 · 24568 Kaltenkirchen · Germany

☎ +49-4191-508-0 · 📠 +49-4191-508-209

contact@wiska.de · www.wiska.com

<b>EMBFSI-48-50-BK</b>	10106929
<b>BCC-48-BK</b>	10106947
<b>EBF45-48-50-BK</b>	10106963
<b>EBF90-48-50-BK</b>	10106981
<b>EMBF90-48-50-BK</b>	10107026
<b>EMBF90-48-63-BK</b>	10107027
<b>EMBF45-48-50-BK</b>	10107331
<b>EMBF45-48-63-BK</b>	10107332
<b>EMBF45I-48-50-BK</b>	10107346
<b>EMBF90I-48-50-BK</b>	10107370
<b>EMBFSCG-48-50-BK</b>	10107386
<b>EMBF45CG-48-50-BK</b>	10107998
<b>EMBF90CG-48-50-BK</b>	10108012
<b>EBF45-48-63-BK</b>	10108883

14.01.2021

Your Contact:

**WISKA Hoppmann GmbH**

Kisdorfer Weg 28 · 24568 Kaltenkirchen · Germany

☎ +49-4191-508-0 · 📠 +49-4191-508-209

contact@wiska.de · www.wiska.com



Your Contact:

**WISKA Hoppmann GmbH**

Kisdorfer Weg 28 · 24568 Kaltenkirchen · Germany

☎ +49-4191-508-0 · 📠 +49-4191-508-209

✉ contact@wiska.de · www.wiska.com