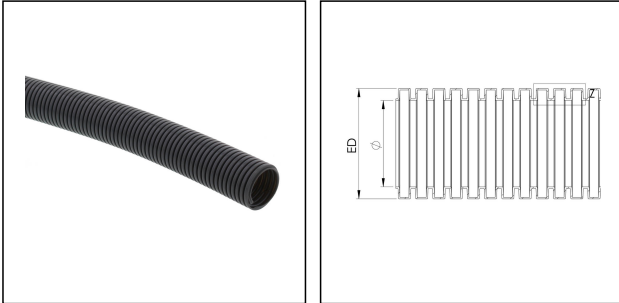


BCAV-H-48-BG

Conduit, PA 6 V2, heavyweight, RAL 7031, NW48



Products may differ in size, colour and appearance to those shown. If you require further information or customisation, please contact us directly.



Material	PA6 UL94-V2
Temp. range min	-40 °C
Temp. range max	125 °C
Operational areas	Heavy mechanical engineering
Product Color	RAL 7031
NW	48
External diameter ED	54,5 mm
Ø inside	45,5 mm
Profile width A	4,3 mm
Width B	2,8 mm
Bending radius R	112 mm
Wall thickness S	0,7 mm
Model	heavy
Type	BCAV-H-48-BG
Order no. RAL 7031	10109214
Packing unit	25 m
ETIM-Classification	EC001175

Recommended accessories

EBFS-48-50-BG	10106858
EBFS-48-63-BG	10106859
EMBFS-48-50-BG	10106891
EMBFS-48-63-BG	10106892

Your Contact:

WISKA Hoppmann GmbH

Kisdorfer Weg 28 · 24568 Kaltenkirchen · Germany

☎ +49-4191-508-0 · 📠 +49-4191-508-209

contact@wiska.de · www.wiska.com

EMBFSI-48-50-BG	10106921
BCC-48-BG	10106938
EBF45-48-50-BG	10106955
EBF90-48-50-BG	10106973
EMBF45-48-50-BG	10106995
EMBF45-48-63-BG	10106996
EMBF90-48-50-BG	10107011
EMBF90-48-63-BG	10107012
EMBF45I-48-50-BG	10107339
EMBF90I-48-50-BG	10107362
EMBFSCG-48-50-BG	10107378
EMBF45CG-48-50-BG	10107992
EMBF90CG-48-50-BG	10108005
EBF45-48-63-BG	10108882
EBF90-48-63-BG	10108890

14.01.2021

Your Contact:

WISKA Hoppmann GmbH

Kisdorfer Weg 28 · 24568 Kaltenkirchen · Germany

☎ +49-4191-508-0 · 📠 +49-4191-508-209

contact@wiska.de · www.wiska.com



Your Contact:

WISKA Hoppmann GmbH

Kisdorfer Weg 28 · 24568 Kaltenkirchen · Germany

☎ +49-4191-508-0 · 📠 +49-4191-508-209

✉ contact@wiska.de · 🌐 www.wiska.com