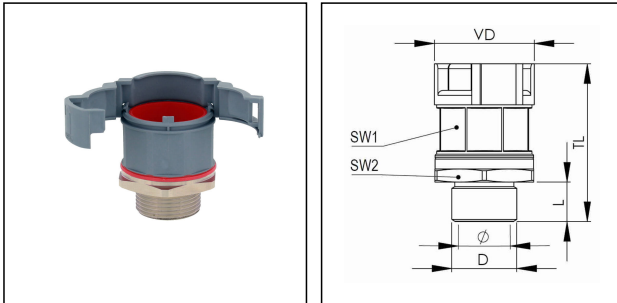


EMBFS-48-50-BG

Conduit fitting, straight, plastic/brass nickel-plated, RAL 7031, NW 48 / M50



Products may differ in size, colour and appearance to those shown. If you require further information or customisation, please contact us directly.



Material Conduit fitting	polyamide UL94-V0
Material Connection thread	Brass nickel-plated
Material sealing gasket	TPU
Protection class	IP66, IP68
Temp. range min	-40 °C
Temp. range max	100 °C
Operational areas	EN 45545 - Railway
NW	48
Thread type	M
Ø Connection thread D	50
Lead	1,5
Length screw-in thread L	14 mm
Ø closure VD	68 mm
Ø inside	42,5 mm
Key width SW1	60 mm
Key width SW2	65 mm
Total length TL	62,3 mm
Type of conduit fitting	straight
UL 1696	Yes
Product Color	RAL 7031
Type	EMBFS-48-50-BG
Order no. RAL 7031	10106891
Packing unit	5
ETIM-Classification	EC001176

Your Contact:

WISKA Hoppmann GmbH

Kisdorfer Weg 28 · 24568 Kaltenkirchen · Germany

☎ +49-4191-508-0 · 📠 +49-4191-508-209

contact@wiska.de · www.wiska.com

Recommended accessories

EMMU 50	10063147
BCAV-S-48-BG	10107103
BCIV-S-48-BG	10107119
BCA-48-D-BG	10107133
BCAV-48-D-BG	10107147
BCA-S-48-BG	10109178
BCAB-L-48-BG	10109198
BCAV-H-48-BG	10109214
BCIB-H-48-BG	10109237

14.01.2021

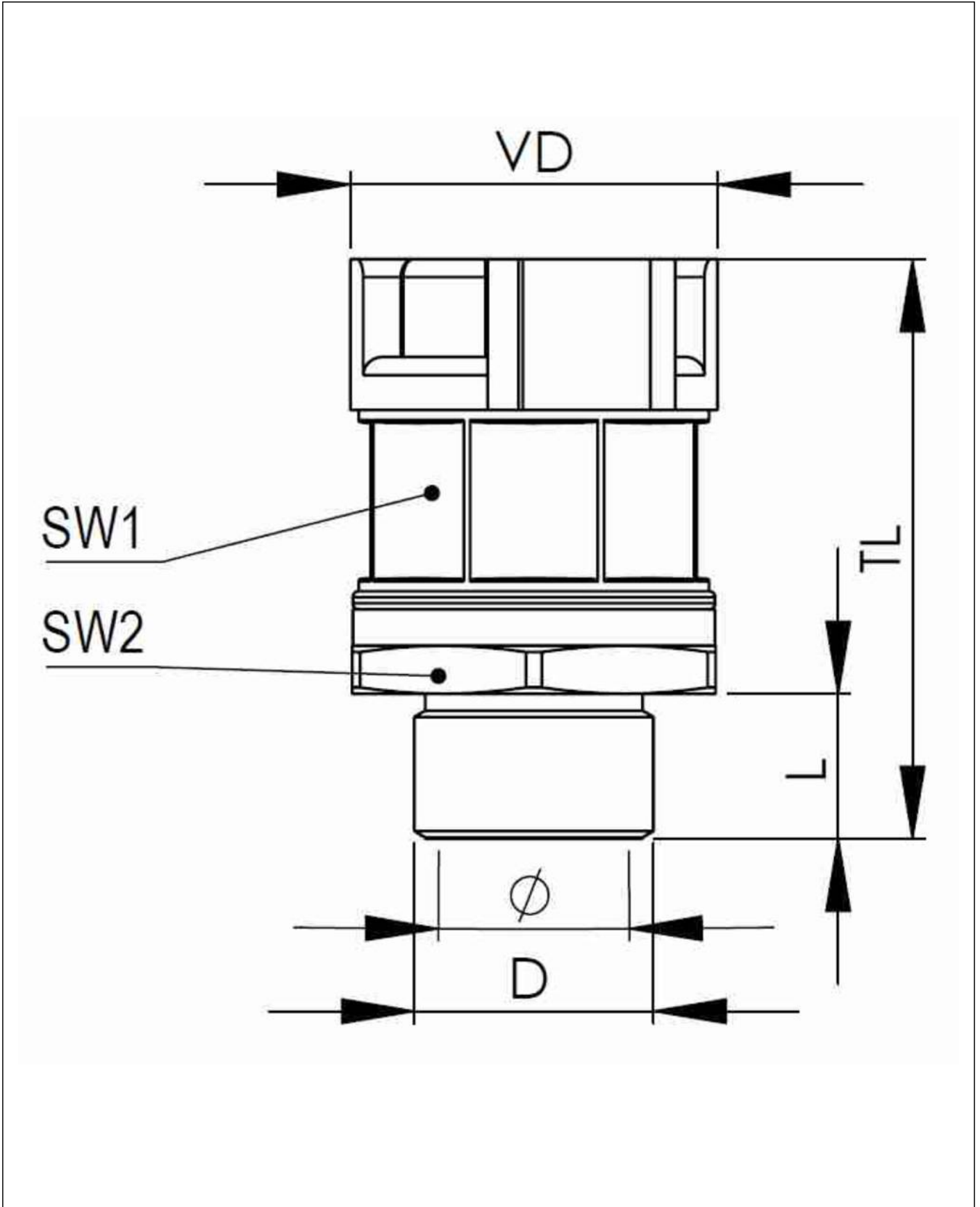
Your Contact:

WISKA Hoppmann GmbH

Kisdorfer Weg 28 · 24568 Kaltenkirchen · Germany

☎ +49-4191-508-0 · 📠 +49-4191-508-209

contact@wiska.de · www.wiska.com



Your Contact:

WISKA Hoppmann GmbH

Kisdorfer Weg 28 · 24568 Kaltenkirchen · Germany

☎ +49-4191-508-0 · 📠 +49-4191-508-209

contact@wiska.de · www.wiska.com