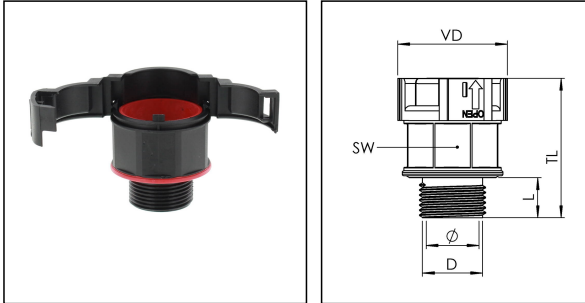


## EBFS-07-12-BK

Conduit fitting, straight, non-metallic, RAL 9005, NW 07 / M12



Products may differ in size, colour and appearance to those shown. If you require further information or customisation, please contact us directly.



<b>Material Conduit fitting</b>	polyamide UL94-V0
<b>Material Connection thread</b>	polyamide UL94-V0
<b>Material sealing gasket</b>	TPU
<b>Protection class</b>	IP66, IP68
<b>Temp. range min</b>	-40 °C
<b>Temp. range max</b>	100 °C
<b>Operational areas</b>	EN 45545 - Railway
<b>NW</b>	7
<b>Thread type</b>	M
<b>Ø Connection thread D</b>	12
<b>Lead</b>	1,5
<b>Length screw-in thread L</b>	10 mm
<b>Ø closure VD</b>	21,6 mm
<b>Ø inside</b>	5,7 mm
<b>Key width SW</b>	17 mm
<b>Total length TL</b>	35,1 mm
<b>Type of conduit fitting</b>	straight
<b>UL 1696</b>	No
<b>Product Color</b>	RAL 9005
<b>Type</b>	EBFS-07-12-BK
<b>Order no. RAL 9005</b>	10106861
<b>Packing unit</b>	50
<b>ETIM-Classification</b>	EC001176

Your Contact:

WISKA Hoppmann GmbH

Kisdorfer Weg 28 · 24568 Kaltenkirchen · Germany

☎ +49-4191-508-0 · 📠 +49-4191-508-209

contact@wiska.de · www.wiska.com

**Recommended accessories**

**EMUG 12**

10061780

14.01.2021

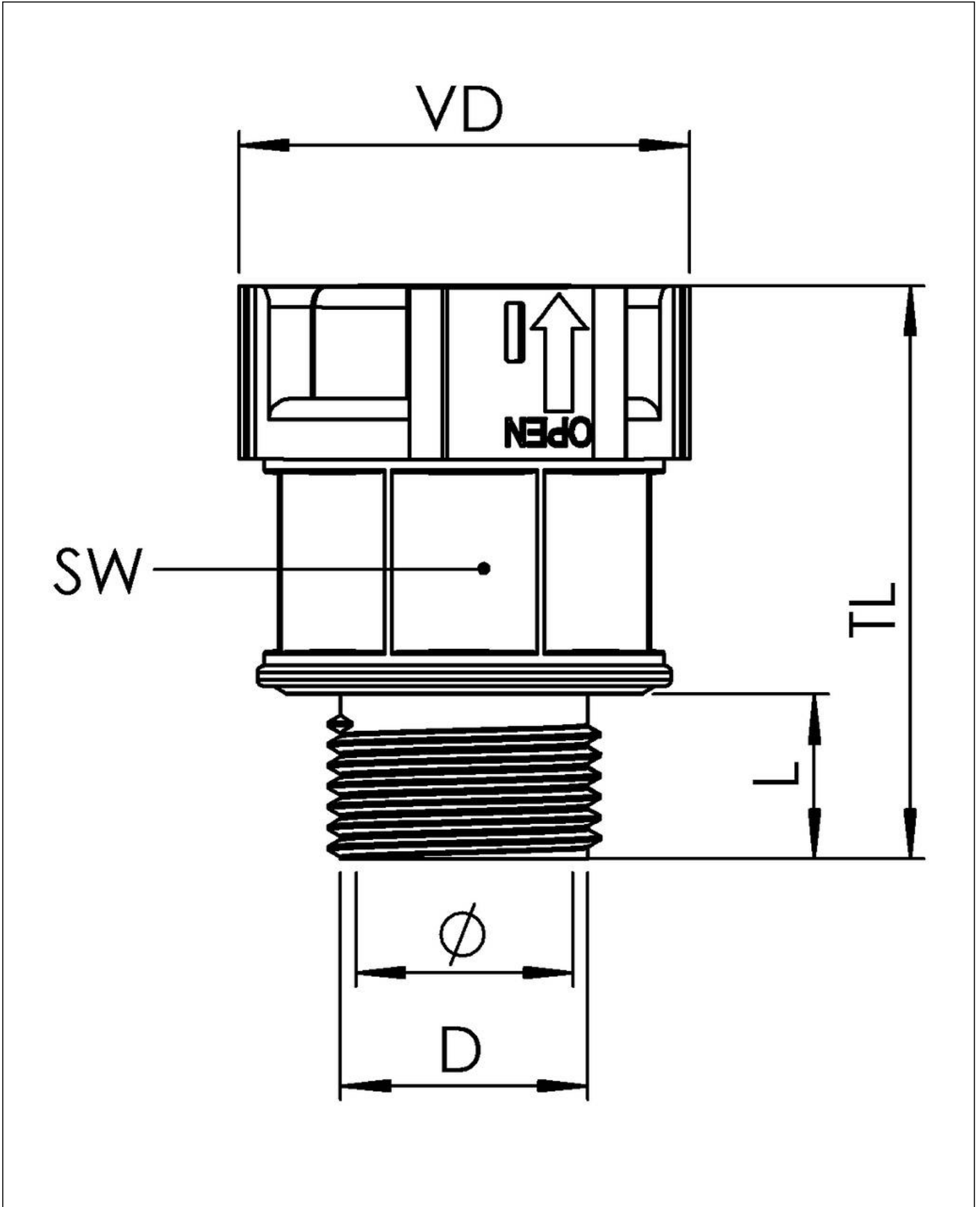
Your Contact:

**WISKA Hoppmann GmbH**

Kisdorfer Weg 28 · 24568 Kaltenkirchen · Germany

 +49-4191-508-0 ·  +49-4191-508-209

[contact@wiska.de](mailto:contact@wiska.de) · [www.wiska.com](http://www.wiska.com)



Your Contact:

**WISKA Hoppmann GmbH**

Kisdorfer Weg 28 · 24568 Kaltenkirchen · Germany

☎ +49-4191-508-0 · 📠 +49-4191-508-209

contact@wiska.de · www.wiska.com