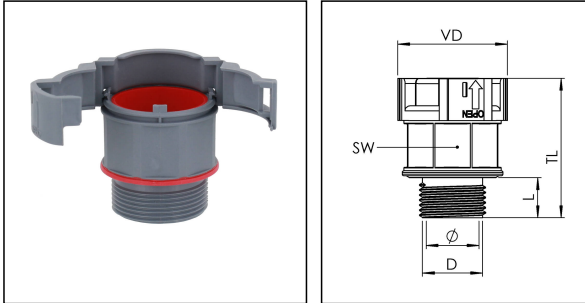


EBFS-07-12-BG

Conduit fitting, straight, non-metallic, RAL 7031, NW 07 / M12



Products may differ in size, colour and appearance to those shown. If you require further information or customisation, please contact us directly.



BRACE



hategen



Material Conduit fitting	polyamide UL94-V0
Material Connection thread	polyamide UL94-V0
Material sealing gasket	TPU
Protection class	IP66, IP68
Temp. range min	-40 °C
Temp. range max	100 °C
Operational areas	EN 45545 - Railway
NW	7
Thread type	M
Ø Connection thread D	12
Lead	1,5
Length screw-in thread L	10 mm
Ø closure VD	21,6 mm
Ø inside	5,7 mm
Key width SW	17 mm
Total length TL	35,1 mm
Type of conduit fitting	straight
UL 1696	No
Product Color	RAL 7031
Type	EBFS-07-12-BG
Order no. RAL 7031	10106844
Packing unit	50
ETIM-Classification	EC001176

Your Contact:

WISKA Hoppmann GmbH

Kisdorfer Weg 28 · 24568 Kaltenkirchen · Germany

☎ +49-4191-508-0 · 📠 +49-4191-508-209

contact@wiska.de · www.wiska.com

Recommended accessories

BCAV-S-07-BG	10107095
BCA-S-07-BG	10109177
BCIV-S-07-BG	10109180
BCAB-L-07-BG	10109190
BCAV-H-07-BG	10109207
BCIB-H-07-BG	10109229

14.01.2021

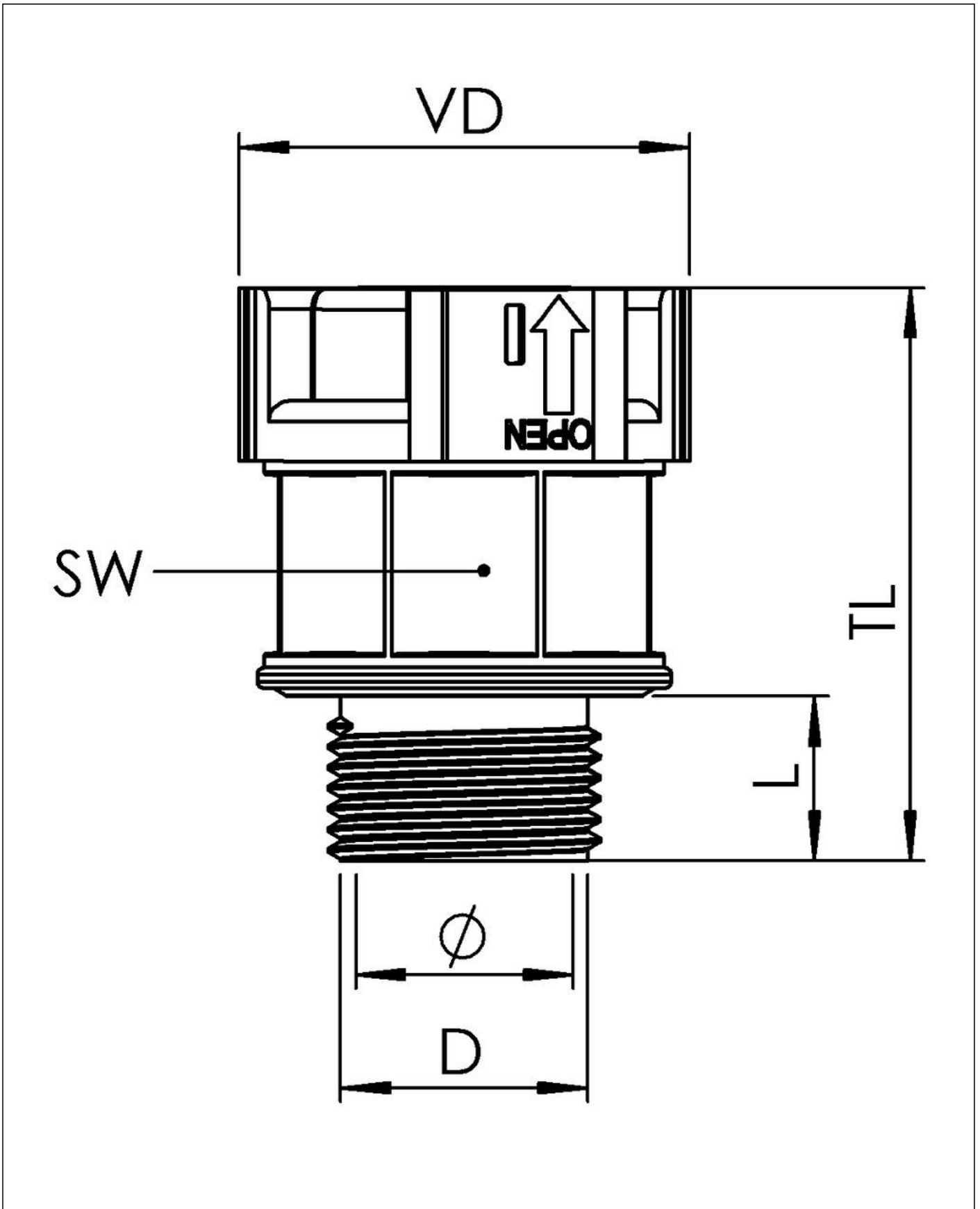
Your Contact:

WISKA Hoppmann GmbH

Kisdorfer Weg 28 · 24568 Kaltenkirchen · Germany

☎ +49-4191-508-0 · 📠 +49-4191-508-209

contact@wiska.de · www.wiska.com



Your Contact:

WISKA Hoppmann GmbH

Kisdorfer Weg 28 · 24568 Kaltenkirchen · Germany

☎ +49-4191-508-0 · 📠 +49-4191-508-209

contact@wiska.de · www.wiska.com