

EMCGV 20-160 LT

Compression gland LowTemp, brass nickel-plated, M20



Products may differ in size, colour and appearance to those shown. If you require further information or customisation, please contact us directly.



Material cable gland	Brass nickel-plated
Material sealing gasket	Silicone
Temp. range min	-60 °C
Temp. range max	180 °C
Protection class	IP68 (5 bar 30 min)
Thread type	M
Ø Connection thread D	20
Lead	1,5
Length screw-in thread L	6 mm
Ø cable diameter min	14 mm
Ø cable diameter max	16 mm
Key width SW	27 mm
Collar diameter (E)	30 mm
Total length TL	22 mm - 26,5 mm
Order no. nickel-plated	10106509
Packing unit	50
Type	EMCGV 20-160 LT
ETIM-Classification	EC000441

Recommended accessories

EMMU 20	10063143
----------------	----------

14.01.2021

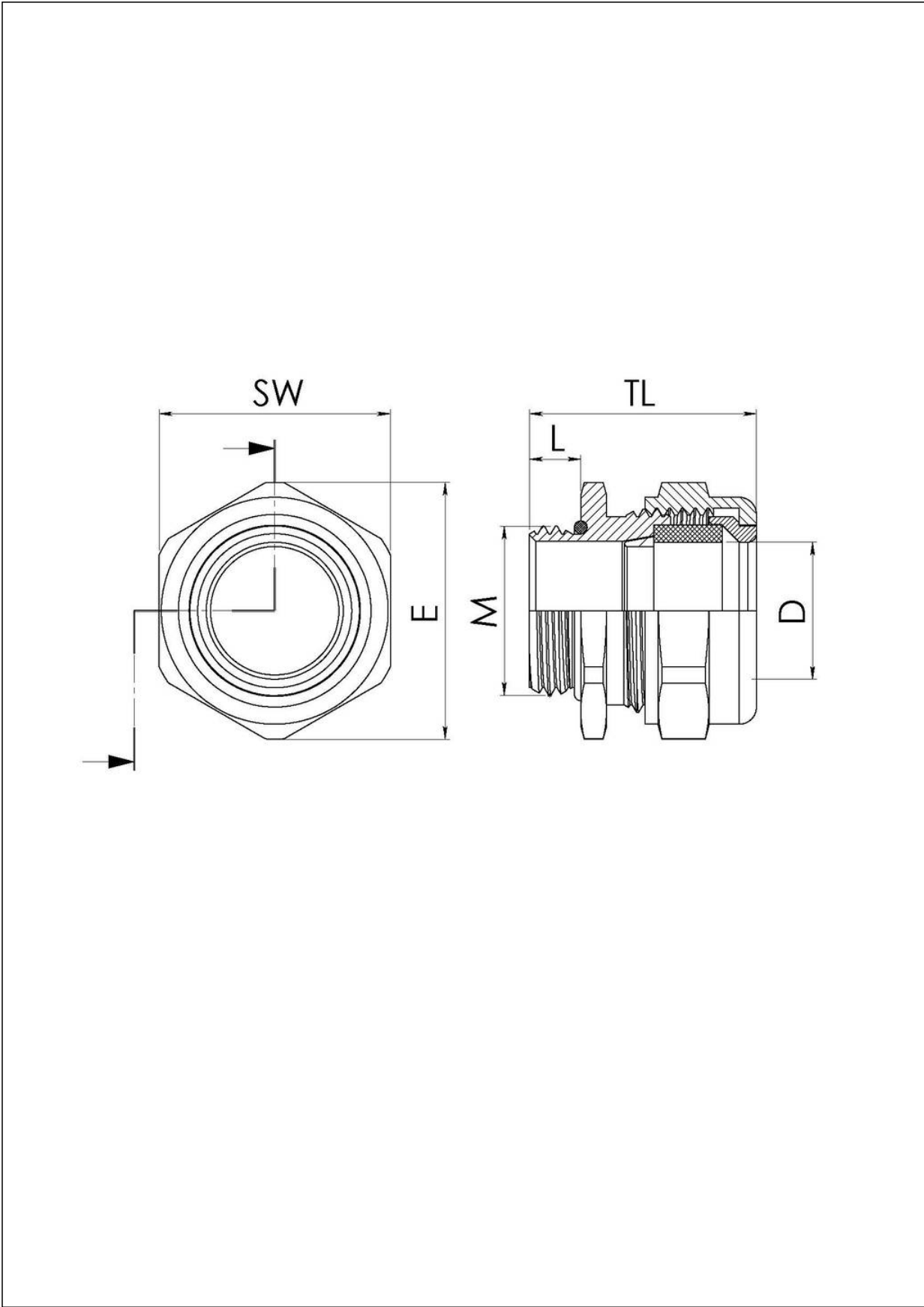
Your Contact:

WISKA Hoppmann GmbH

Kisdorfer Weg 28 · 24568 Kaltenkirchen · Germany

☎ +49-4191-508-0 · 📠 +49-4191-508-209

contact@wiska.de · www.wiska.com



Your Contact:
WISKA Hoppmann GmbH
Kisdorfer Weg 28 · 24568 Kaltenkirchen · Germany
☎ +49-4191-508-0 · 📠 +49-4191-508-209
contact@wiska.de · www.wiska.com