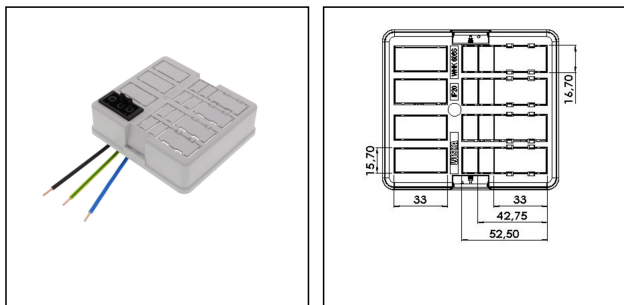


WHK 608SD-1x3p-Ad-v

Cover WHK 608



Products may differ in size, colour and appearance to those shown. If you require further information or customisation, please contact us directly.



Material	Polystyrene
Temp. range min	-20 °C
Temp. range max	60 °C
Temperatures during install.	-5 °C - 60 °C
Protection class	IP20
Voltage	400 V
Wire	wired
External dimensions LxWxH	108 x 98 x 44mm
Product Color	RAL 7035
WISKA-Order no.	10106022
Type	WHK 608SD-1x3p-Ad-v
Packing unit	5

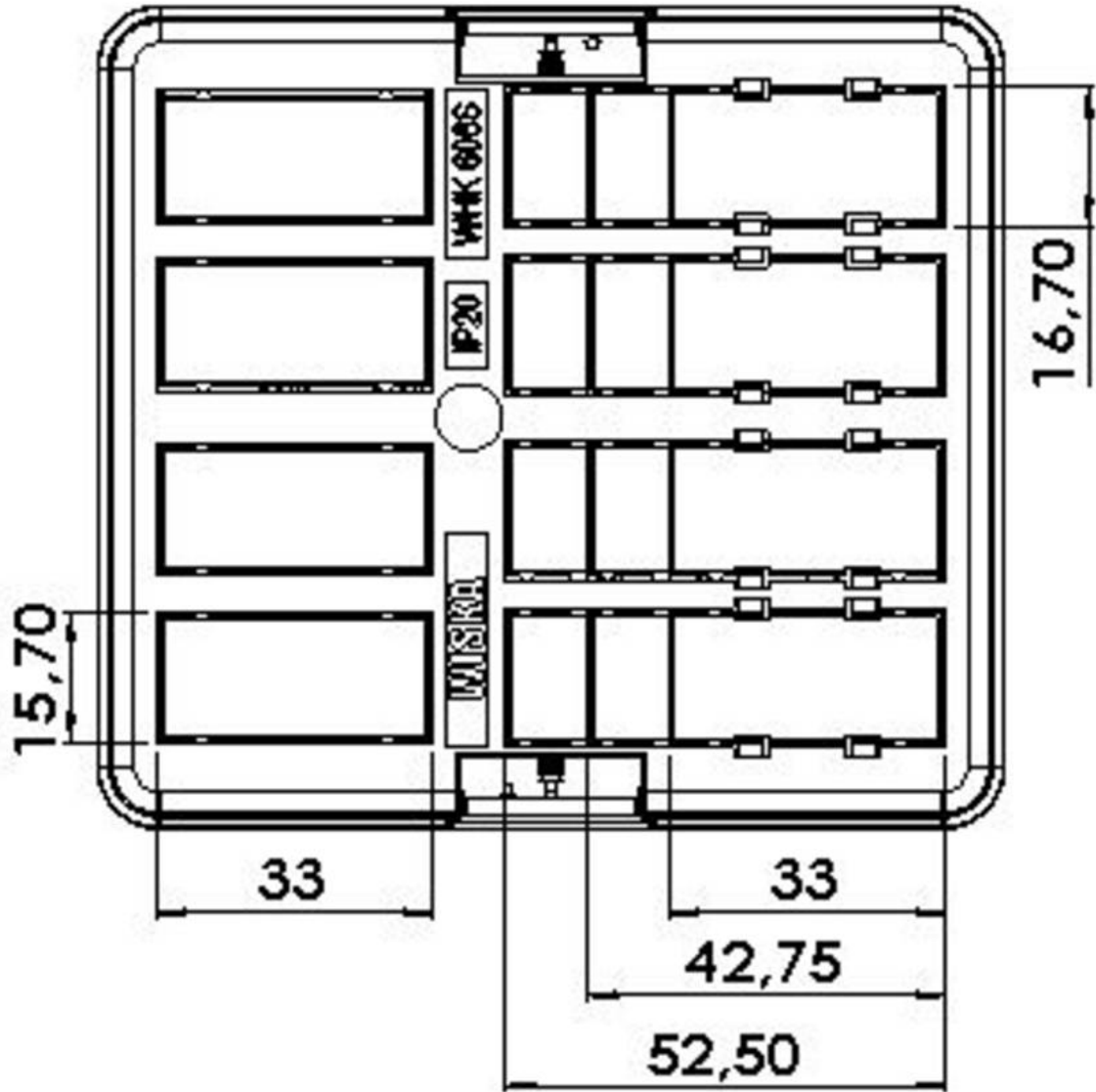
Remarks:

Cover WHK 608S,
 1x built-in socket AC166 GEBU /
 3-pole black VSE, wired
 lockable,
 Adels Contact

14.01.2021

Your Contact:

WISKA Hoppmann GmbH
 Kisdorfer Weg 28 · 24568 Kaltenkirchen · Germany
 ☎ +49-4191-508-0 · 📠 +49-4191-508-209
 contact@wiska.de · www.wiska.com



Your Contact:

WISKA Hoppmann GmbH

Kisdorfer Weg 28 · 24568 Kaltenkirchen · Germany

☎ +49-4191-508-0 · 📠 +49-4191-508-209

contact@wiska.de · www.wiska.com