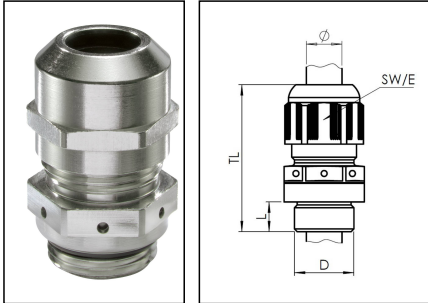


## EMSVG 32 RW

Railway pressure compensation cable gland, brass nickel-plated, M32



Products may differ in size, colour and appearance to those shown. If you require further information or customisation, please contact us directly.



Material cable gland	Brass nickel-plated
Material sealing gasket	EPDM
Material clamping cage	Polyamide UL94-V0
Material membrane	ePTFE
Airflow at 70mbar	115 l/h
Temp. range min	-40 °C
Temp. range max	100 °C
Protection class	IP68
Thread type	M
Ø Connection thread D	32
Lead	1,5
Length screw-in thread L	8 mm
Ø cable diameter min	13 mm
Ø cable diameter max	21 mm
Key width SW	36 mm
Collar diameter (E)	40 mm
Total length TL	47 mm - 56 mm
Order no. nickel-plated	10105876
Type	EMSVG 32 RW
Packing unit	1
ETIM-Classification	EC000441

### Recommended accessories

Your Contact:

WISKA Hoppmann GmbH

Kisdorfer Weg 28 · 24568 Kaltenkirchen · Germany

☎ +49-4191-508-0 · 📠 +49-4191-508-209

contact@wiska.de · www.wiska.com

<b>EMMU 32</b>	10063145
<b>BS 21</b>	10064014
<b>RDE 32 RW</b>	10105374
<b>MFD 32/04/080 RW</b>	10105547
<b>MFD 32/03/080 RW</b>	10105552
<b>MFD 32/01/115-01/050 RW</b>	10105553

14.01.2021

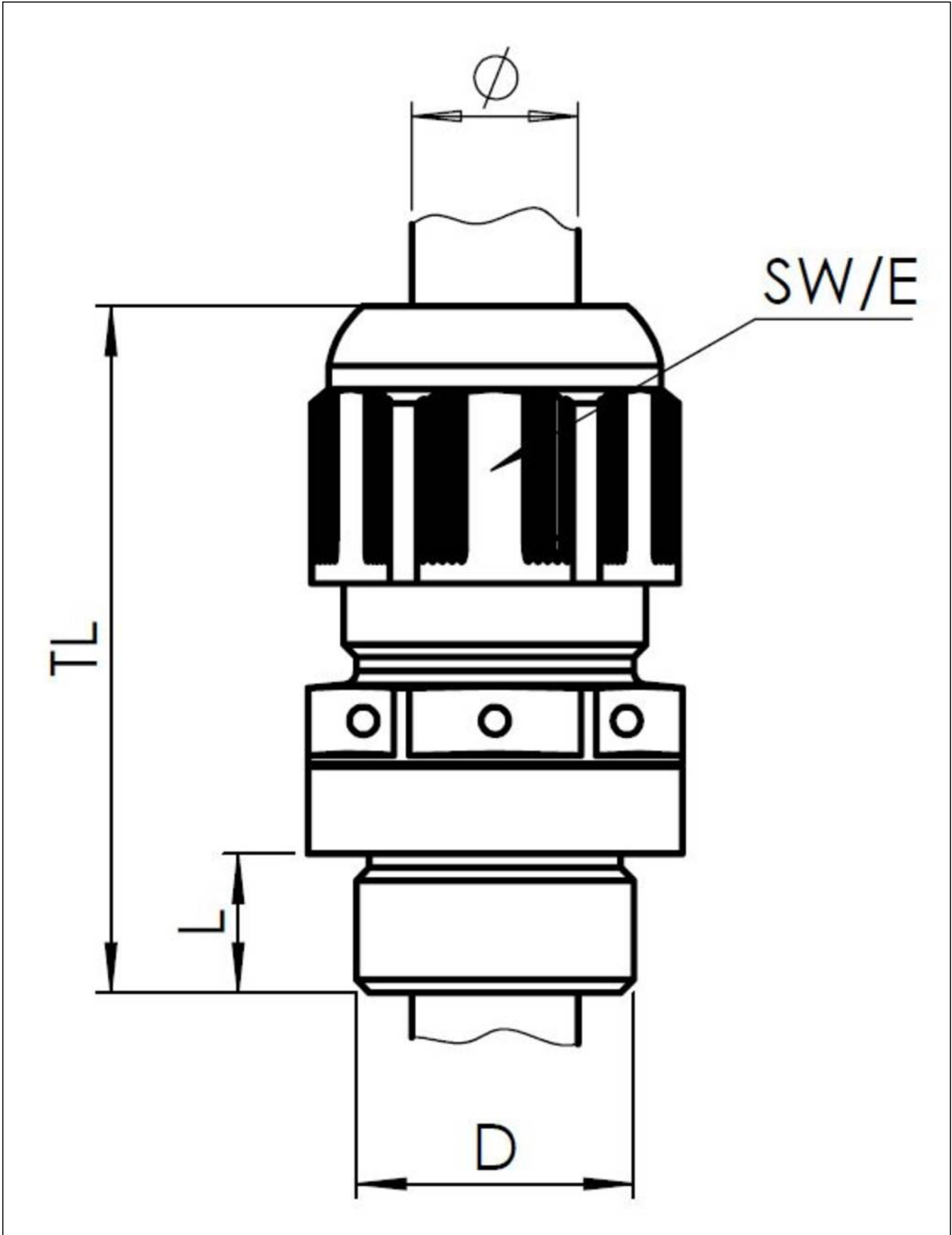
Your Contact:

**WISKA Hoppmann GmbH**

Kisdorfer Weg 28 · 24568 Kaltenkirchen · Germany

☎ +49-4191-508-0 · 📠 +49-4191-508-209

contact@wiska.de · www.wiska.com



Your Contact:

**WISKA Hoppmann GmbH**

Kisdorfer Weg 28 · 24568 Kaltenkirchen · Germany

☎ +49-4191-508-0 · 📠 +49-4191-508-209

contact@wiska.de · www.wiska.com