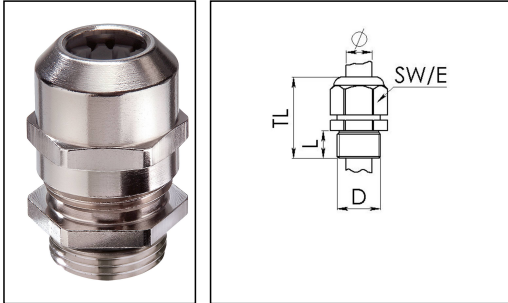


EMSKV 63 RW

Railway cable gland, brass nickel-plated, with short thread, M63



Products may differ in size, colour and appearance to those shown. If you require further information or customisation, please contact us directly.



| | |
|----------------------------|-----------------------------|
| Material cable gland | Brass nickel-plated |
| Material sealing gasket | EPDM |
| Material clamping cage | Polyamide UL94-V0 |
| Hazard level EN acc. 45545 | R22=HL3 / R23=HL3 / R24=HL3 |
| Protection class | IP69, IP68 (5 bar 30 min) |
| Thread type | M |
| Ø Connection thread D | 63 |
| Lead | 1,5 |
| Length screw-in thread L | 10 mm |
| Temp. range min | -40 °C |
| Temp. range max | 100 °C |
| Ø cable diameter min | 34 mm |
| Ø cable diameter max | 48 mm |
| Key width SW | 68 mm |
| Collar diameter (E) | 75 mm |
| Total length TL | 56 mm - 67 mm |
| Install. torques fitting | 40 N m |
| Install. torques cap nut | 40 N m |
| Type of cable anchorage | A |
| Impact category | 6 |
| Surface | Nickel-plated |
| Order no. nickel-plated | 10104301 |
| Type | EMSKV 63 RW |
| Packing unit | 10 |
| ETIM-Classification | EC000441 |

Your Contact:

WISKA Hoppmann GmbH

Kisdorfer Weg 28 · 24568 Kaltenkirchen · Germany

☎ +49-4191-508-0 · 📠 +49-4191-508-209

contact@wiska.de · www.wiska.com

Remarks:

Meets fire protection standard EN 45545 and all requirements of Hazard Level 3 with fire resistance E30

Recommended accessories

| | |
|-------------------------|----------|
| EMMU 63 | 10063148 |
| BS 48 | 10064019 |
| RDE 63 RW | 10105377 |
| MFD 63/03/065 RW | 10105937 |

14.01.2021

Your Contact:

WISKA Hoppmann GmbH

Kisdorfer Weg 28 · 24568 Kaltenkirchen · Germany

☎ +49-4191-508-0 · 📠 +49-4191-508-209

contact@wiska.de · www.wiska.com



Your Contact:

WISKA Hoppmann GmbH

Kisdorfer Weg 28 · 24568 Kaltenkirchen · Germany

☎ +49-4191-508-0 · 📠 +49-4191-508-209

contact@wiska.de · www.wiska.com