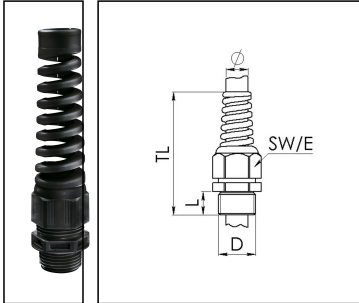


ESKE/1S-e 25

Ex-cable gland, polyamide with flex protection, RAL 9005, M25



Products may differ in size, colour and appearance to those shown. If you require further information or customisation, please contact us directly.



| | |
|--------------------------|--------------------------------|
| Material cable gland | Polyamide |
| Material sealing gasket | EPDM |
| Temp. range min | -40 °C |
| Temp. range max | 75 °C |
| Protection class | IP66 / IP68 (5 bar 30 min) |
| Type of protection | Ex eb, Ex tb |
| Ex-Certificate | IECEx, ATEX |
| Glow wire test | 750 °C |
| Thread type | M |
| Ø Connection thread D | 25 |
| Lead | 1,5 |
| Length screw-in thread L | 10 mm |
| Ø cable diameter min | 10 mm |
| Ø cable diameter max | 17 mm |
| Key width SW | 29 mm |
| Collar diameter (E) | 32 mm |
| Total length TL | 119 mm - 128 mm |
| Install. torques fitting | 3 N m |
| Install. torques cap nut | 2 N m |
| Equipment | Incl. connection thread gasket |
| Product Color | RAL 9005 |
| Order no. RAL 9005 | 10103496 |
| Type | ESKE/1S-e 25 |
| Packing unit | 25 |
| ETIM-Classification | EC000441 |

Your Contact:

WISKA Hoppmann GmbH

Kisdorfer Weg 28 · 24568 Kaltenkirchen · Germany

☎ +49-4191-508-0 · 📠 +49-4191-508-209

contact@wiska.de · www.wiska.com

Recommended accessories

| | |
|----------------|----------|
| RDE 25 | 10060768 |
| EMUG 25 | 10061783 |
| BS 17 | 10064012 |

14.01.2021

Your Contact:

WISKA Hoppmann GmbH

Kisdorfer Weg 28 · 24568 Kaltenkirchen · Germany

☎ +49-4191-508-0 · 📠 +49-4191-508-209

contact@wiska.de · www.wiska.com



Your Contact:

WISKA Hoppmann GmbH

Kisdorfer Weg 28 · 24568 Kaltenkirchen · Germany

☎ +49-4191-508-0 · 📠 +49-4191-508-209

contact@wiska.de · www.wiska.com