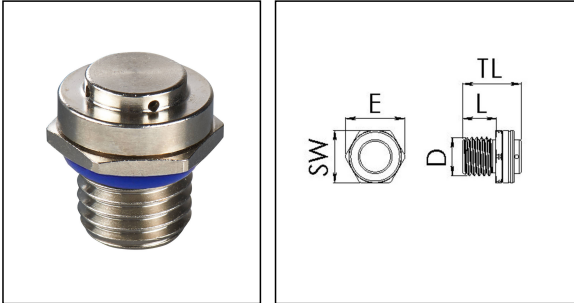


## EMVPS 12 HF

Pressure compensation plug, brass nickel-plated, M12



Products may differ in size, colour and appearance to those shown. If you require further information or customisation, please contact us directly.



<b>Material cable gland</b>	Brass nickel-plated
<b>Material sealing gasket</b>	Silicone, EPDM
<b>Material membrane</b>	ePTFE HF
<b>Airflow at 70mbar</b>	34 l/h
<b>Temp. range min</b>	-40 °C
<b>Temp. range max</b>	100 °C
<b>Protection class</b>	IP68 / IP69
<b>Thread type</b>	M
<b>Ø Connection thread D</b>	12
<b>Lead</b>	1,5
<b>Length screw-in thread L</b>	10 mm
<b>Key width SW</b>	16 mm
<b>Collar diameter (E)</b>	18 mm
<b>Total length TL</b>	17,5 mm
<b>Tightening torque</b>	2 N m
<b>Surface</b>	Nickel-plated
<b>Order no. nickel-plated</b>	10103266
<b>Type</b>	EMVPS 12 HF
<b>Packing unit</b>	10

Remarks:

VentPLUG pressure compensation unit  
with raised venting  
Airflow 34 l/h at 70mbar

Your Contact:

**WISKA Hoppmann GmbH**  
Kisdorfer Weg 28 · 24568 Kaltenkirchen · Germany  
☎ +49-4191-508-0 · 📠 +49-4191-508-209  
contact@wiska.de · www.wiska.com

**Recommended accessories**

**EMMU 12**



10063141

14.01.2021

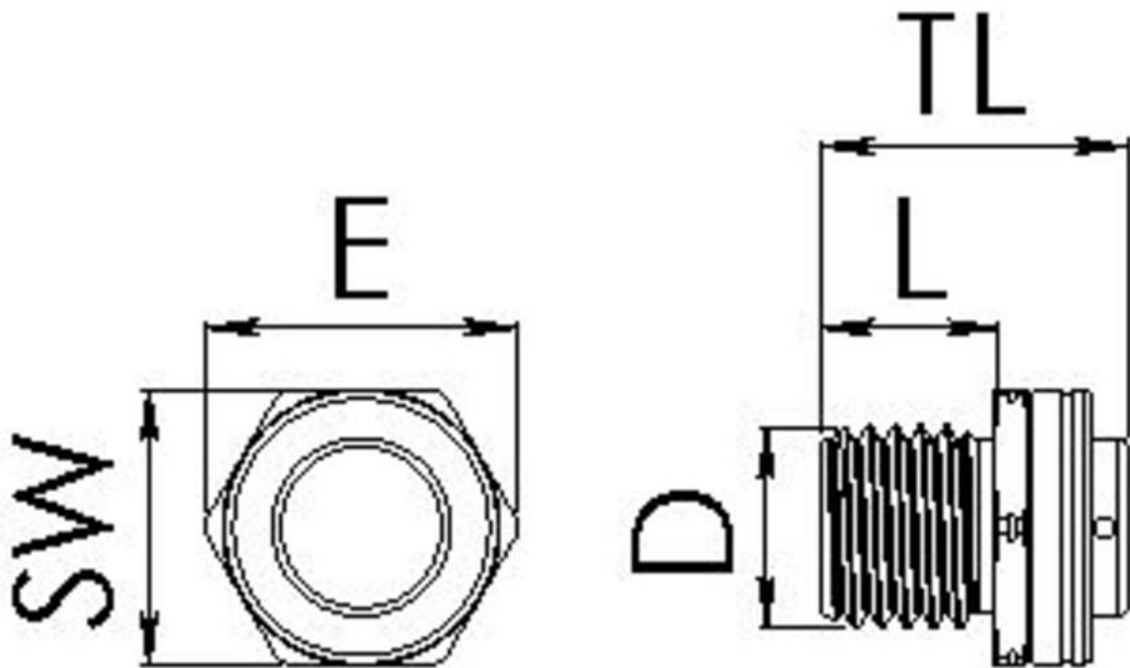
Your Contact:

**WISKA Hoppmann GmbH**

Kisdorfer Weg 28 · 24568 Kaltenkirchen · Germany

 +49-4191-508-0 ·  +49-4191-508-209

contact@wiska.de · www.wiska.com



Your Contact:

**WISKA Hoppmann GmbH**

Kisdorfer Weg 28 · 24568 Kaltenkirchen · Germany

☎ +49-4191-508-0 · 📠 +49-4191-508-209

✉ contact@wiska.de · www.wiska.com