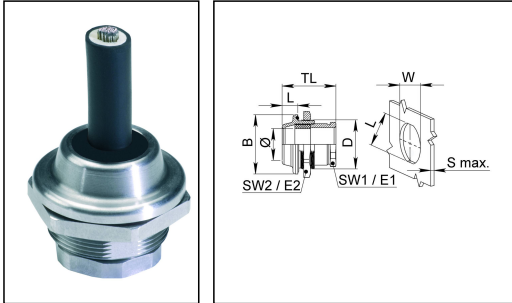


HGSM 40-E pack

Cable gland, stainless steel, M40



Products may differ in size, colour and appearance to those shown. If you require further information or customisation, please contact us directly.



Material cable gland	Stainless steel A2 (1.4305)
Material sealing gasket	EPDM
Temp. range min	-40 °C
Temp. range max	120 °C
Protection class	IP69, IP68 (5 bar 30 min)
Thread type	M
Ø Connection thread D	40
Lead	1,5
Ø cable diameter min	16 mm
Ø cable diameter max	29 mm
Key width SW1	35 mm
Key width SW2	46 mm
Collar diameter E1	37 mm
Collar diameter E2	50 mm
LxWxS (max)	37x40x10mm
BxL	46x14mm
Total length TL	33 mm - 47 mm
Advice	Incl. sealing rings, locknut
WISKA-Order no.	10101858
Type	HGSM 40-E pack
Packing unit	1
ETIM-Classification	EC000441

14.01.2021

Your Contact:

WISKA Hoppmann GmbH

Kisdorfer Weg 28 · 24568 Kaltenkirchen · Germany

☎ +49-4191-508-0 · 📠 +49-4191-508-209

contact@wiska.de · www.wiska.com



Your Contact:

WISKA Hoppmann GmbH

Kisdorfer Weg 28 · 24568 Kaltenkirchen · Germany

☎ +49-4191-508-0 · 📠 +49-4191-508-209

contact@wiska.de · www.wiska.com