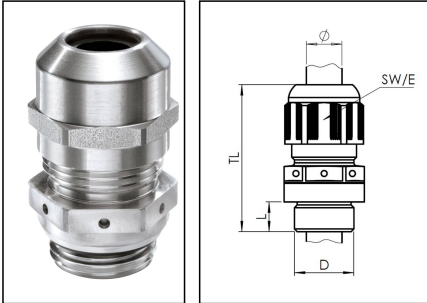


ESSVG-4 40 EMV-Z

EMC Pressure compensation cable gland, stainless steel 1.4404, M40



Products may differ in size, colour and appearance to those shown. If you require further information or customisation, please contact us directly.



| | |
|--------------------------|-----------------------------|
| Material cable gland | Stainless steel A4 (1.4404) |
| Material clamping cage | Polyamide |
| Material earthing insert | Brass chromium-plated |
| Material membrane | ePTFE |
| Material sealing gasket | EPDM |
| Airflow at 70mbar | 150 l/h |
| Temp. range min | -40 °C |
| Temp. range max | 100 °C |
| Protection class | IP68 / IP69 |
| Thread type | M |
| Ø Connection thread D | 40 |
| Lead | 1,5 |
| Length screw-in thread L | 8 mm |
| Ø cable diameter min | 16 mm |
| Ø cable diameter max | 28 mm |
| Ø cable diameter UL | 17,4 mm - 26,4 mm |
| Key width SW | 46 mm |
| Collar diameter (E) | 50 mm |
| Install. torques fitting | 20 N m |
| Install. torques cap nut | 20 N m |
| Total length TL | 57 mm - 70 mm |
| WISKA-Order no. | 10069509 |
| Type | ESSVG-4 40 EMV-Z |
| Packing unit | 1 |
| ETIM-Classification | EC000441 |

Your Contact:

WISKA Hoppmann GmbH

Kisdorfer Weg 28 · 24568 Kaltenkirchen · Germany

☎ +49-4191-508-0 · 📠 +49-4191-508-209

contact@wiska.de · www.wiska.com

Recommended accessories

| | |
|----------------|----------|
| RDE 40 | 10062187 |
| BS 28 | 10064016 |
| ESMU 40 | 10064193 |

14.01.2021

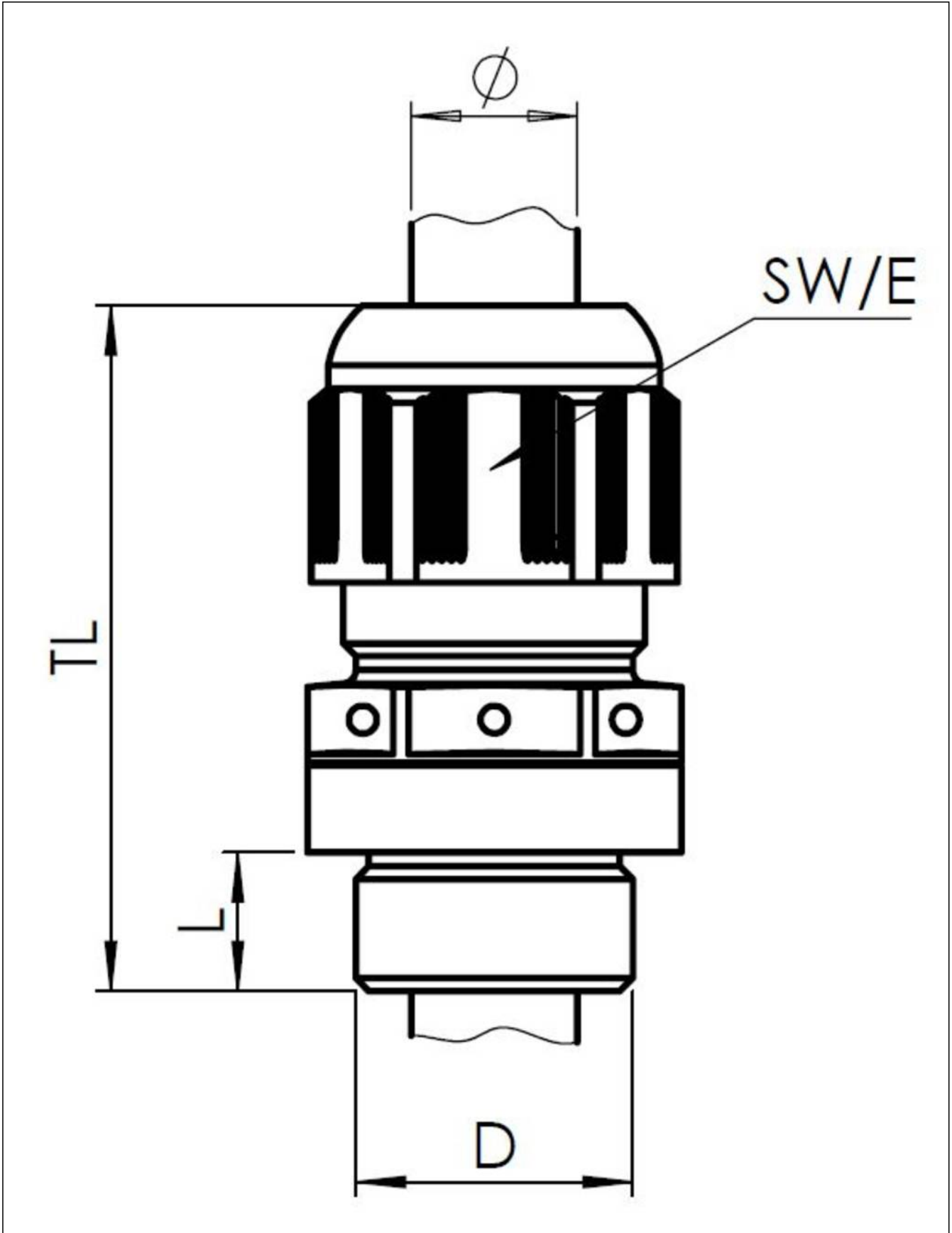
Your Contact:

WISKA Hoppmann GmbH

Kisdorfer Weg 28 · 24568 Kaltenkirchen · Germany

☎ +49-4191-508-0 · 📠 +49-4191-508-209

contact@wiska.de · www.wiska.com



Your Contact:
WISKA Hoppmann GmbH
Kisdorfer Weg 28 · 24568 Kaltenkirchen · Germany
☎ +49-4191-508-0 · 📠 +49-4191-508-209
contact@wiska.de · www.wiska.com