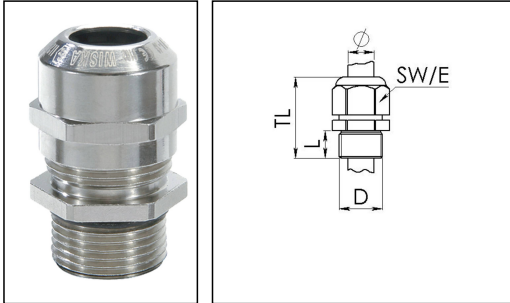


## EMSKE-L 20

Ex-cable gland, brass nickel-plated with long thread, M20



Products may differ in size, colour and appearance to those shown. If you require further information or customisation, please contact us directly.



|                          |                            |
|--------------------------|----------------------------|
| Material cable gland     | Brass nickel-plated        |
| Material clamping cage   | Polyamide                  |
| Material sealing gasket  | EPDM                       |
| Temp. range min          | -40 °C                     |
| Temp. range max          | 75 °C                      |
| Protection class         | IP66 / IP68 (5 bar 30 min) |
| Type of protection       | Ex eb, Ex tb               |
| Ex-Certificate           | ATEX, IECEx                |
| Thread type              | M                          |
| Ø Connection thread D    | 20                         |
| Lead                     | 1,5                        |
| Length screw-in thread L | 12 mm                      |
| Ø cable diameter min     | 6 mm                       |
| Ø cable diameter max     | 13 mm                      |
| Ø cable diameter UL      | 7,5 mm - 11,3 mm           |
| Key width SW             | 24 mm                      |
| Collar diameter (E)      | 27 mm                      |
| Total length TL          | 35 mm - 43 mm              |
| Install. torques fitting | 8 N m                      |
| Install. torques cap nut | 8 N m                      |
| Surface                  | Nickel-plated              |
| Order no. nickel-plated  | 10065050                   |
| Type                     | EMSKE-L 20                 |
| Packing unit             | 50                         |
| ETIM-Classification      | EC000441                   |

Your Contact:

WISKA Hoppmann GmbH

Kisdorfer Weg 28 · 24568 Kaltenkirchen · Germany

☎ +49-4191-508-0 · 📠 +49-4191-508-209

contact@wiska.de · www.wiska.com

**Recommended accessories**

|                |          |
|----------------|----------|
| <b>RDE 20</b>  | 10062185 |
| <b>EMMU 20</b> | 10063143 |
| <b>BS 13</b>   | 10064010 |

14.01.2021

Your Contact:

**WISKA Hoppmann GmbH**

Kisdorfer Weg 28 · 24568 Kaltenkirchen · Germany

☎ +49-4191-508-0 · 📠 +49-4191-508-209

contact@wiska.de · www.wiska.com



Your Contact:

**WISKA Hoppmann GmbH**

Kisdorfer Weg 28 · 24568 Kaltenkirchen · Germany

☎ +49-4191-508-0 · 📠 +49-4191-508-209

contact@wiska.de · www.wiska.com