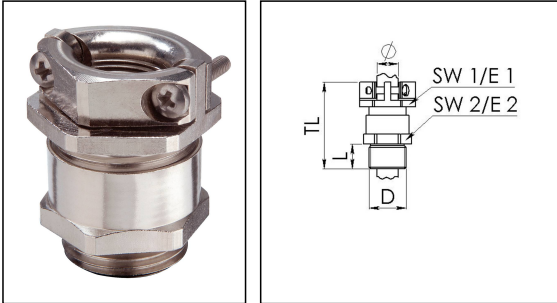


SKMKV 13,5

Cable gland hexagonal, brass nickel-plated, Pg 13,5 with external strain relief



Products may differ in size, colour and appearance to those shown. If you require further information or customisation, please contact us directly.



Material cable gland	Brass nickel-plated
Material sealing gasket	Soft rubber
Temp. range min	-40 °C
Temp. range max	70 °C
Protection class	IP54
Thread type	PG
Ø Connection thread D	13,5
Length screw-in thread L	6,5 mm
Ø cable diameter min	6,5 mm
Ø cable diameter max	13,5 mm
Key width SW1	24 mm
Key width SW2	22 mm
Collar diameter E1	27 mm
Collar diameter E2	24 mm
Total length TL	32 mm
Impact category	6
Surface	Nickel-plated
Order no. nickel-plated	10062134
Type	SKMKV 13,5
Packing unit	50
ETIM-Classification	EC000441

Recommended accessories

Your Contact:

WISKA Hoppmann GmbH

Kisdorfer Weg 28 · 24568 Kaltenkirchen · Germany

☎ +49-4191-508-0 · 📠 +49-4191-508-209

contact@wiska.de · www.wiska.com

14.01.2021

Your Contact:

WISKA Hoppmann GmbH

Kisdorfer Weg 28 · 24568 Kaltenkirchen · Germany

☎ +49-4191-508-0 · 📠 +49-4191-508-209

contact@wiska.de · www.wiska.com



Your Contact:

WISKA Hoppmann GmbH

Kisdorfer Weg 28 · 24568 Kaltenkirchen · Germany

☎ +49-4191-508-0 · 📠 +49-4191-508-209

contact@wiska.de · www.wiska.com