

Door mounted rotary operator standard IEC IP65 with door interlocking accessory for: 3VA55/3VA65/3VA66



## версия

Фирменное название продукта	SENTRON
Наименование продукта	Принадлежности
Исполнение продукта	Поворотный привод с выводом на дверь

## Сертификаты

General Product Approval	Declaration of Conformity	Shipping Approval
--------------------------	---------------------------	-------------------

[Miscellaneous](#)



## Дополнительная информация

**Information- and Downloadcenter (Catalogs, Brochures,...)**

<http://www.siemens.com/lowvoltage/catalogs>

**Industry Mall (Online ordering system)**

<https://eb.automation.siemens.com/mall/en/WW/Catalog/Product/3VA9677-0FK21>

**Service&Support (Manuals, Certificates, Characteristics, FAQs,...)**

<http://support.automation.siemens.com/WW/view/en/3VA9677-0FK21/all>

Image database (product images, 2D dimension drawings, 3D models, device circuit diagrams, ...)

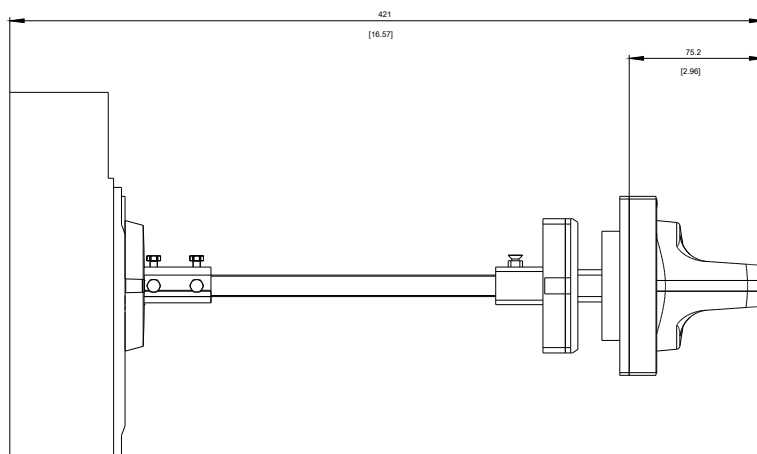
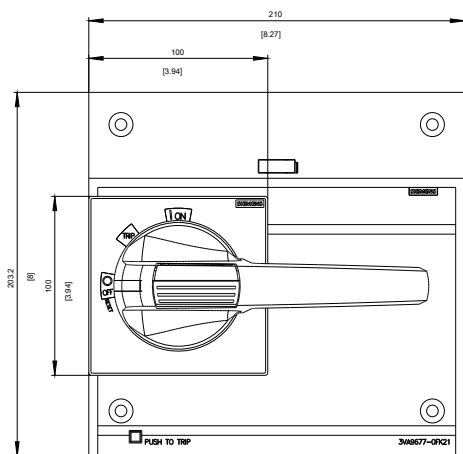
[http://www.automation.siemens.com/bilddb/cax\\_en.aspx?mlfb=3VA9677-0FK21](http://www.automation.siemens.com/bilddb/cax_en.aspx?mlfb=3VA9677-0FK21)

CAx-Online-Generator

<http://www.siemens.com/cax>

Tender specifications

<http://www.siemens.com/specifications>



последнее изменение:

31.07.2020