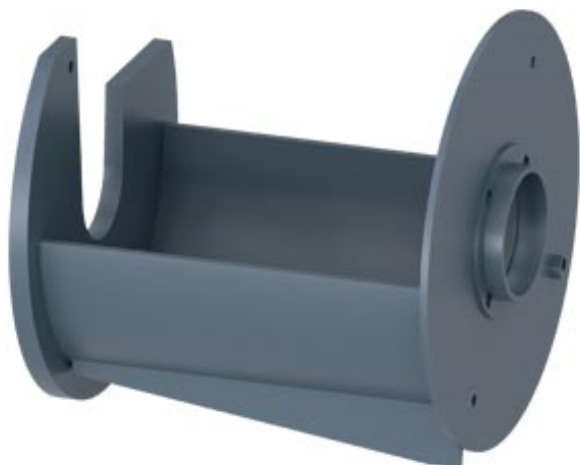


retaining bracket accessory for: 3VA1 400/630 3VA2  
100/160/250/400/630



## версия

Фирменное название продукта	SENTRON
Наименование продукта	Принадлежности
Исполнение продукта	Хомут

## Механическая конструкция

Глубина	67 mm
вес-нетто	40 g

## Сертификаты

General Product Approval	EMC	Declaration of Conformity	Test Certificates	Shipping Approval
<a href="#">Miscellaneous</a> 	 RCM	 EG-Konf.	<a href="#">Type Test Certificates/Test Report</a>	 LRS

other	
<a href="#">Manufacturer Declaration</a>	<a href="#">Miscellaneous</a>

### Дополнительная информация

**Information- and Downloadcenter (Catalogs, Brochures,...)**

<http://www.siemens.com/lowvoltage/catalogs>

**Industry Mall (Online ordering system)**

<https://eb.automation.siemens.com/mall/en/WW/Catalog/Product/3VA9487-0GA80>

**Service&Support (Manuals, Certificates, Characteristics, FAQs,...)**

<http://support.automation.siemens.com/WW/view/en/3VA9487-0GA80/all>

**Image database (product images, 2D dimension drawings, 3D models, device circuit diagrams, ...)**

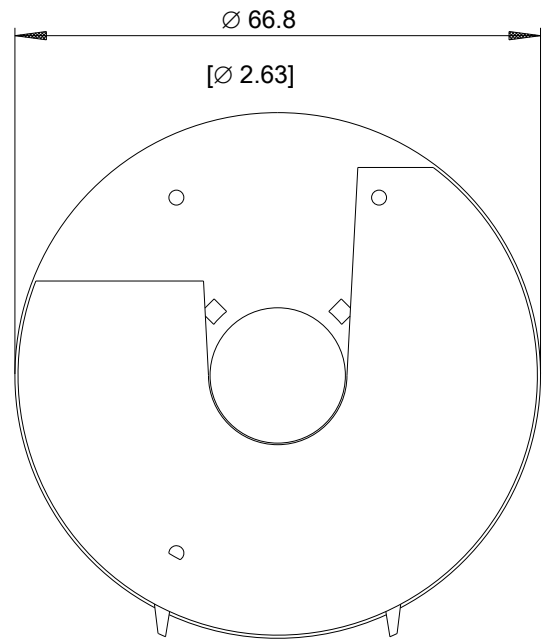
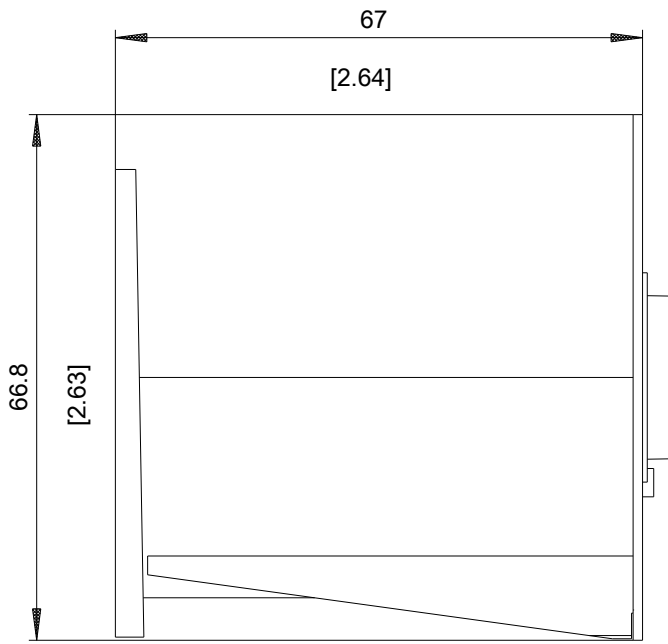
[http://www.automation.siemens.com/bilddb/cax\\_en.aspx?mlfb=3VA9487-0GA80](http://www.automation.siemens.com/bilddb/cax_en.aspx?mlfb=3VA9487-0GA80)

**CAX-Online-Generator**

<http://www.siemens.com/cax>

**Tender specifications**

<http://www.siemens.com/specifications>



последнее изменение:

29.08.2020