

REAR INSULATINGPLATE OFFSET 4 POLE 1 PCS. ACCESSORY  
FOR: 3VA5/6 400/600



## Дополнительная информация

### Information- and Downloadcenter (Catalogs, Brochures,...)

<http://www.siemens.com/lowvoltage/catalogs>

### Industry Mall (Online ordering system)

<https://eb.automation.siemens.com/mall/en/WW/Catalog/Product/3VA9471-0WK40>

### Service&Support (Manuals, Certificates, Characteristics, FAQs,...)

<http://support.automation.siemens.com/WW/view/en/3VA9471-0WK40/all>

### Image database (product images, 2D dimension drawings, 3D models, device circuit diagrams, ...)

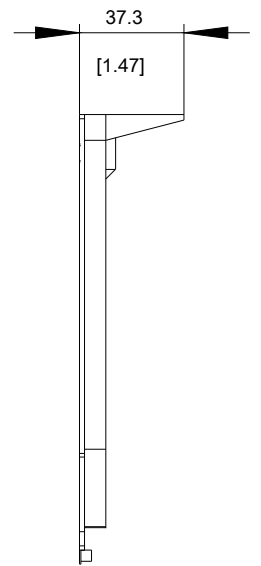
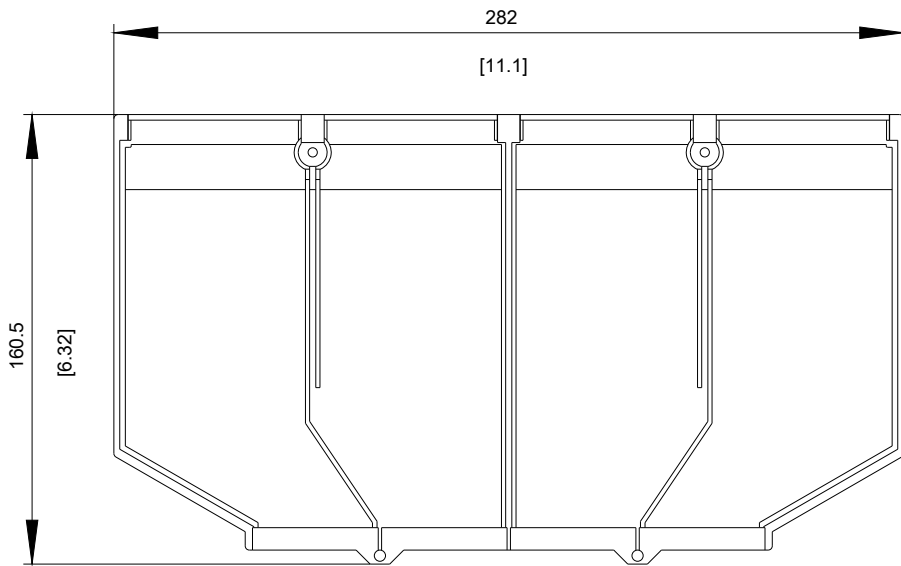
[http://www.automation.siemens.com/bilddb/cax\\_en.aspx?mlfb=3VA9471-0WK40](http://www.automation.siemens.com/bilddb/cax_en.aspx?mlfb=3VA9471-0WK40)

### CAX-Online-Generator

<http://www.siemens.com/cax>

### Tender specifications

<http://www.siemens.com/specifications>



последнее изменение:

18.07.2020