

side wall mounted rot. operator emergency-off IEC IP65 24V DC
lighting kit accessory for: 3VA1 250







версия

Фирменное название продукта	SENTRON
Наименование продукта	Принадлежности
Исполнение продукта	Поворотный привод на боковой стенке

Механическая конструкция

Характеристика продукта/ интерфейс LAN	75 mm
вес-нетто	688 g

Сертификаты

General Product Approval	EMC	Declaration of Conformity	Test Certificates	Shipping Approval
Miscellaneous 	 RCM	 EG-Konf.	Type Test Certificates/Test Report	 LRS

other	
Manufacturer Declaration	Miscellaneous

Дополнительная информация

Information- and Downloadcenter (Catalogs, Brochures,...)

<http://www.siemens.com/lowvoltage/catalogs>

Industry Mall (Online ordering system)

<https://eb.automation.siemens.com/mall/en/WW/Catalog/Product/3VA9257-0PK17>

Service&Support (Manuals, Certificates, Characteristics, FAQs,...)

<http://support.automation.siemens.com/WW/view/en/3VA9257-0PK17/all>

Image database (product images, 2D dimension drawings, 3D models, device circuit diagrams, ...)

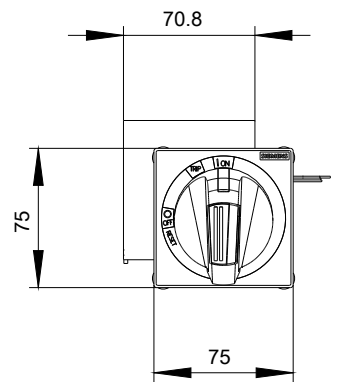
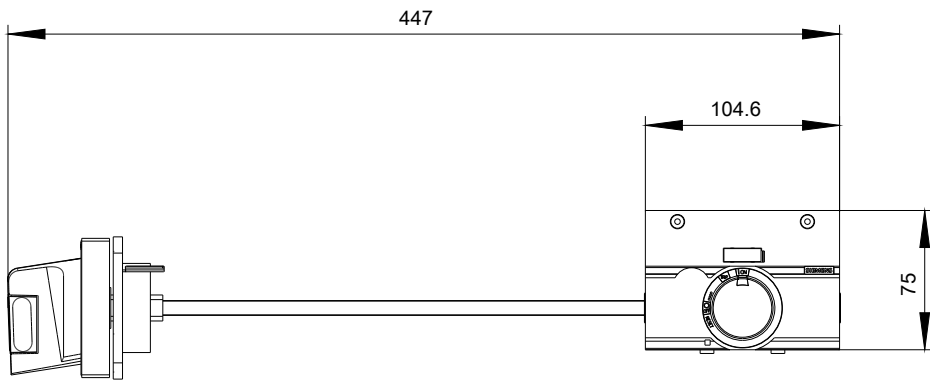
http://www.automation.siemens.com/bilddb/cax_en.aspx?mlfb=3VA9257-0PK17

CAX-Online-Generator

<http://www.siemens.com/cax>

Tender specifications

<http://www.siemens.com/specifications>



последнее изменение:

31.07.2020