

control wire tap for nut keeper kit 10 accessory for: 3VA1 100/160  
3VA2 100/160/250



## Дополнительная информация

**Information- and Downloadcenter (Catalogs, Brochures,...)**

<http://www.siemens.com/lowvoltage/catalogs>

**Industry Mall (Online ordering system)**

<https://eb.automation.siemens.com/mall/en/WW/Catalog/Product/3VA9200-0WC00>

**Service&Support (Manuals, Certificates, Characteristics, FAQs,...)**

<http://support.automation.siemens.com/WW/view/en/3VA9200-0WC00/all>

**Image database (product images, 2D dimension drawings, 3D models, device circuit diagrams, ...)**

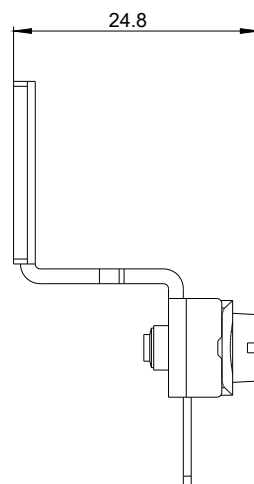
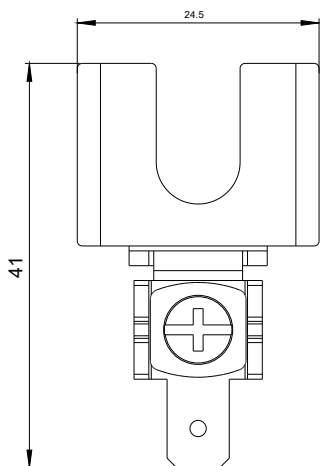
[http://www.automation.siemens.com/bilddb/cax\\_en.aspx?mlfb=3VA9200-0WC00](http://www.automation.siemens.com/bilddb/cax_en.aspx?mlfb=3VA9200-0WC00)

**CAX-Online-Generator**

<http://www.siemens.com/cax>

**Tender specifications**

<http://www.siemens.com/specifications>



последнее изменение:

18.07.2020