

module for Bowden cable sliding bar accessory for: 3VA5 125



версия

Фирменное название продукта

SENTRON

Наименование продукта

Принадлежности

Механическая конструкция

вес-нетто

196 g

Сертификаты

| | | |
|--------------------------|-----|---------------------------|
| General Product Approval | EMC | Declaration of Conformity |
|--------------------------|-----|---------------------------|



[Miscellaneous](#)



| | |
|-------------------|-------|
| Shipping Approval | other |
|-------------------|-------|



LRS

[Manufacturer Declaration](#)

[Miscellaneous](#)

Дополнительная информация

Information- and Downloadcenter (Catalogs, Brochures,...)

<http://www.siemens.com/lowvoltage/catalogs>

Industry Mall (Online ordering system)

<https://eb.automation.siemens.com/mall/en/WW/Catalog/Product/3VA9137-0VF10>

Service&Support (Manuals, Certificates, Characteristics, FAQs,...)

<http://support.automation.siemens.com/WW/view/en/3VA9137-0VF10/all>

Image database (product images, 2D dimension drawings, 3D models, device circuit diagrams, ...)

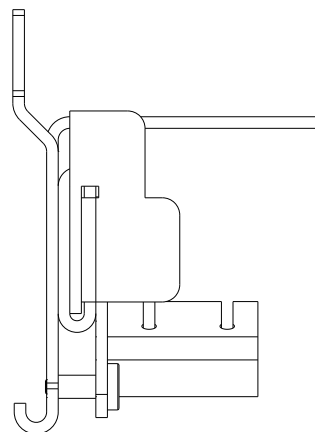
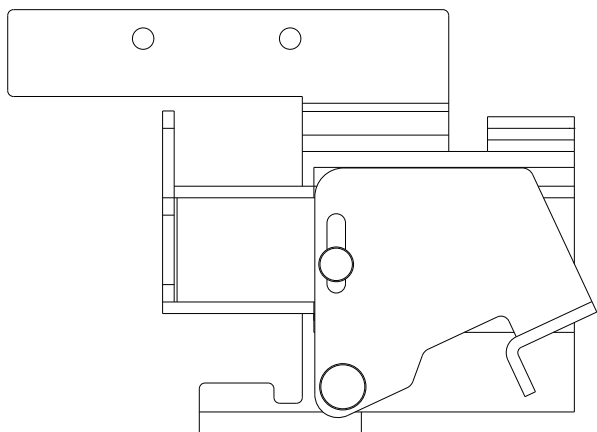
http://www.automation.siemens.com/bilddb/cax_en.aspx?mfb=3VA9137-0VF10

CAX-Online-Generator

<http://www.siemens.com/cax>

Tender specifications

<http://www.siemens.com/specifications>



последнее изменение:

18.07.2020