

plug-in unit conversion kit for MCCB accessory for: circuit breaker, 3-pole 3VA2 100/160/250







версия

Фирменное название продукта	SENTRON
Наименование продукта	Принадлежности
Исполнение продукта	Сменный блок

Механическая конструкция

вес-нетто	488 g
-----------	-------

Сертификаты

General Product Approval	EMC	Declaration of Conformity	Shipping Approval	other
Miscellaneous 	 RCM	 EG-Konf.	 LRS	Manufacturer Declaration

other
Miscellaneous

Дополнительная информация

Information- and Downloadcenter (Catalogs, Brochures,...)

<http://www.siemens.com/lowvoltage/catalogs>

Industry Mall (Online ordering system)

<https://eb.automation.siemens.com/mall/en/WW/Catalog/Product/3VA9123-0KP10>

Service&Support (Manuals, Certificates, Characteristics, FAQs,...)

<http://support.automation.siemens.com/WW/view/en/3VA9123-0KP10/all>

Image database (product images, 2D dimension drawings, 3D models, device circuit diagrams, ...)

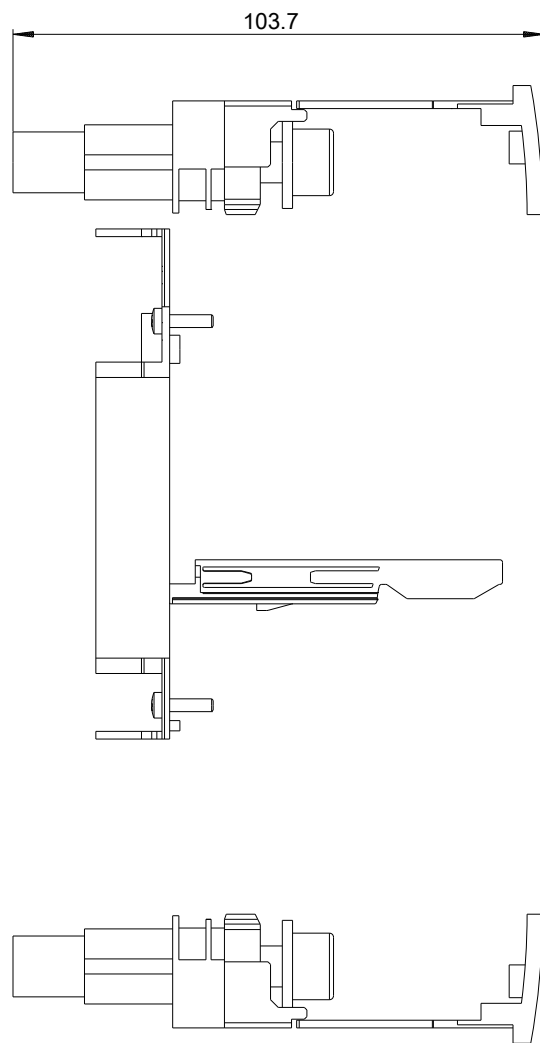
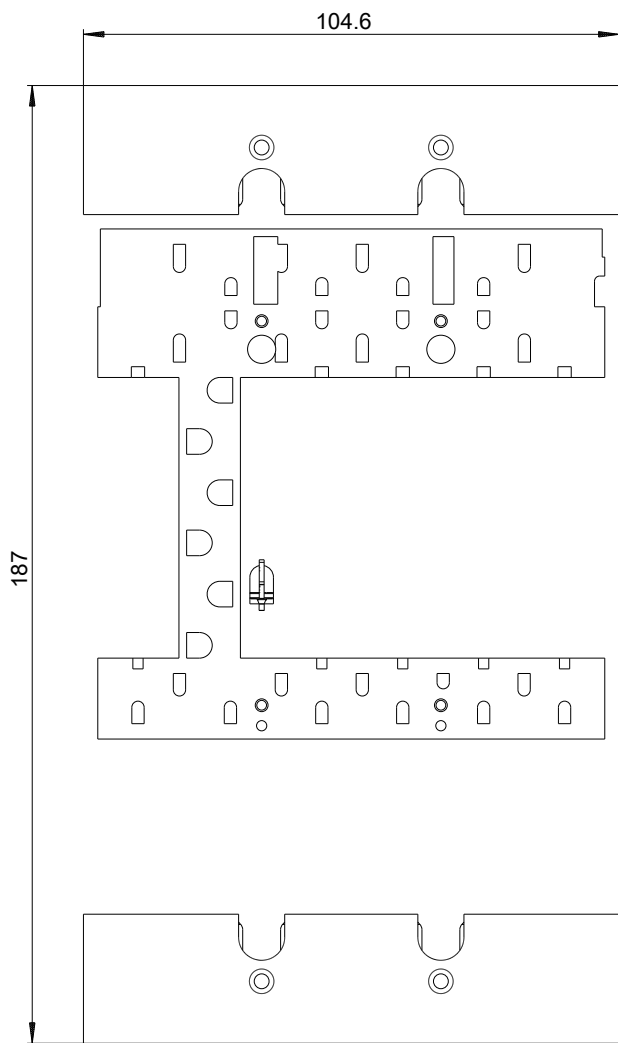
http://www.automation.siemens.com/bilddb/cax_en.aspx?mlfb=3VA9123-0KP10

CAX-Online-Generator

<http://www.siemens.com/cax>

Tender specifications

<http://www.siemens.com/specifications>



последнее изменение:

06.07.2020