

supplementary handle for door mounted rotary operator
EMERGENCY-OFF accessory for: 3VA55/3VA65/3VA66



Versão

nome da marca do produto	SETRON
designação do produto	Acessórios
execução do produto	Punho adicional para acionamento rotativo da porta

Certificados

General Product Approval	Declaration of Conformity	Shipping Approval
--------------------------	---------------------------	-------------------

[Miscellaneous](#)



Outras informações

Information- and Downloadcenter (Catalogs, Brochures,...)

<http://www.siemens.com/lowvoltage/catalogs>

Industry Mall (Online ordering system)

<https://eb.automation.siemens.com/mall/en/WW/Catalog/Product/3VA9677-0GC05>

Service&Support (Manuals, Certificates, Characteristics, FAQs,...)

<http://support.automation.siemens.com/WW/view/en/3VA9677-0GC05/all>

Image database (product images, 2D dimension drawings, 3D models, device circuit diagrams, ...)

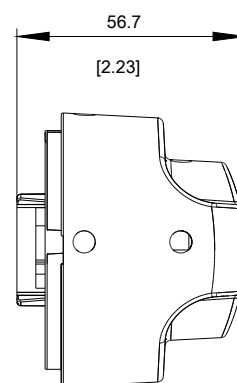
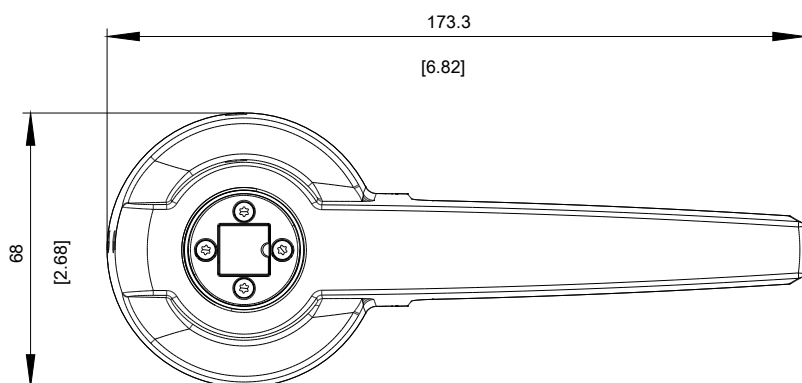
http://www.automation.siemens.com/bilddb/cax_en.aspx?mlfb=3VA9677-0GC05

CAx-Online-Generator

<http://www.siemens.com/cax>

Tender specifications

<http://www.siemens.com/specifications>



última alteração:

29-08-2020