

Door mounted rotary operator standard IEC IP65 with door interlocking accessory for: 3VA55/3VA65/3VA66



Versão

nome da marca do produto	SETRON
designação do produto	Acessórios
execução do produto	Acionamento giratório do acoplamento da porta

Certificados

General Product Approval	Declaration of Conformity	Shipping Approval
---------------------------------	----------------------------------	--------------------------

[Miscellaneous](#)



Outras informações

Information- and Downloadcenter (Catalogs, Brochures,...)

<http://www.siemens.com/lowvoltage/catalogs>

Industry Mall (Online ordering system)

<https://eb.automation.siemens.com/mall/en/WW/Catalog/Product/3VA9677-0FK21>

Service&Support (Manuals, Certificates, Characteristics, FAQs,...)

<http://support.automation.siemens.com/WW/view/en/3VA9677-0FK21/all>

Image database (product images, 2D dimension drawings, 3D models, device circuit diagrams, ...)

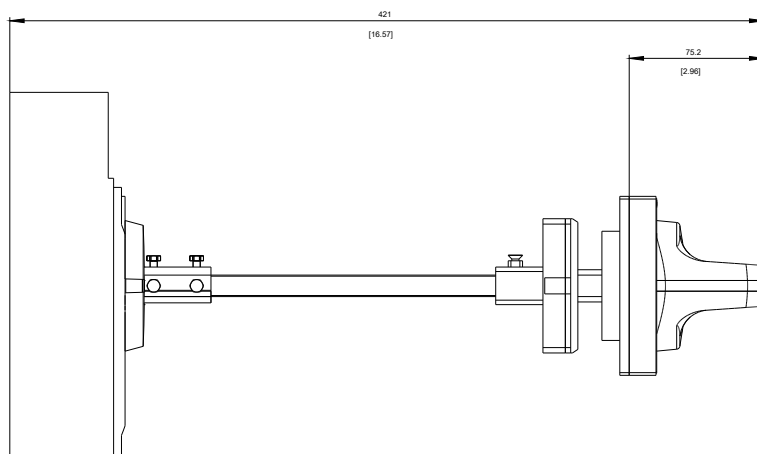
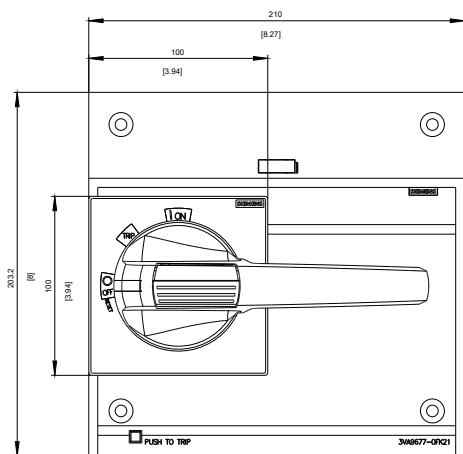
http://www.automation.siemens.com/bilddb/cax_en.aspx?mlfb=3VA9677-0FK21

CAx-Online-Generator

<http://www.siemens.com/cax>

Tender specifications

<http://www.siemens.com/specifications>



última alteração:

08-08-2020