

front mounted rotary operator standard IEC IP30/40 accessory for:
3VA1 100/160




Versão

nome da marca do produto	SETRON
designação do produto	Acessórios
execução do produto	Acionamento rotativo frontal

Projeto mecânico

Altura	70 mm
Largura	77 mm
profundidade	95 mm
peso líquido	203 g

Certificados

General Product Approval	EMC	Declaration of Conformity	Test Certificates
 VDE	Miscellaneous 	 RCM	 EG-Konf.

[Type Test Certificates/Test Report](#)

Shipping Approval	other
-------------------	-------



LRS

[Manufacturer Declaration](#)

[Miscellaneous](#)

Outras informações

Information- and Downloadcenter (Catalogs, Brochures,...)

<http://www.siemens.com/lowvoltage/catalogs>

Industry Mall (Online ordering system)

<https://eb.automation.siemens.com/mall/en/WW/Catalog/Product/3VA9157-0EK11>

Service&Support (Manuals, Certificates, Characteristics, FAQs,...)

<http://support.automation.siemens.com/WW/view/en/3VA9157-0EK11/all>

Image database (product images, 2D dimension drawings, 3D models, device circuit diagrams, ...)

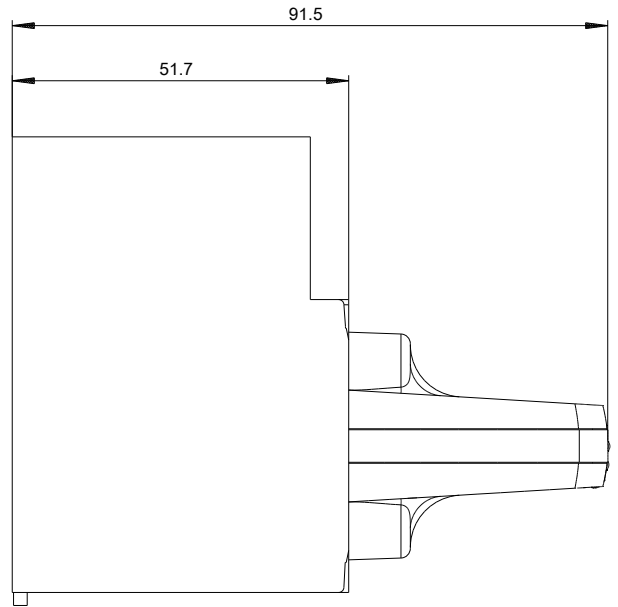
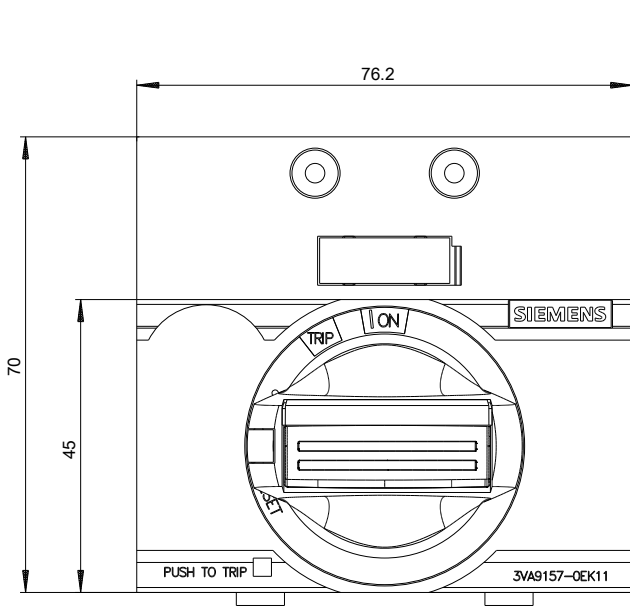
http://www.automation.siemens.com/bilddb/cax_en.aspx?mfb=3VA9157-0EK11

CAX-Online-Generator

<http://www.siemens.com/cax>

Tender specifications

<http://www.siemens.com/specifications>



última alteração:

08-08-2020