

Plug-in relay complete unit 1 W, 230 V AC LED module red Socket with logic isolation screw terminal



product brand name	SIRIUS
product designation	Coupling relay with plug-in relay
product type designation	LZS

General technical data	
display version LED	Yes
Percental drop-out voltage related to the input voltage	15 %
<ul style="list-style-type: none"> • protection class IP 	IP20
Operating frequency without load	360 1/h
Operating frequency with load	36 000 1/h
switching behavior	monostable
design of the switching function	changeover switch
Design of the switching function positively driven	No
<ul style="list-style-type: none"> • mechanical service life (switching cycles) typical 	10 000 000
<ul style="list-style-type: none"> • Electrical endurance (switching cycles) at AC-15 at 230 V typical 	600 000
thermal current	16 A
reference code acc. to DIN EN 81346-2	K

Control circuit/ Control	
<ul style="list-style-type: none"> Control supply voltage at AC at 50 Hz rated value 	230 V
<ul style="list-style-type: none"> Control supply voltage at AC at 60 Hz rated value 	230 V
control supply voltage frequency	
<ul style="list-style-type: none"> 1 rated value 	50 Hz
<ul style="list-style-type: none"> 2 rated value 	60 Hz
supply voltage frequency for auxiliary and control current circuit rated value	50 ... 60 Hz
operating range factor control supply voltage rated value at AC at 50 Hz	
<ul style="list-style-type: none"> initial value 	0.9
<ul style="list-style-type: none"> full-scale value 	1.1
operating range factor control supply voltage rated value at AC at 60 Hz	
<ul style="list-style-type: none"> initial value 	0.9
<ul style="list-style-type: none"> full-scale value 	1.1
Design of the relay operating mechanism	poled
Product component Plug-in socket	Yes
Design of the snap-on socket base	Socket with logic isolation

Short-circuit protection	
<ul style="list-style-type: none"> design of the fuse link for short-circuit protection of the auxiliary switch required 	fuse gG: 10 A

Auxiliary circuit	
type of switching contact	Changeover contact
Material of switching contacts	AgNi 90/10
<ul style="list-style-type: none"> number of NC contacts for auxiliary contacts 	0
<ul style="list-style-type: none"> number of NO contacts for auxiliary contacts 	0
<ul style="list-style-type: none"> number of CO contacts for auxiliary contacts 	1

Main circuit	
type of voltage	AC

Display	
<ul style="list-style-type: none"> display version as status display by LED 	LED red

Connections/ Terminals	
<ul style="list-style-type: none"> Product function removable terminal 	No
<ul style="list-style-type: none"> type of electrical connection 	screw-type terminals
<ul style="list-style-type: none"> type of connectable conductor cross-sections solid 	1x (1,0 ... 2,5), 2x 1,0, 2x 1,5, 2x 2,5
<ul style="list-style-type: none"> Type of connectable conductor cross-sections finely stranded with core end processing 	1x (1.0 ... 1.5), 2x 1.0, 2x 1.5

<ul style="list-style-type: none"> Type of connectable conductor cross-sections at AWG conductors solid 	1x (18 ... 14), 2x 18, 2x 16, 2x 14
<ul style="list-style-type: none"> connectable conductor cross-section solid 	1 ... 2.5 mm ²
<ul style="list-style-type: none"> connectable conductor cross-section finely stranded with core end processing 	1 ... 1.5 mm ²
AWG number as coded connectable conductor cross section	
<ul style="list-style-type: none"> solid 	18 ... 14
<ul style="list-style-type: none"> tightening torque with screw-type terminals 	0.5 ... 0.7 N·m




Installation/ mounting/ dimensions

<ul style="list-style-type: none"> mounting position 	any
<ul style="list-style-type: none"> mounting type 	snap-on mounting
height	77 mm
width	15.5 mm
depth	71 mm

Ambient conditions

<ul style="list-style-type: none"> ambient temperature during operation 	-40 ... +70 °C
<ul style="list-style-type: none"> ambient temperature during storage 	-20 ... +70 °C
<ul style="list-style-type: none"> ambient temperature during transport 	-20 ... +70 °C

Certificates/ approvals

General Product Approval	Declaration of Conformity	other
 VDE	 EAC	 EG-Konf.
		Miscellaneous
		Confirmation

Further information

Information- and Downloadcenter (Catalogs, Brochures,...)

<https://www.siemens.com/ic10>

Industry Mall (Online ordering system)

<https://mall.industry.siemens.com/mall/en/en/Catalog/product?mlfb=LZS:RT3B4T30>

Cax online generator

<http://support.automation.siemens.com/WW/CAXorder/default.aspx?lang=en&mlfb=LZS:RT3B4T30>

Service&Support (Manuals, Certificates, Characteristics, FAQs,...)

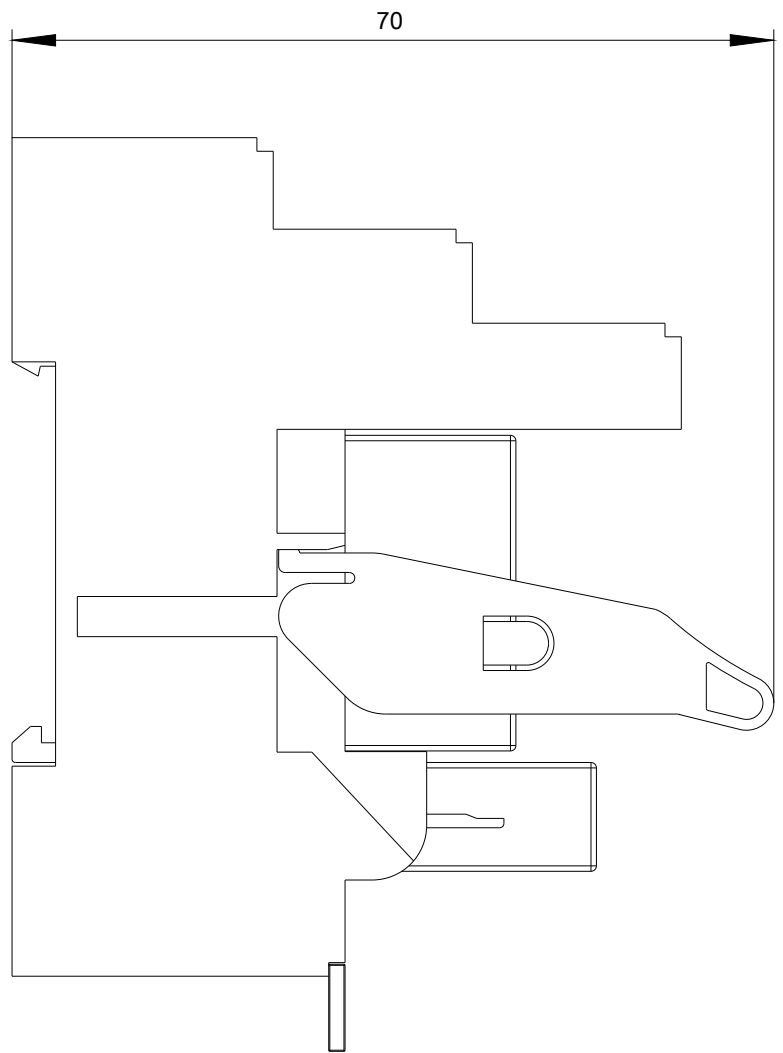
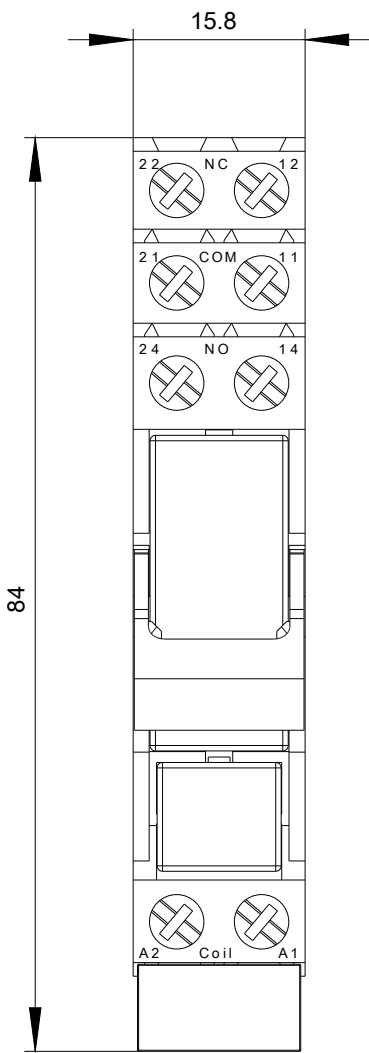
<https://support.industry.siemens.com/cs/ww/en/ps/LZS:RT3B4T30>

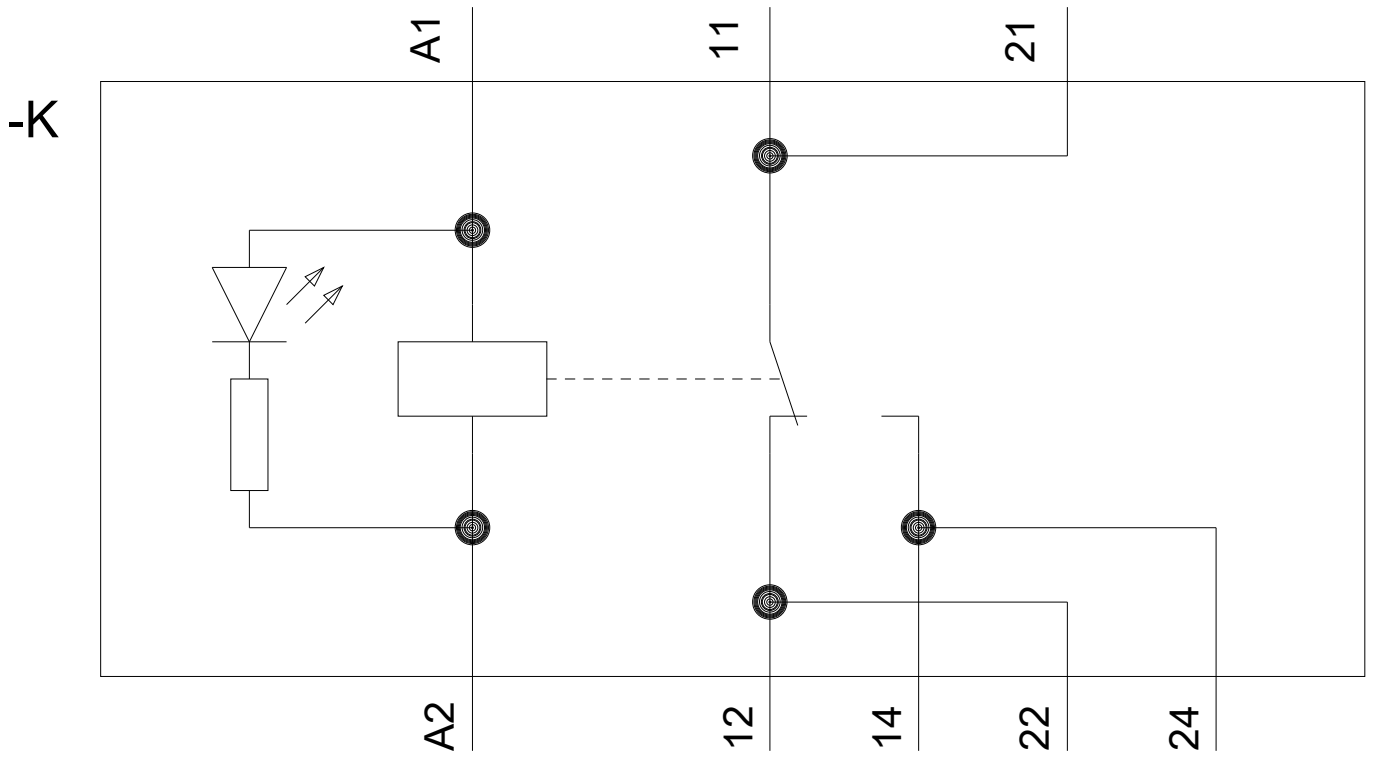
Image database (product images, 2D dimension drawings, 3D models, device circuit diagrams, EPLAN macros, ...)

http://www.automation.siemens.com/bilddb/cax_de.aspx?mlfb=LZS:RT3B4T30&lang=en

Characteristic: Derating

<https://support.industry.siemens.com/cs/ww/en/ps/LZS:RT3B4T30/manual>





last modified:

08/14/2020