

LED module, red for plug-in relay, PT and RT series, for 24 V AC/DC without freewheeling diode



### General technical data

|   |      |
|---|------|
| display version LED   | Yes  |
| <ul style="list-style-type: none"> <li>• protection class IP</li> </ul> | IP00 |
| Design of the switching function positively driven                      | No   |
| reference code acc. to DIN EN 81346-2                                   | P    |

### Control circuit/ Control

|   |              |
|---|--------------|
| <ul style="list-style-type: none"> <li>• Control supply voltage at AC at 50 Hz rated value</li> </ul> | 24 V         |
| <ul style="list-style-type: none"> <li>• Control supply voltage at AC at 60 Hz rated value</li> </ul> | 24 V         |
| control supply voltage frequency  |              |
| <ul style="list-style-type: none"> <li>• 1 rated value</li> </ul>                                     | 50 Hz        |
| <ul style="list-style-type: none"> <li>• 2 rated value</li> </ul>                                     | 60 Hz        |
| control supply voltage at DC  |              |
| <ul style="list-style-type: none"> <li>• rated value</li> </ul>                                       | 24 V         |
| supply voltage frequency for auxiliary and control current circuit rated value                        | 50 ... 60 Hz |
| Product component Plug-in socket  | No           |

## Auxiliary circuit

- |  |   |
|--|---|
| • number of NC contacts for auxiliary contacts | 0 |
| • number of NO contacts for auxiliary contacts | 0 |
| • number of CO contacts for auxiliary contacts | 0 |

## Main circuit

|                 |       |
|-----------------|-------|
| type of voltage | AC/DC |
|-----------------|-------|

## Display

- |  |         |
|--|---------|
| • display version as status display by LED | LED red |
|--|---------|

## Connections/ Terminals

- |                                       |    |
|---------------------------------------|----|
| • Product function removable terminal | No |
|---------------------------------------|----|

## Installation/ mounting/ dimensions

- |                     |         |
|---------------------|---------|
| • mounting position | any     |
| height              | 10.5 mm |
| width               | 11.4 mm |
| depth               | 32 mm   |

## Ambient conditions

- |  |                |
|--|----------------|
| • ambient temperature during storage   | -25 ... +70 °C |
| • ambient temperature during transport | -25 ... +70 °C |

## Certificates/ approvals

### General Product Approval



### Declaration of Conformity

[Miscellaneous](#)

### other

[Confirmation](#)

## Further information

### Information- and Downloadcenter (Catalogs, Brochures,...)

<https://www.siemens.com/ic10>

### Industry Mall (Online ordering system)

<https://mall.industry.siemens.com/mall/en/en/Catalog/product?mlfb=LZS:PTML0524>

### Cax online generator

<http://support.automation.siemens.com/WW/CAXorder/default.aspx?lang=en&mlfb=LZS:PTML0524>

### Service&Support (Manuals, Certificates, Characteristics, FAQs,...)

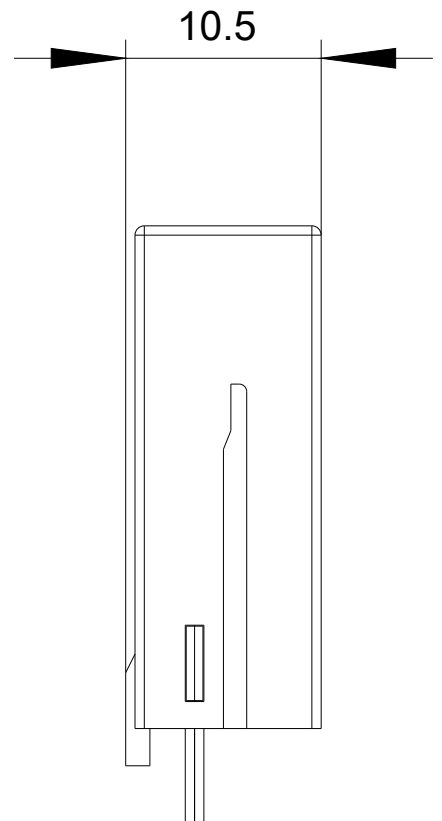
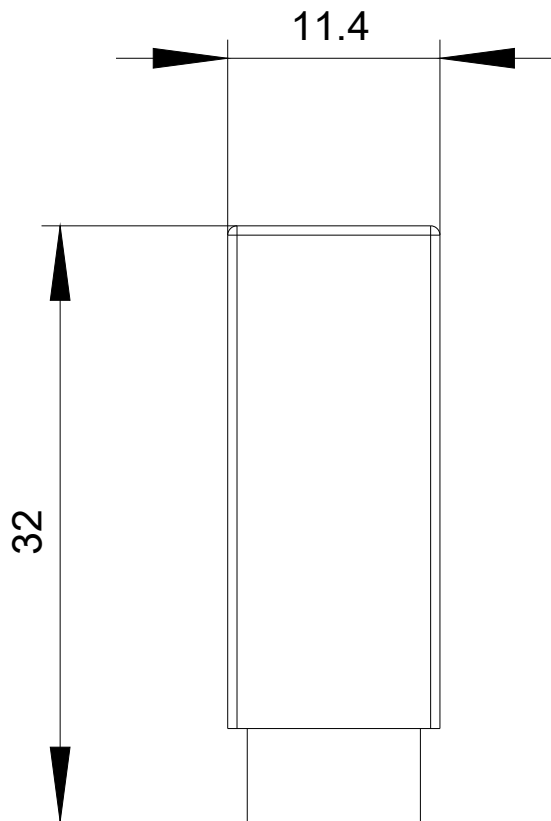
<https://support.industry.siemens.com/cs/ww/en/ps/LZS:PTML0524>

### Image database (product images, 2D dimension drawings, 3D models, device circuit diagrams, EPLAN macros, ...)

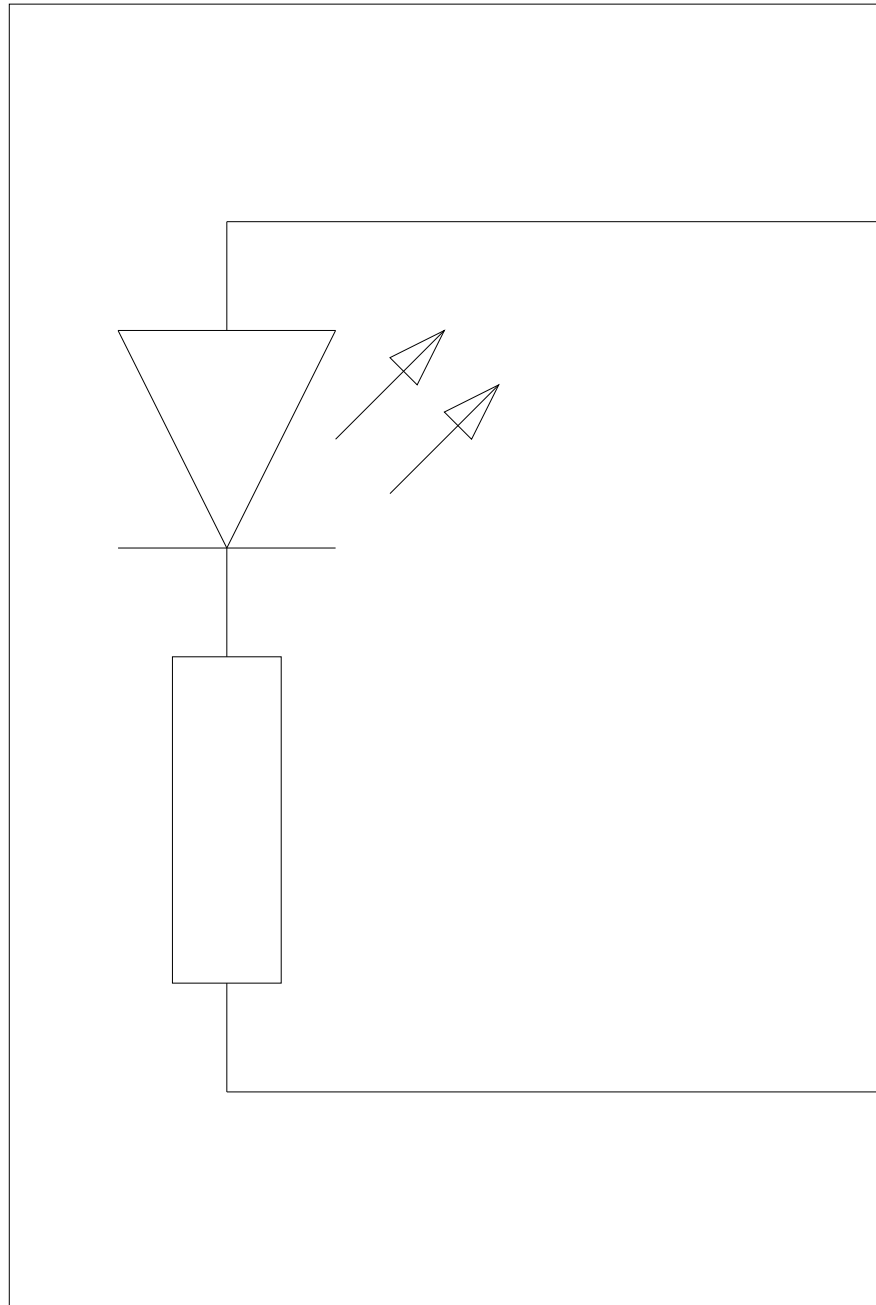
[http://www.automation.siemens.com/bilddb/cax\\_de.aspx?mlfb=LZS:PTML0524&lang=en](http://www.automation.siemens.com/bilddb/cax_de.aspx?mlfb=LZS:PTML0524&lang=en)

### Characteristic: Derating

<https://support.industry.siemens.com/cs/ww/en/ps/LZS:PTML0524/manual>



-P



last modified:

08/18/2020