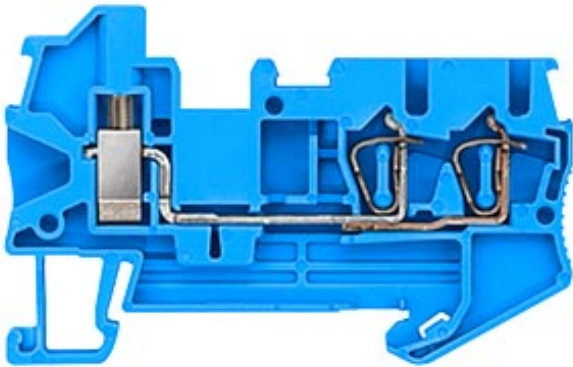


Hybrid through-type terminal Screw and 2x spring-loaded connection  
 Cross-section: 0.08-2.5 mm<sup>2</sup>, Width: 5.2mm, Color: blue



Model	
product brand name	ALPHA
Product designation	ALPHA FIX terminal blocks
Design of terminal / Terminal levels internally linked	No
General technical data	
Terminal contact spacing	5.2 mm
Operating voltage / rated value	800 V
Protection class	
Combustibility class acc. to UL 94	V0
Main circuit	
Operating current / rated value	28 A
Appearance	
Color	blue
Product details	
Product component / required / connection plate	No
Number	

Number of terminal levels	1
Number of terminal points / per terminal level	3

### Connections

Wire stripping length	10 mm
connectable conductor cross-section / solid	
• minimum	4 mm <sup>2</sup>
• maximum	4 mm <sup>2</sup>
Connectable conductor cross-section / stranded	
• minimum	4 mm <sup>2</sup>
• maximum	4 mm <sup>2</sup>
connectable conductor cross-section / finely stranded	
• with core end processing / minimum	2.5 mm <sup>2</sup>
• with core end processing / maximum	2.5 mm <sup>2</sup>
• without core end processing / minimum	2.5 mm <sup>2</sup>
• without core end processing / maximum	2.5 mm <sup>2</sup>
Type of electrical connection	
• 1	spring-loaded terminal
• 2	screw-type terminal
Position / of the terminal	top

### Mechanical Design

Mounting type	DIN rail 35 mm
net weight	9 g
Material / of the insulating body	Other

### Environmental conditions

Ambient temperature / during operation	
• minimum	-25 °C
• maximum	55 °C

### Certificates

Design tested acc. to type of protection / EEx e	No
--	----

<b>General Product Approval</b>	<b>Declaration of Con- formity</b>	<b>other</b>
---------------------------------	--	--------------



[Miscellaneous](#)

### Further information

**Information- and Downloadcenter (Catalogs, Brochures,...)**

<http://www.siemens.com/lowvoltage/catalogs>

**Industry Mall (Online ordering system)**

<https://mall.industry.siemens.com/mall/en/en/Catalog/product?mfb=8WH2103-2BF01>

**Service&Support (Manuals, Certificates, Characteristics, FAQs,...)**

<https://support.industry.siemens.com/cs/ww/en/ps/8WH2103-2BF01>

**Image database (product images, 2D dimension drawings, 3D models, device circuit diagrams, ...)**

[http://www.automation.siemens.com/bilddb/cax\\_en.aspx?mlfb=8WH2103-2BF01](http://www.automation.siemens.com/bilddb/cax_en.aspx?mlfb=8WH2103-2BF01)

**CAX-Online-Generator**

<http://www.siemens.com/cax>

**Tender specifications**

<http://www.siemens.com/specifications>