

Integrated signal lamp, repeated flash light, with integrated LED, red, 24 V AC/DC, Diameter 70 mm







General technical data	
Product designation	Repeated-flash light element
Consumed current maximum	45 mA
Type of voltage	AC/DC
<ul style="list-style-type: none"> of the operating voltage 	
Operating voltage	
<ul style="list-style-type: none"> 1 at DC rated value 1 at AC at 50 Hz rated value 1 at AC at 60 Hz rated value 	24 V 24 V 24 V
Relative positive tolerance of the operating voltage	10 %
Relative negative tolerance of the operating voltage	-10 %
Reference code	P
<ul style="list-style-type: none"> acc. to DIN EN 81346-2 	
Mounting type	Bayonet / flush mounting
Material	PC; PC/ABS; PA
Color	red
Mechanical data	
Product component Light source	Yes

Type of electrical connection	screw-type terminals
Outer diameter of the signal column element	75 mm

Lamp	
Design of the optical signal	blinklight
Type of light source	LED
Light intensity	1.38 cd
Flash frequency	1 Hz
Service life of LED	100 000 h

Ambient conditions	
Ambient temperature during operation	-20 ... +50 °C
Protection class IP	IP65
Depth	31 mm
Height	66 mm
Width	75 mm

Certificates/ approvals

General Product Approval	EMC	Declaration of Conformity	other
 UL	 EAC	 RCM	 EG-Konf.
		Miscellaneous	Confirmation

Further information

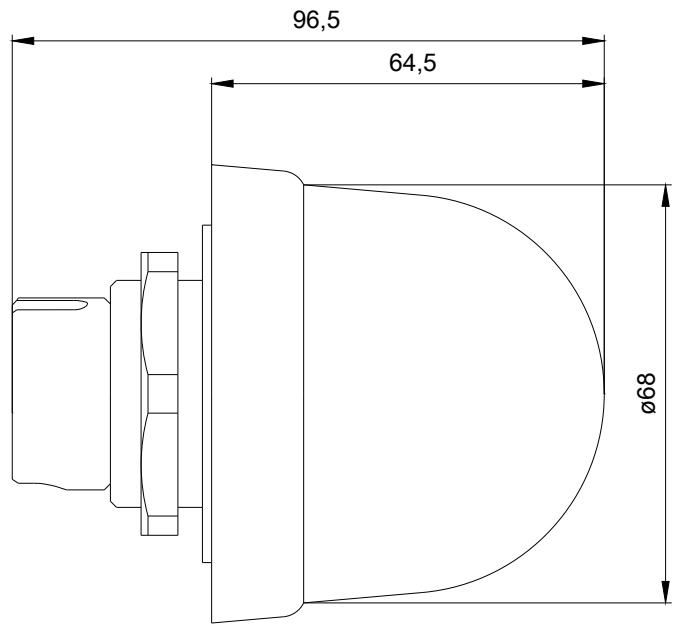
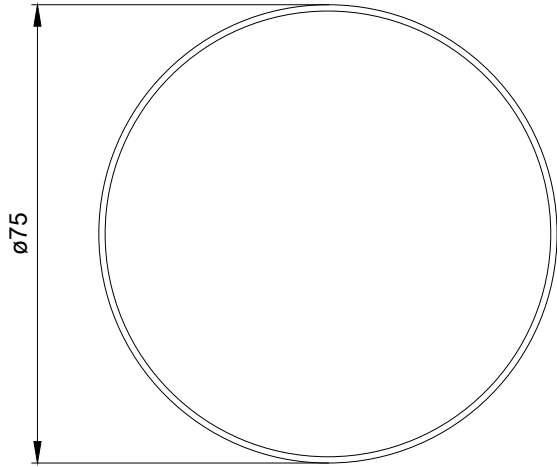
Information- and Downloadcenter (Catalogs, Brochures,...)
<https://www.siemens.com/ic10>

Industry Mall (Online ordering system)
<https://mall.industry.siemens.com/mall/en/en/Catalog/product?mlfb=8WD5320-5BB>

Cax online generator
<http://support.automation.siemens.com/WW/CAXorder/default.aspx?lang=en&mlfb=8WD5320-5BB>

Service&Support (Manuals, Certificates, Characteristics, FAQs,...)
<https://support.industry.siemens.com/cs/ww/en/ps/8WD5320-5BB>

Image database (product images, 2D dimension drawings, 3D models, device circuit diagrams, EPLAN macros, ...)
http://www.automation.siemens.com/bilddb/cax_de.aspx?mlfb=8WD5320-5BB&lang=en



SIEMENS

last modified:

05/15/2020