

foot individually, plastic, for pipe mounting, accessory for signaling columns, with diameter 70 mm



General technical data	
Product brand name	SIRIUS
Product designation	Foot for mounting on pipes
Material	PA
Color	black
Mounting type	floor mounting
Reference code	
• acc. to DIN EN 61346-2	U
• acc. to DIN EN 81346-2	U
Ambient conditions	
Ambient temperature during operation	-20 ... +50 °C
Height	37 mm
Width	70 mm
Certificates/ approvals	

General Product Approval**EMC****Shipping Approval****other**

[Confirmation](#)

Further information**Information- and Downloadcenter (Catalogs, Brochures,...)**

www.siemens.com/sirius/catalogs

Industry Mall (Online ordering system)

<https://mall.industry.siemens.com/mall/en/en/Catalog/product?mlfb=8WD4308-0DB>

Cax online generator

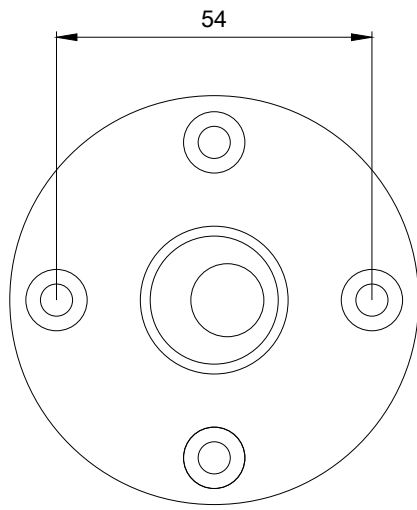
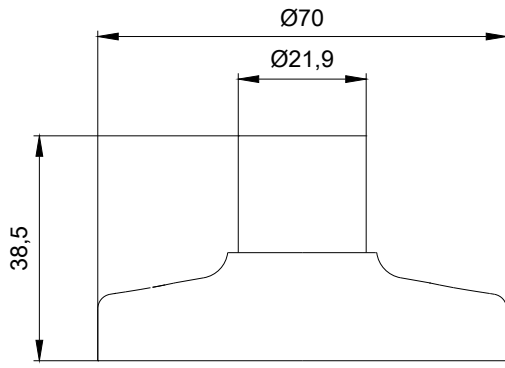
<http://support.automation.siemens.com/WW/CAXorder/default.aspx?lang=en&mlfb=8WD4308-0DB>

Service&Support (Manuals, Certificates, Characteristics, FAQs,...)

<https://support.industry.siemens.com/cs/ww/en/ps/8WD4308-0DB>

Image database (product images, 2D dimension drawings, 3D models, device circuit diagrams, EPLAN macros, ...)

http://www.automation.siemens.com/bilddb/cax_de.aspx?mlfb=8WD4308-0DB&lang=en



last modified:

03/10/2020

W9.4444; 8WD4308-0DB
W7.1389;