

ALPHA 630 Universal, Circuit breaker kit 1x VL160X+RCD 3+4-pole
H=400 mm W=300 mm, vertical installation

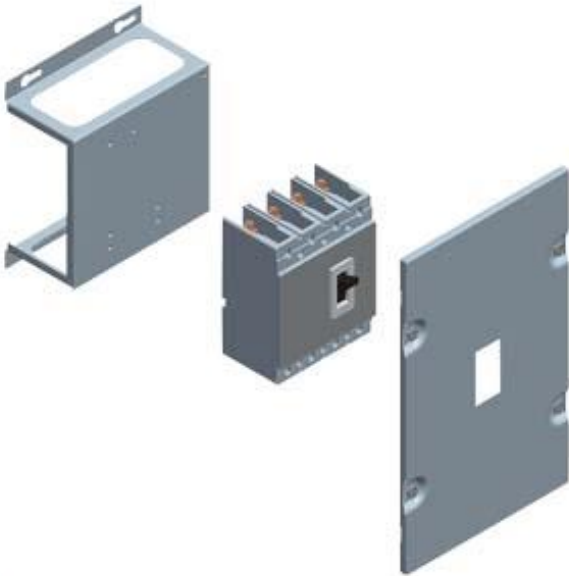




Figure similar

Model	
product brand name	ALPHA UNIVERSAL
Product designation	Assembly kit for 3VL molded-case circuit breakers
Cover plate version	with cutout
Product component	
• Grounding bus	No
• Plastic cover plate	Yes
• Mounting plate	Yes
Mechanical Design	
Height	400 mm
Width	300 mm
mounting position	Vertical installation
Certificates	
• reference code / acc. to DIN EN 61346-2	Q
• Reference code / acc. to DIN EN 81346-2	QA

General Product Approval	Declaration of Conformity	Test Certificates		
Miscellaneous 	 EG-Konf.	Miscellaneous	Type Test Certificates/Test Report	Special Test Certificate

other
Miscellaneous

Further information

Information- and Downloadcenter (Catalogs, Brochures,...)

<http://www.siemens.com/lowvoltage/catalogs>

Industry Mall (Online ordering system)

<https://mall.industry.siemens.com/mall/en/en/Catalog/product?mlfb=8GK6725-4KK13>

Service&Support (Manuals, Certificates, Characteristics, FAQs,...)

<https://support.industry.siemens.com/cs/ww/en/ps/8GK6725-4KK13>

Image database (product images, 2D dimension drawings, 3D models, device circuit diagrams, ...)

http://www.automation.siemens.com/bilddb/cax_en.aspx?mlfb=8GK6725-4KK13

CAX-Online-Generator

<http://www.siemens.com/cax>

Tender specifications

<http://www.siemens.com/specifications>