

accessory for VT630, multiple feed-in terminal 150-240mm² for Cu/Al
for 2 conductors per terminal 1 set = 3 units

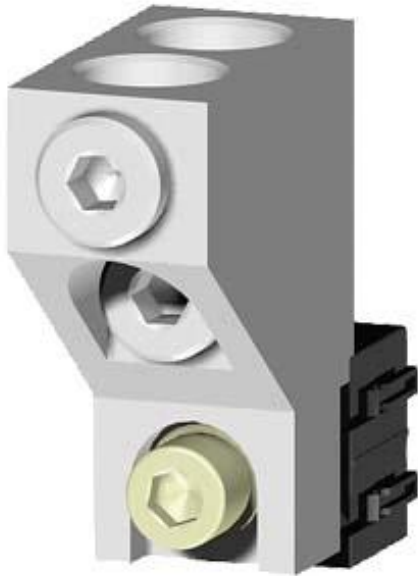


Figure similar

Model	
product brand name	SENTRON
Product designation	Connection technology
Design of the product	Multiple infeed terminal

Accessories	
Accessories	Accessory for VT630

Mechanical Design	
net weight	823 g

Certificates		
Declaration of Con- formity	Test Certificates	other



[Special Test Certificate](#)

[Miscellaneous](#)

[Manufacturer Declara-
tion](#)

Further information

Information- and Downloadcenter (Catalogs, Brochures,...)

<http://www.siemens.com/lowvoltage/catalogs>

Industry Mall (Online ordering system)

<https://mall.industry.siemens.com/mall/en/en/Catalog/product?mfb=3VT9324-4TF30>

Service&Support (Manuals, Certificates, Characteristics, FAQs,...)

<https://support.industry.siemens.com/cs/ww/en/ps/3VT9324-4TF30>

Image database (product images, 2D dimension drawings, 3D models, device circuit diagrams, ...)

http://www.automation.siemens.com/bilddb/cax_en.aspx?mfb=3VT9324-4TF30

CAX-Online-Generator

<http://www.siemens.com/cax>

Tender specifications

<http://www.siemens.com/specifications>

