

supplementary handle for door mounted rotary operator standard
accessory for: 3VA55/3VA65/3VA66



Model	
Product brand name	SETRON
Product designation	Accessories
Product version	Additional handle for door-coupling rotary operating mechanism

Certificates		
General Product Approval	Declaration of Conformity	Shipping Approval

[Miscellaneous](#)



Further information

Information- and Downloadcenter (Catalogs, Brochures,...)

<http://www.siemens.com/lowvoltage/catalogs>

Industry Mall (Online ordering system)

<https://mall.industry.siemens.com/mall/en/en/Catalog/product?mlfb=3VA9677-0GC01>

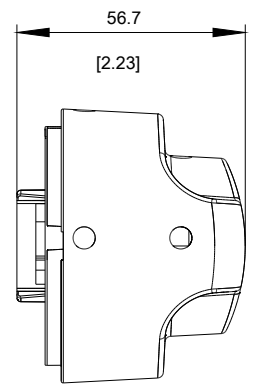
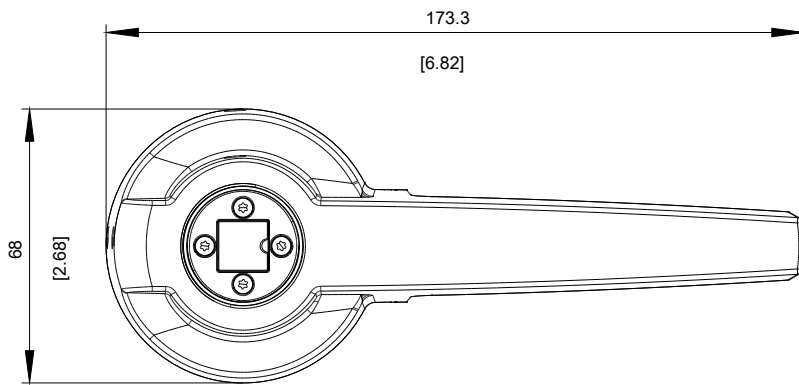
Service&Support (Manuals, Certificates, Characteristics, FAQs,...)

<https://support.industry.siemens.com/cs/ww/en/ps/3VA9677-0GC01>

Image database (product images, 2D dimension drawings, 3D models, device circuit diagrams, ...)
http://www.automation.siemens.com/bilddb/cax_en.aspx?mlfb=3VA9677-0GC01

CAx-Online-Generator
<http://www.siemens.com/cax>

Tender specifications
<http://www.siemens.com/specifications>



last modified:

08/08/2020