

Door mounted rotary operator standard IEC IP65 with door interlocking accessory for: 3VA55/3VA65/3VA66



Model

Product brand name	SETRON
Product designation	Accessories
Product version	Door-coupling rotary operating mechanism

General technical data

Degree of protection NEMA rating	NEMA 1, 3R, 12
Protection class IP	IP65

Certificates

General Product Approval

[Miscellaneous](#)

Further information

Information- and Downloadcenter (Catalogs, Brochures,...)

<http://www.siemens.com/lowvoltage/catalogs>

Industry Mall (Online ordering system)

<https://mall.industry.siemens.com/mall/en/en/Catalog/product?mlfb=3VA9677-0FK21>

Service&Support (Manuals, Certificates, Characteristics, FAQs,...)

<https://support.industry.siemens.com/cs/ww/en/ps/3VA9677-0FK21>

Image database (product images, 2D dimension drawings, 3D models, device circuit diagrams, ...)

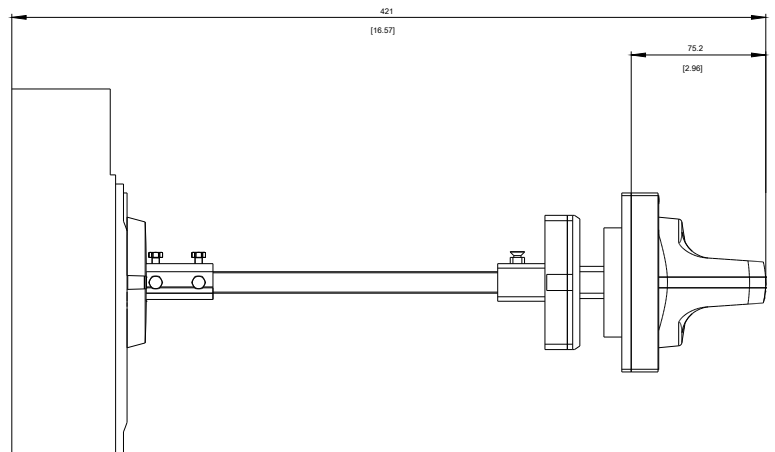
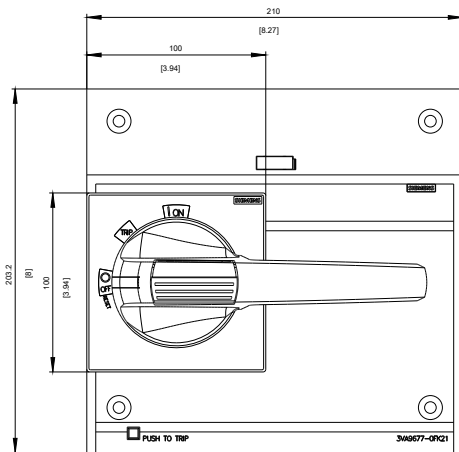
http://www.automation.siemens.com/bilddb/cax_en.aspx?mlfb=3VA9677-0FK21

CAX-Online-Generator

<http://www.siemens.com/cax>

Tender specifications

<http://www.siemens.com/specifications>



last modified:

08/08/2020