



circuit breaker 3VA2 IEC frame 100 breaking capacity class L Icu=150kA @ 415V 3-pole, line protection ETU550, LSI, In=25A overload protection Ir=10A...25A short-circuit protection Isd=0.6..10x In, li=1.5..12x In N conductor protection optionally with external current transformer, up to 160% clamp connection

| Model | |
|--|-----------------------------|
| product brand name | SENTRON |
| product designation | Molded case circuit breaker |
| Product version | Line protection |
| design of the overcurrent release | ETU550 |
| protection function of the overcurrent release | LSI |
| number of poles | 3 |
| General technical data | |
| rated insulation voltage Ui | 800 V |
| power loss [W] / maximum | 0.5 W |
| Active power loss / for rated value of the current / at AC / in hot operating state / per pole | 0.17 W |
| mechanical service life (switching cycles) / typical | 25 000 |
| Electrical endurance (switching cycles) / at AC-1 / at 380/415 V 50/60 Hz | 15 000 |
| Electrical endurance (switching cycles) / at AC-1 / at 690 V 50/60 Hz | 10 500 |
| Neutral conductors / upgradeable/retrofitable | Yes |
| ground-fault monitoring version | Without |
| product function | |
| • communication function | Yes |
| • other measurement function | No |
| Net Weight | 2.5 kg |
| Current | |
| Max. rated operational current of the frame size | 100 A |
| Courant permanent assigné Iu | 25 A |
| operational current | |
| • at 40 °C | 25 A |
| • at 45 °C | 25 A |
| • at 50 °C | 25 A |
| • at 55 °C | 25 A |
| • at 60 °C | 25 A |
| • at 65 °C | 25 A |
| • at 70 °C | 25 A |
| Switching capacity according to IEC 60947 | |
| switching capacity class of the circuit breaker | L |
| breaking capacity maximum short-circuit current (Icu) | |
| • at 240 V | 200 kA |
| • at 415 V | 150 kA |
| • at 440 V | 150 kA |

| | |
|--|---|
| <ul style="list-style-type: none"> • at 500 V • at 690 V | 100 kA 25 kA |
| breaking capacity operating short-circuit current (Ics) <ul style="list-style-type: none"> • at 240 V • at 415 V • at 440 V • at 500 V • at 690 V | 200 kA 150 kA 150 kA 100 kA 18 kA |
| short-circuit current making capacity (Icm) <ul style="list-style-type: none"> • at 240 V • at 415 V • at 440 V • at 500 V • at 690 V | 440 kA 330 kA 330 kA 220 kA 52.5 kA |

Adjustable parameters

| | |
|--|-----------------------------|
| Adjustable response value current / li min. | 38 A |
| Adjustable response value current / li max. | 300 A |
| design of the N-conductor protection | adjustable OFF; 40% to 160% |
| Ground fault protection / tripping switchable / I2t=ON/OFF | No |

Mechanical Design

| | |
|-------------|---------|
| height [in] | 7.13 in |
| Height | 181 mm |
| width [in] | 4.13 in |
| Width | 105 mm |
| depth [in] | 3.39 in |
| depth | 86 mm |

Connections

| | |
|--|------------------------------|
| arrangement of electrical connectors / for main current circuit | Front terminal |
| type of electrical connection / for main current circuit | double-sided box terminal |
| Type of connectable conductor cross-section, round conductor terminal, stranded | 1 x (6-120 mm ²) |
| design of the surface / of the connections / on the top of the switch (N, 1, 3, 5) | tin |

Auxiliary circuit

| | |
|---|----------------|
| product component | |
| <ul style="list-style-type: none"> • undervoltage release • voltage trigger • trip indicator | No No No |
| number of CO contacts / for auxiliary contacts | 0 |

Accessories

| | |
|--|-----|
| product extension / optional / motor drive | Yes |
|--|-----|

Environmental conditions

| | |
|--|------------------------------------|
| protection class IP / on the front | IP40 |
| ambient temperature | |
| <ul style="list-style-type: none"> • during operation / minimum • during operation / maximum • during storage / minimum • during storage / maximum | -25 °C 70 °C -40 °C 80 °C |

Certificates

| | |
|---|---|
| reference code / according to IEC 81346-2 | Q |
|---|---|

General Product Approval

[Confirmation](#)



[Miscellaneous](#)



EMC

Declaration of Conformity

Test Certificates



RCM



EG-Konf.

[UK Declaration of
Conformity](#)

[Type Test Certifi-
cates/Test Report](#)

[Miscellaneous](#)

[Special Test Certifi-
cate](#)

Marine / Shipping



ABS



BUREAU
VERITAS



DNV



LRS



RMRS

[CCS / China Classi-
fication Society](#)

other

[Miscellaneous](#)

[Miscellaneous](#)

Further information

Information- and Downloadcenter (Catalogs, Brochures,...)

<http://www.siemens.com/lowvoltage/catalogs>

Industry Mall (Online ordering system)

<https://mall.industry.siemens.com/mall/en/en/Catalog/product?mlfb=3VA2025-8JP36-0AA0>

Service&Support (Manuals, Certificates, Characteristics, FAQs,...)

<https://support.industry.siemens.com/cs/ww/en/ps/3VA2025-8JP36-0AA0>

Image database (product images, 2D dimension drawings, 3D models, device circuit diagrams, ...)

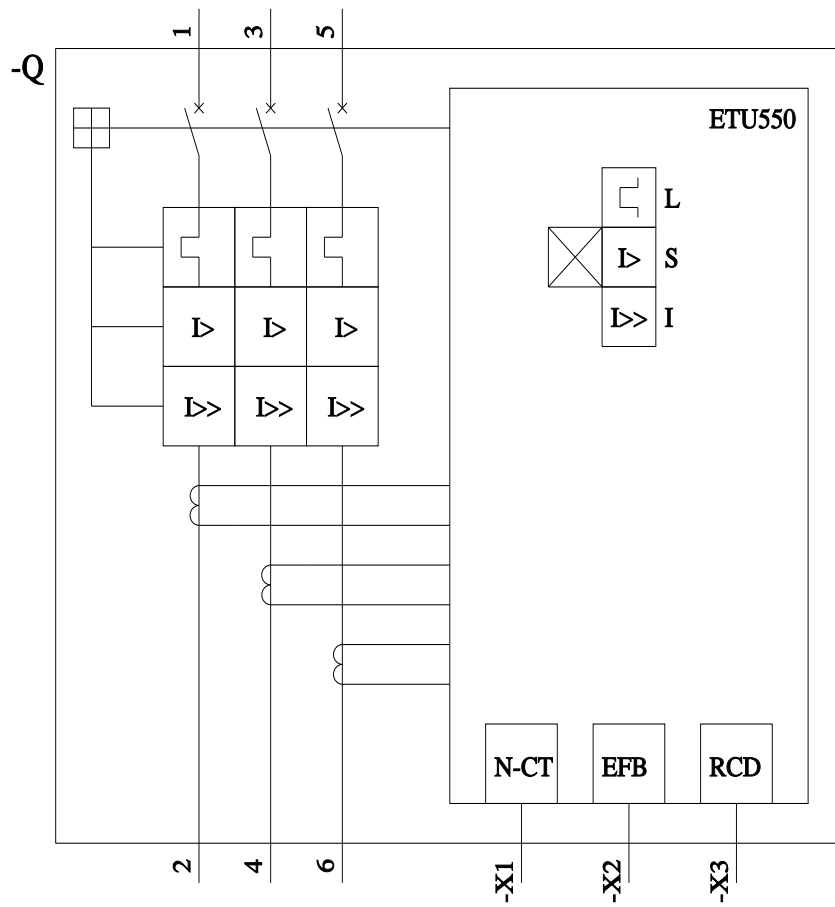
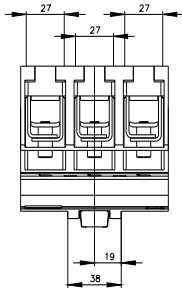
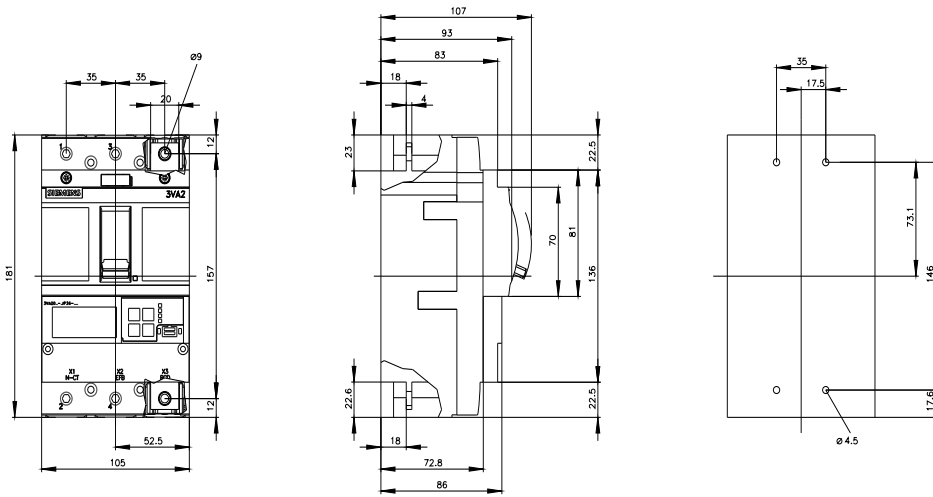
http://www.automation.siemens.com/bilddb/cax_en.aspx?mlfb=3VA2025-8JP36-0AA0

CAX-Online-Generator

<http://www.siemens.com/cax>

Tender specifications

<http://www.siemens.com/specifications>



last modified:

10/2/2021

