



LED module with integrated LED 24 V AC/DC, red, screw terminal, for floor mounting, ATEX Zone 1-2: Intrinsic safety

Figure similar

<b>product brand name</b>	SIRIUS ACT
<b>product designation</b>	LED module
<b>product type designation</b>	3SU1
<b>General technical data</b>	
<b>product component</b>	
• diode	Yes
• lamp transformer	No
• light source	Yes
• series resistor	No
insulation voltage rated value	320 V
<b>degree of pollution</b>	3
type of voltage of the operating voltage	AC/DC
• for actuation	AC/DC
<b>surge voltage resistance rated value</b>	4 kV
consumed current maximum	20 mA
protection class IP	
• of the enclosure	IP30
• of the terminal	IP20
<b>shock resistance</b>	
• acc. to IEC 60068-2-27	Sinusoidal half-wave 50g / 11 ms
• for railway applications acc. to DIN EN 61373	Category 1, Class B
<b>vibration resistance</b>	
• acc. to IEC 60068-2-6	10 ... 500 Hz: 5g
• for railway applications acc. to DIN EN 61373	Category 1, Class B
<b>operating period typical</b>	100 000 h
<b>reference code acc. to IEC 81346-2</b>	P
Substance Prohibitance (Date)	01.10.2014 00:00:00
<b>operating voltage 1</b>	
• at AC	
— at 50 Hz rated value	24 V
— at 60 Hz rated value	24 V
• at DC rated value	24 V
<b>Control circuit/ Control</b>	
<b>inrush current maximum</b>	2 A
<b>Connections/ Terminals</b>	
<b>type of electrical connection</b>	screw-type terminals
<b>type of connectable conductor cross-sections</b>	
• solid with core end processing	2x (0.5 ... 0.75 mm <sup>2</sup> )

<ul style="list-style-type: none"> <li>• solid without core end processing</li> <li>• finely stranded with core end processing</li> <li>• finely stranded without core end processing</li> <li>• at AWG cables</li> </ul>	2x (1.0 ... 1.5 mm <sup>2</sup> ) 2x (0.5 ... 1.5 mm <sup>2</sup> ) 2x (1.0 ... 1.5 mm <sup>2</sup> ) 2x (18 ... 14)
tightening torque with screw-type terminals	0.8 ... 0.9 N·m

### Lamp

<b>type of light source</b>	LED
<b>color of the light source</b>	red
<b>light intensity</b>	450 ... 1 120 mcd
<b>certificate of suitability</b>	
<ul style="list-style-type: none"> <li>• ATEX</li> </ul>	Yes; BVS 18 ATEX E 030 (IEC 60079-0:2017-12 Edition 7.0; EN 60079-11:2012; ATEX-product guideline 2014/34/EU)
<ul style="list-style-type: none"> <li>• IECEx</li> </ul>	Yes; IECEx BVS 18.0023 (IEC 60079-11:2011-06 Edition 6.0; IEC 60079-0:2017-12 Edition 7.0)
<ul style="list-style-type: none"> <li>• for gas explosion protection for zone 1/2</li> </ul>	Yes
explosion device group and category acc. to ATEX	II C
<b>Ex-Marking acc. to ATEX</b>	II 2G Ex ib IIC T4 Gb
<b>equipment protection level (EPL) acc. to ATEX</b>	Gb
<b>maximum input voltage (Ui)</b>	
<ul style="list-style-type: none"> <li>• at AC</li> </ul>	28.8 V
<ul style="list-style-type: none"> <li>• at DC</li> </ul>	28.8 V
<b>type of protection acc. to ATEX</b>	Ex ib

### Ambient conditions

<b>ambient temperature</b>	
<ul style="list-style-type: none"> <li>• during operation</li> </ul>	-25 ... +70 °C
<ul style="list-style-type: none"> <li>• during storage</li> </ul>	-40 ... +80 °C
environmental category during operation acc. to IEC 60721	3M6, 3S2, 3B2, 3C3, 3K6 (with relative air humidity of 10 ... 95 %, no condensation in operation permitted)

### Installation/ mounting/ dimensions

<b>fastening method</b>	
<ul style="list-style-type: none"> <li>• of modules and accessories</li> </ul>	Floor mounting
<b>height</b>	33.2 mm
<b>width</b>	9.8 mm
<b>depth</b>	29.4 mm

### Certificates/ approvals

General Product Approval	EMC	For use in hazardous locations
--------------------------	-----	--------------------------------



Declaration of Conformity	Test Certificates	Marine / Shipping
---------------------------	-------------------	-------------------



[UK Declaration of Conformity](#)

[Type Test Certificates/Test Report](#)

[Special Test Certificate](#)



Marine / Shipping	other
-------------------	-------



[Confirmation](#)

### Further information

Information- and Downloadcenter (Catalogs, Brochures,...)

<https://www.siemens.com/ic10>

Industry Mall (Online ordering system)

<https://mall.industry.siemens.com/mall/en/en/Catalog/product?mlfb=3SU1401-2BB20-1AA2>

Cax online generator

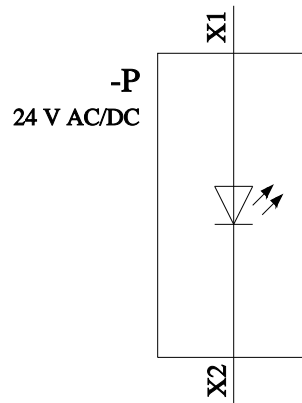
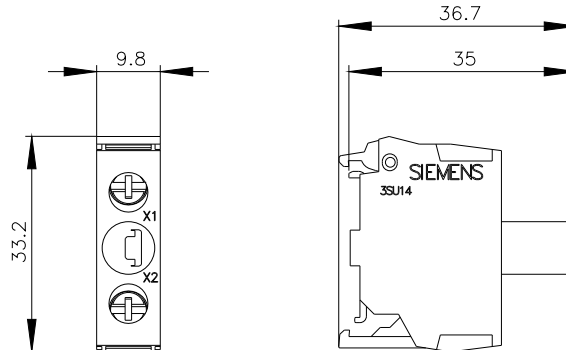
<http://support.automation.siemens.com/WW/CAXorder/default.aspx?lang=en&mlfb=3SU1401-2BB20-1AA2>

Service&Support (Manuals, Certificates, Characteristics, FAQs,...)

<https://support.industry.siemens.com/cs/ww/en/ps/3SU1401-2BB20-1AA2>

Image database (product images, 2D dimension drawings, 3D models, device circuit diagrams, EPLAN macros, ...)

[http://www.automation.siemens.com/bilddb/cax\\_de.aspx?mlfb=3SU1401-2BB20-1AA2&lang=en](http://www.automation.siemens.com/bilddb/cax_de.aspx?mlfb=3SU1401-2BB20-1AA2&lang=en)



last modified:

10/6/2021