

Key-operated switch CES With key monitoring, plastic with metal front ring, lock number SSG10, with 2 keys 2 switch positions O-I, latching, actuating angle 90°, 10:30h/13:30h, Key removal/eject in O



product brand name	SIRIUS ACT
product designation	Key-operated switches
design of the product	Actuating/signaling element
product type designation	3SU1
product line	Plastic with metal front ring, matt, 22 mm
<ul style="list-style-type: none"> Manufacturer's article number of included key 	3SU1950-0FP80-0AA0

Actuator	
manner of function of the actuating element	latching, 90° (10:30 h/13:30 h)
product extension optional light source	No
<ul style="list-style-type: none"> color of the actuating element 	silver
material of the actuating element	metal
shape of the actuating element	Key
Outer diameter of the actuating element	29.5 mm
Number of switching positions	2
Switch position for key distraction	O
Actuating angle	
<ul style="list-style-type: none"> clockwise 	90°
Lock make	CES
Key number	SSG10 with key monitoring

Front ring	
Product component front ring	Yes
Design of the front ring	Standard
material of the front ring	Metal, matt
color of the front ring	sand gray

General technical data	
protection class IP	IP54
• of the terminal	IP20
degree of protection NEMA rating	1, 2, 3, 3R, 4, 4X, 12, 13
• shock resistance acc. to IEC 60068-2-27	Sinusoidal half-wave 50 g / 11 ms
• Shock resistance for railway applications acc. to DIN EN 61373	Category 1, Class B
• vibration resistance acc. to IEC 60068-2-6	10 ... 500 Hz: 5g
• Vibration resistance for railway applications acc. to DIN EN 61373	Category 1, Class B
operating frequency maximum	1 800 1/h
• mechanical service life (switching cycles) typical	1 000 000
reference code acc. to DIN EN 81346-2	S
reference code acc. to DIN EN 61346-2	S

Ambient conditions	
• ambient temperature during operation	-25 ... +70 °C
• ambient temperature during storage	-40 ... +80 °C
Environmental category during operation acc. to IEC 60721	3M6, 3S2, 3B2, 3C3, 3K6 (with relative air humidity of 10 ... 95 %)

Installation/ mounting/ dimensions	
height	29.5 mm
width	29.5 mm
Shape of the installation opening	round
mounting diameter	22.3 mm
Positive tolerance of installation diameter	0.4 mm
mounting height	61 mm
installation width	29.5 mm
installation depth	25.4 mm

Certificates/ approvals

General Product Approval			Declaration of Conformity	Test Certificates
 CSA	 UL		 EG-Konf.	Miscellaneous Type Test Certificates/Test Report

Test Certificates	Marine / Shipping				
Special Test Certificate	 ABS	 LRS	 PRS	 RINA	 RMRS

other
Confirmation

Further information

Information- and Downloadcenter (Catalogs, Brochures,...)

<https://www.siemens.com/ic10>

Industry Mall (Online ordering system)

<https://mall.industry.siemens.com/mall/en/en/Catalog/product?mlfb=3SU1030-5JF01-0AA0>

Cax online generator

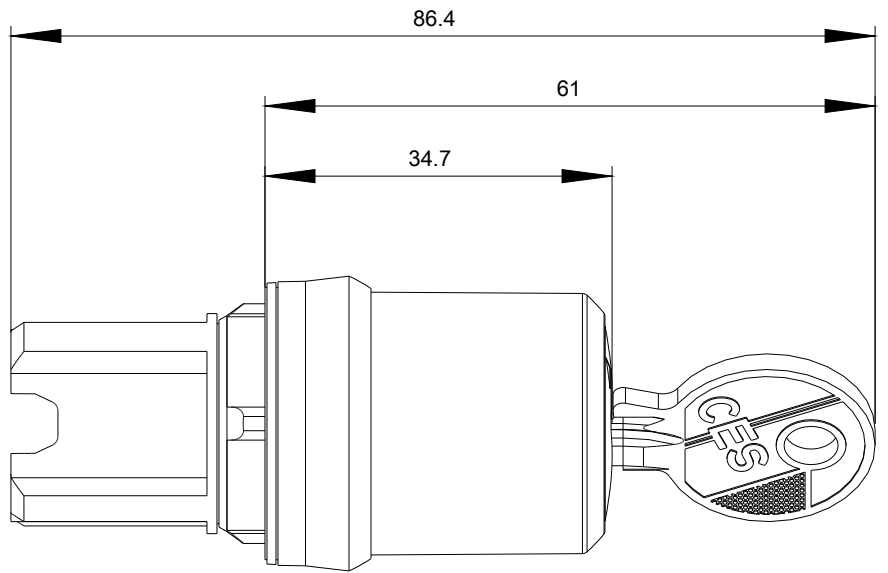
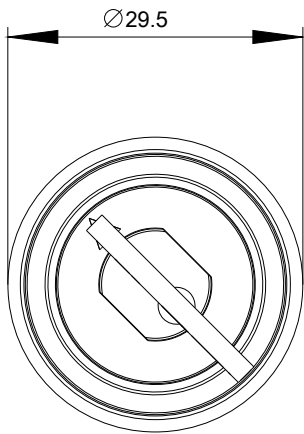
<http://support.automation.siemens.com/WW/CAXorder/default.aspx?lang=en&mlfb=3SU1030-5JF01-0AA0>

Service&Support (Manuals, Certificates, Characteristics, FAQs,...)

<https://support.industry.siemens.com/cs/ww/en/ps/3SU1030-5JF01-0AA0>

Image database (product images, 2D dimension drawings, 3D models, device circuit diagrams, EPLAN macros, ...)

http://www.automation.siemens.com/bilddb/cax_de.aspx?mlfb=3SU1030-5JF01-0AA0&lang=en



last modified:

08/19/2020