



Safety position switch with tumbler Locking force 1300 N 5 directions of approaches Plastic enclosure, 3x(M20x1.5) Spring-locked Auxiliary release on front Magnet voltage 24 V DC Monitoring actuator 2 NC/1 NO Monitoring magnet 2 NC/1 NO LED display yellow/green Supplied without actuator Actuator 3SE5000-0AV0. please order separately Cable gland IP69 to be used

product brand name	SIRIUS
product designation	Mechanical safety switches
design of the product	with separate actuator and with tumbler
product type designation	3SE5
<ul style="list-style-type: none"> Manufacturer's article number of the optional actuators 	3SE5000-0AV01 standard actuator, 3SE5000-0AV02 actuator with vertical fixing, 3SE5000-0AV03 actuator with transverse fixing, 3SE5000-0AV04 radius actuator, approach from left, 3SE5000-0AV05 universal actuator, 3SE5000-0AV06 radius actuator, approach from right, 3SE5000-0AV07 Heavy Duty actuator, 3SE5000-0AW42 actuator with vertical fixing, stainless steel socket, 3SE5000-0AW43 actuator with transverse fixing, stainless steel socket, 3SE5000-0AW51 stainless steel actuator, 3SE5000-0AW52 stainless steel actuator with vertical fixing, 3SE5000-0AW53 stainless steel actuator with transverse fixing
suitability for use safety switch	Yes

General technical data	
<ul style="list-style-type: none"> product function positive opening 	Yes
insulation voltage	
<ul style="list-style-type: none"> rated value 	250 V
degree of pollution	class 3

surge voltage resistance rated value	4 kV
protection class IP	IP66, IP67, IP69
<ul style="list-style-type: none"> • shock resistance 	30g / 11 ms
<ul style="list-style-type: none"> • shock resistance acc. to IEC 60068-2-27 	30 g / 11 ms
vibration resistance	0.35 mm / 5g
<ul style="list-style-type: none"> • acc. to IEC 60068-2-6 	0.35 mm/5g
<ul style="list-style-type: none"> • mechanical service life (switching cycles) typical 	1 000 000
Electrical endurance (switching cycles) with contactor 3RH11, 3RT1016, 3RT1017, 3RT1024, 3RT1025, 3RT1026 typical	1 000 000
Electrical operating cycles in one hour with contactor 3RH11, 3RT1016, 3RT1017, 3RT1024, 3RT1025, 3RT1026	6 000
thermal current	10 A
Material of the enclosure of the switch head	plastic
reference code acc. to DIN EN 81346-2	B
reference code acc. to DIN EN 61346-2	B
Continuous current of the C characteristic MCB	1 A; for a short-circuit current smaller than 400 A
Continuous current of the quick DIAZED fuse link	10 A; for a short-circuit current smaller than 400 A
Continuous current of the DIAZED fuse link gG	6 A; for a short-circuit current smaller than 400 A
Locking force	1 300 N
<ul style="list-style-type: none"> • acc. to DIN EN ISO 14119 	1 000 N
Repeat accuracy	0.05 mm
Minimum actuating force in activation direction	30 N
Length of the sensor	185 mm
Width of the sensor	54 mm
<ul style="list-style-type: none"> • Operating current at AC-15 at 24 V rated value 	6 A
<ul style="list-style-type: none"> • Operating current at AC-15 at 120 V rated value 	6 A
<ul style="list-style-type: none"> • Operating current at AC-15 at 240 V rated value 	3 A
<ul style="list-style-type: none"> • Operating current at DC-13 at 24 V rated value 	3 A
<ul style="list-style-type: none"> • Operating current at DC-13 at 125 V rated value 	0.55 A
<ul style="list-style-type: none"> • Operating current at DC-13 at 250 V rated value 	0.27 A
Design of the interface for safety-related communication	without

Enclosure

Design of the housing	special design
material of the enclosure	plastic
Design of the housing acc. to standard	No

Drive Head	
design of the operating mechanism	5 directions of approach
design of the switching function	positive opening
Number of actuation directions	5
Circuit principle	slow-action contacts
Number of switching contacts safety-related	4

Connections/ Terminals	
type of electrical connection	screw-type terminals
<ul style="list-style-type: none"> type of connectable conductor cross-sections solid 	1x (0.5 ... 1.5 mm ²), 2x (0.5 ... 0.75 mm ²)
<ul style="list-style-type: none"> Type of connectable conductor cross-sections finely stranded with core end processing 	1x (0.5 ... 1.5 mm ²), 2x (0.5 ... 0.75 mm ²)
<ul style="list-style-type: none"> Type of connectable conductor cross-sections at AWG conductors solid 	1x (20 ... 16), 2x (20 ... 18)
<ul style="list-style-type: none"> type of connectable conductor cross-sections at AWG conductors stranded 	1x (20 ... 16), 2x (20 ... 18)

Safety related data	
B10 value	
<ul style="list-style-type: none"> with high demand rate acc. to SN 31920 	1 000 000
proportion of dangerous failures	
<ul style="list-style-type: none"> with high demand rate acc. to SN 31920 	20 %
cable entry type	3 x (M20 x 1.5)
locking mechanism design	spring-actuated lock (closed-circuit principle) with auxiliary release

Communication/ Protocol	
design of the interface	without

Ambient conditions	
<ul style="list-style-type: none"> ambient temperature during operation 	-25 ... +60 °C
<ul style="list-style-type: none"> ambient temperature during storage 	-40 ... +80 °C
explosion protection category for dust	none

Supply voltage	
<ul style="list-style-type: none"> Type of voltage of the supply voltage of the optional LED indicator 	DC
Supply voltage	
<ul style="list-style-type: none"> of LED 	24 V
Supply voltage of magnet coil	24 V

Installation/ mounting/ dimensions	
<ul style="list-style-type: none"> mounting position 	any
<ul style="list-style-type: none"> mounting type 	screw fixing

Certificates/ approvals	
-------------------------	--



CCC



CSA

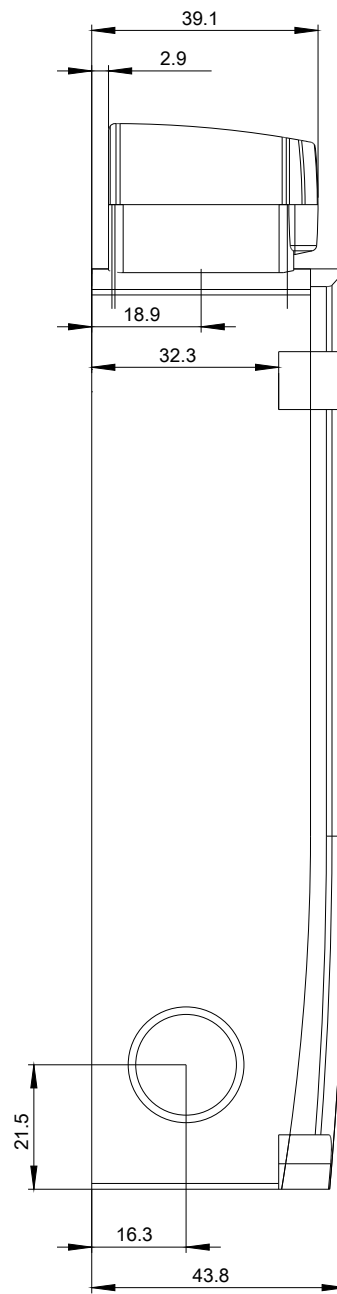
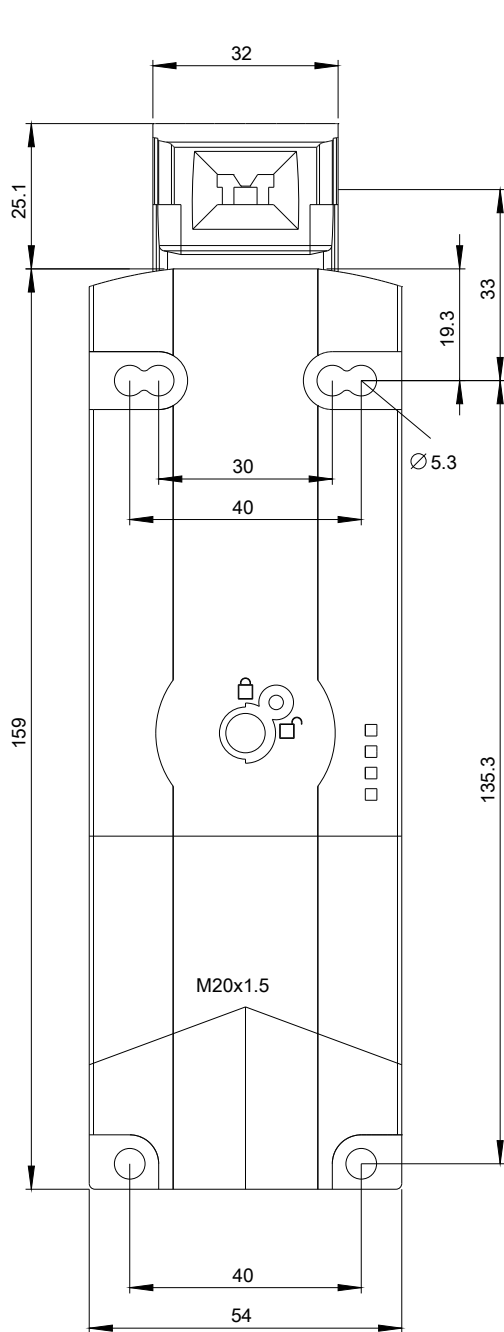


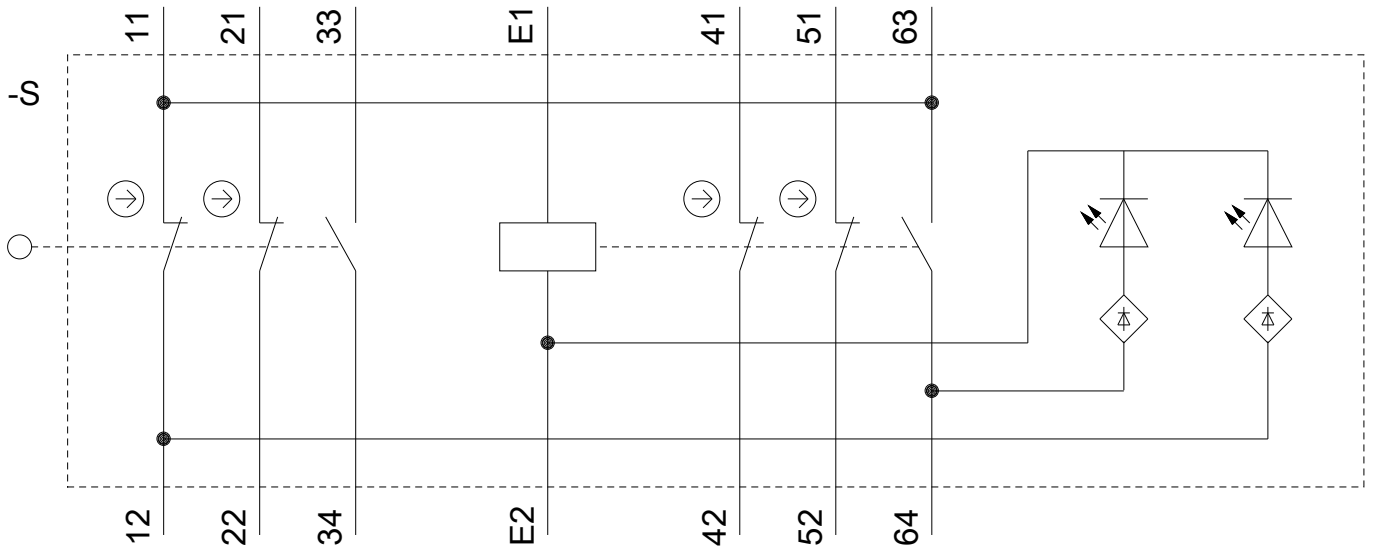
UL

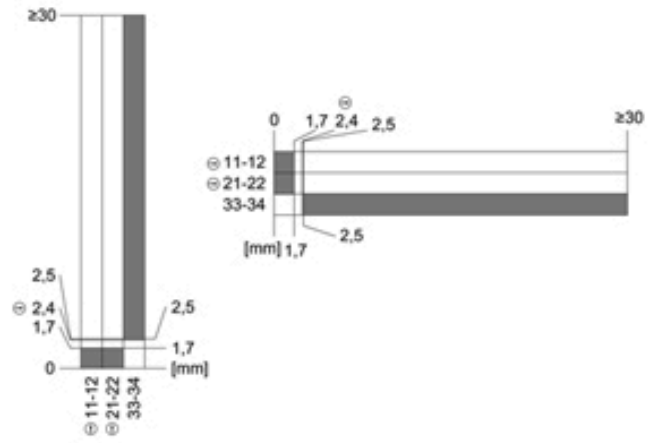
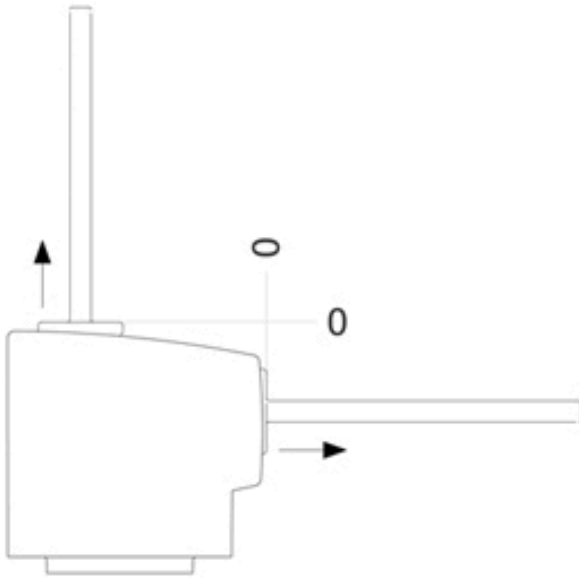
[Miscellaneous](#)

EG-Konf.

Test Certificates**other**[Type Test Certificates/Test Report](#)[Confirmation](#)**Further information****Information- and Downloadcenter (Catalogs, Brochures,...)**<https://www.siemens.com/ic10>**Industry Mall (Online ordering system)**<https://mall.industry.siemens.com/mall/en/en/Catalog/product?mlfb=3SE5322-1SD21-1AG4>**Cax online generator**<http://support.automation.siemens.com/WW/CAXorder/default.aspx?lang=en&mlfb=3SE5322-1SD21-1AG4>**Service&Support (Manuals, Certificates, Characteristics, FAQs,...)**<https://support.industry.siemens.com/cs/ww/en/ps/3SE5322-1SD21-1AG4>**Image database (product images, 2D dimension drawings, 3D models, device circuit diagrams, EPLAN macros, ...)**http://www.automation.siemens.com/bilddb/cax_de.aspx?mlfb=3SE5322-1SD21-1AG4&lang=en







last modified:

08/05/2020