

SIRIUS position switch Metal enclosure XL, 56 mm wide, with twist lever, adjustable-length with Grid hole, Stainless steel lever, stainless steel roller 19mm, Increased corrosion protection (increased corrosion protection), connection 3X(M20x1.5) gold-plated contacts: 2x(1 NO/1 NC) Quick action contacts, adapter 3SX5100-3B (with toothed lock washer) enclosed, Suitable for use at -40 degrees



<b>product brand name</b>	SIRIUS
<b>product designation</b>	Mechanical position switches
<b>product type designation</b>	3SE5
<ul style="list-style-type: none"> <li>Manufacturer's article number of the supplied actuator head for position switches</li> <li>Manufacturer's article number of the supplied operating lever</li> <li>Manufacturer's article number of the supplied switching contacts</li> <li>Manufacturer's article number of the supplied empty enclosure with cover</li> </ul>	<a href="#">3SE5000-0AH00</a>  <a href="#">3SE5000-0AA63</a>  1x 3SE5000-0CA00-1AC1, 1x 3SE5060-0CA00-1AC1 on request  3SE5162-0AA00-1CA0, on request
suitability for use safety switch	Yes
<b>General technical data</b>	
<ul style="list-style-type: none"> <li>product function positive opening</li> </ul>	Yes
<b>insulation voltage</b>	
<ul style="list-style-type: none"> <li>rated value</li> </ul>	400 V
<b>degree of pollution</b>	class 3
<b>surge voltage resistance rated value</b>	6 kV
<b>protection class IP</b>	IP66/IP67

• shock resistance acc. to IEC 60068-2-27	30 g / 11 ms
<b>vibration resistance</b>	
• acc. to IEC 60068-2-6	0.35 mm/5g
• mechanical service life (switching cycles) typical	5 000 000
• Electrical endurance (switching cycles) at AC-15 at 230 V typical	100 000
<b>Electrical endurance (switching cycles) with contactor 3RH11, 3RT1016, 3RT1017, 3RT1024, 3RT1025, 3RT1026 typical</b>	5 000 000
<b>Electrical operating cycles in one hour with contactor 3RH11, 3RT1016, 3RT1017, 3RT1024, 3RT1025, 3RT1026</b>	6 000
<b>thermal current</b>	10 A
<b>Material of the enclosure of the switch head</b>	plastic
<b>reference code acc. to DIN EN 81346-2</b>	B
<b>reference code acc. to DIN EN 61346-2</b>	B
<b>Continuous current of the C characteristic MCB</b>	1 A; for a short-circuit current smaller than 400 A
<b>Continuous current of the quick DIAZED fuse link</b>	10 A; for a short-circuit current smaller than 400 A
<b>Continuous current of the DIAZED fuse link gG</b>	6 A
<b>Active principle</b>	mechanical
<b>Repeat accuracy</b>	0.05 mm
<b>minimum actuating torque in activation direction</b>	0.3 N·m
<b>Length of the sensor</b>	214 mm
<b>Width of the sensor</b>	56 mm
<b>design of the switching contact</b>	mechanical
<b>operating frequency rated value</b>	50 ... 60 Hz
<b>number of NC contacts for auxiliary contacts</b>	2
<b>number of NO contacts for auxiliary contacts</b>	2
• Operating current at AC-15 at 24 V rated value	6 A
• Operating current at AC-15 at 125 V rated value	6 A
• Operating current at AC-15 at 240 V rated value	6 A
• Operating current at AC-15 at 400 V rated value	4 A
• Operating current at DC-13 at 24 V rated value	3 A
• Operating current at DC-13 at 125 V rated value	0.55 A
• Operating current at DC-13 at 250 V rated value	0.27 A
• Operating current at DC-13 at 400 V rated value	0.12 A
<b>Design of the interface for safety-related communication</b>	without

Enclosure	
Design of the housing	block, wide
material of the enclosure	metal
coating of the enclosure	cathodic immersion coating
Design of the housing acc. to standard	No
Drive Head	
design of the operating mechanism	Adjustable twist lever, adjustable-length metal lever with latching, plastic roller 19 mm
Shape of the switch head	roller
design of the switching function	positive opening
Circuit principle	snap-action contacts
Number of switching contacts safety-related	2
Connections/ Terminals	
type of electrical connection	screw-type terminals
<ul style="list-style-type: none"> <li>• type of connectable conductor cross-sections solid</li> </ul>	1x (0.5 ... 1.5 mm <sup>2</sup> ), 2x (0.5 ... 0.75 mm <sup>2</sup> )
<ul style="list-style-type: none"> <li>• Type of connectable conductor cross-sections finely stranded with core end processing</li> </ul>	1x (0.5 ... 1.5 mm <sup>2</sup> ), 2x (0.5 ... 0.75 mm <sup>2</sup> )
<ul style="list-style-type: none"> <li>• Type of connectable conductor cross-sections at AWG conductors solid</li> </ul>	1x (20 ... 16), 2x (20 ... 18)
<ul style="list-style-type: none"> <li>• type of connectable conductor cross-sections at AWG conductors stranded</li> </ul>	1x (20 ... 16), 2x (20 ... 18)
cable entry type	3 x (M20 x 1.5)
Communication/ Protocol	
design of the interface	without
Ambient conditions	
<ul style="list-style-type: none"> <li>• ambient temperature during operation</li> </ul>	-40 ... +85 °C
<ul style="list-style-type: none"> <li>• ambient temperature during storage</li> </ul>	-40 ... +90 °C
explosion protection category for dust	none
Installation/ mounting/ dimensions	
<ul style="list-style-type: none"> <li>• mounting position</li> </ul>	any
<ul style="list-style-type: none"> <li>• mounting type</li> </ul>	screw fixing
Certificates/ approvals	

General Product Approval	Functional Safety/Safety of Machinery	Declaration of Conformity
--------------------------	---------------------------------------	---------------------------



[Type Examination Certificate](#)



Declaration of Conformity	Test Certificates	other
---------------------------	-------------------	-------

[Miscellaneous](#)

[Type Test Certificates/Test Report](#)

[Confirmation](#)

#### Further information

**Information- and Downloadcenter (Catalogs, Brochures,...)**

<https://www.siemens.com/ic10>

**Industry Mall (Online ordering system)**

<https://mall.industry.siemens.com/mall/en/en/Catalog/product?mlfb=3SE5162-0CH63-1AN6>

**Cax online generator**

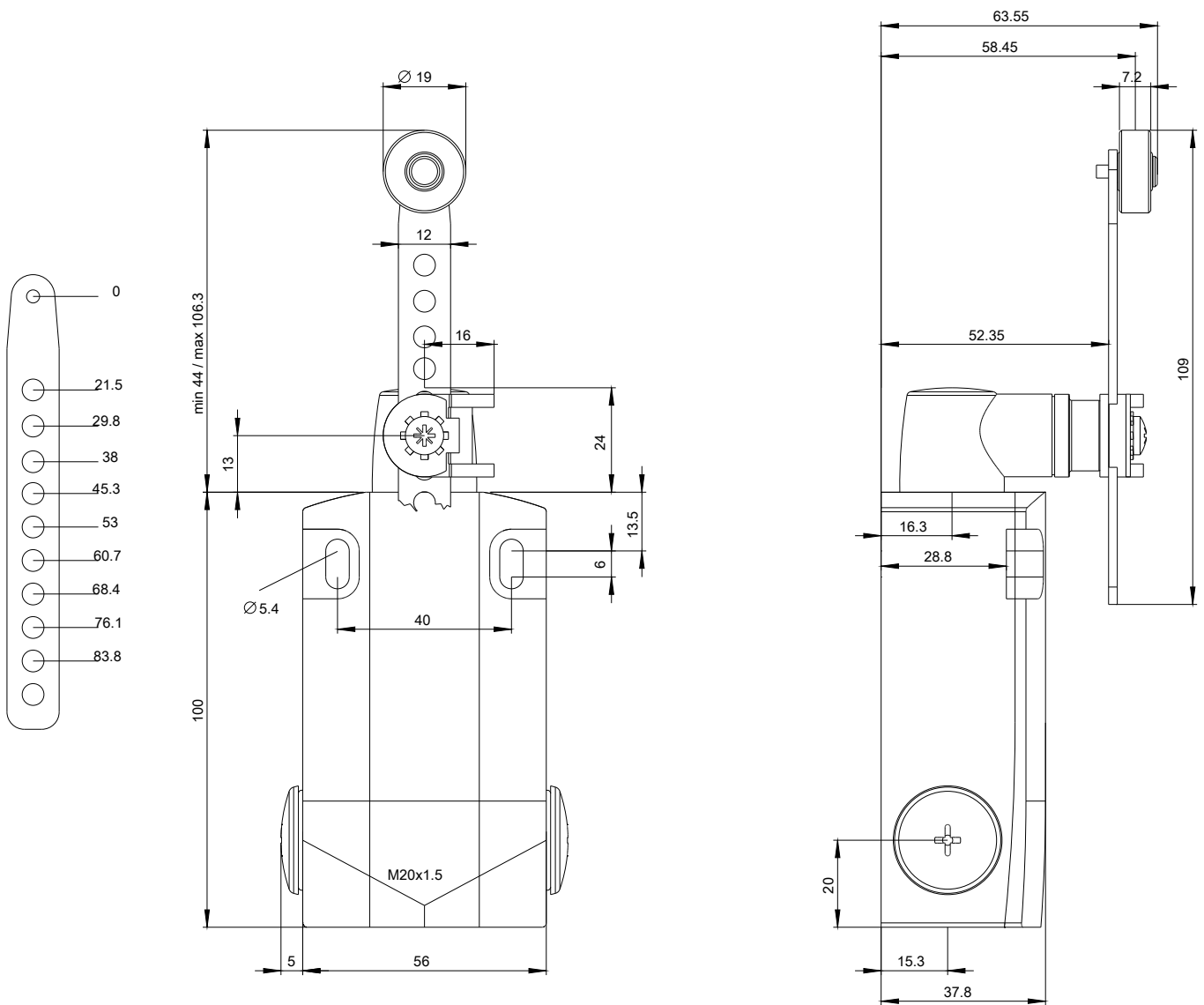
<http://support.automation.siemens.com/WW/CAXorder/default.aspx?lang=en&mlfb=3SE5162-0CH63-1AN6>

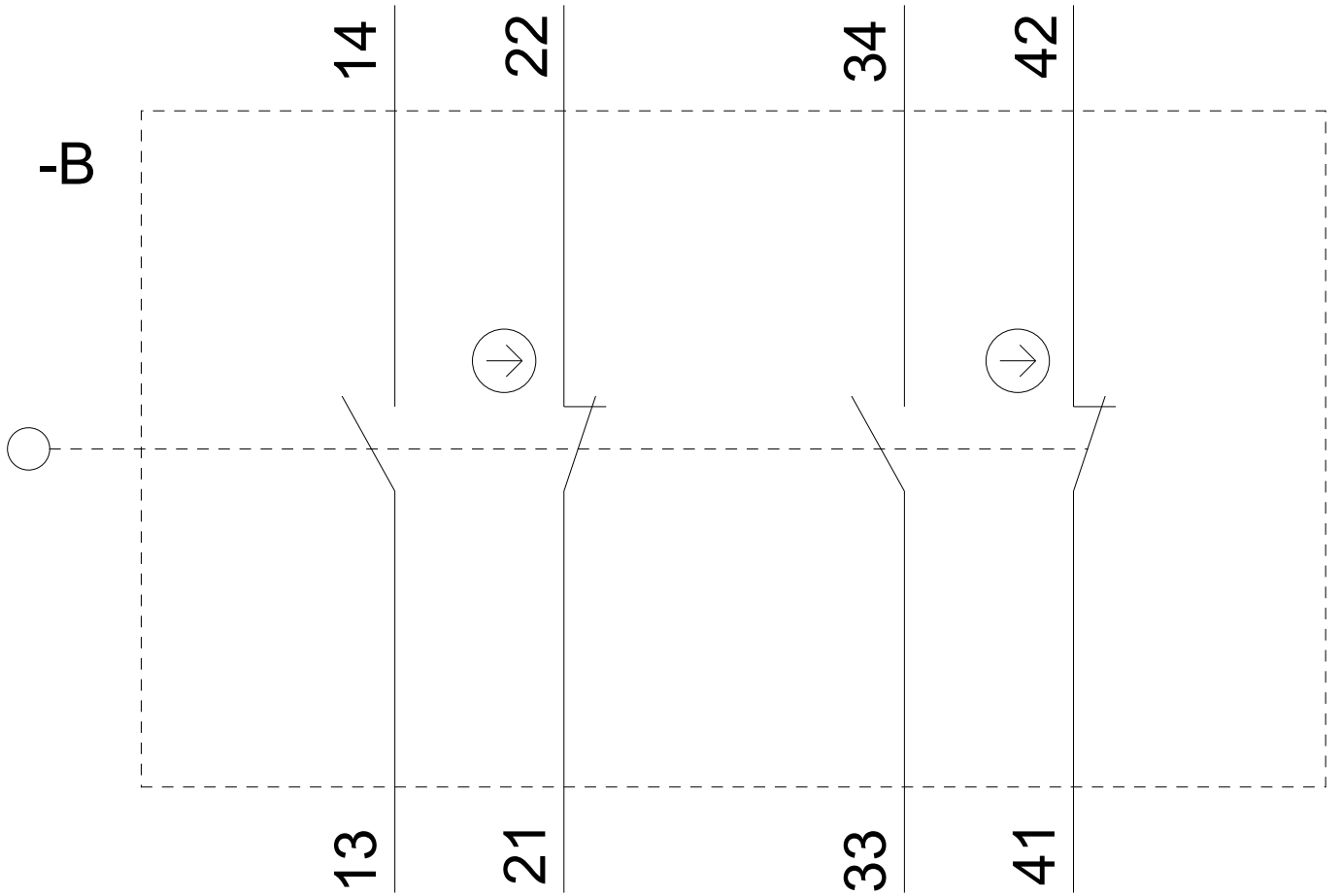
**Service&Support (Manuals, Certificates, Characteristics, FAQs,...)**

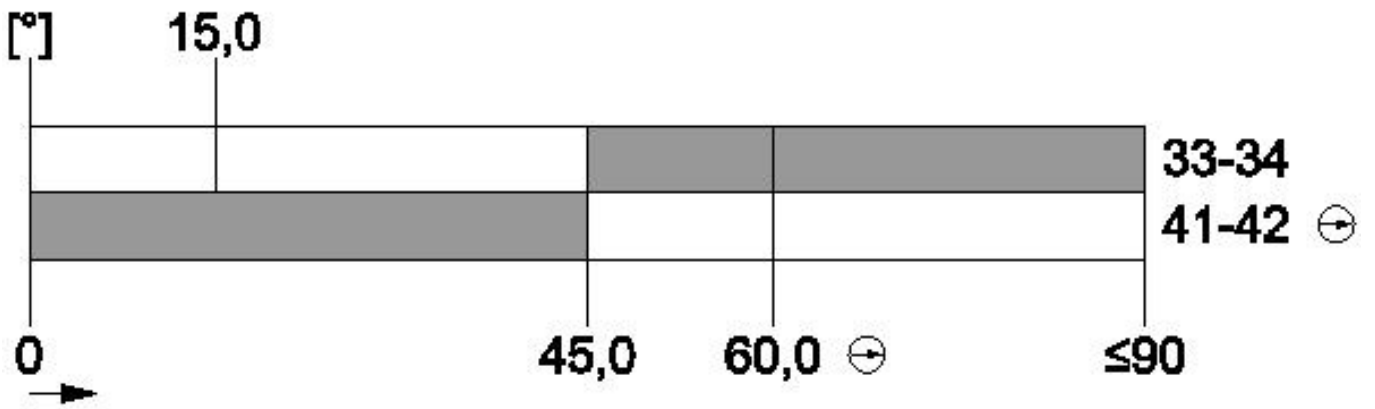
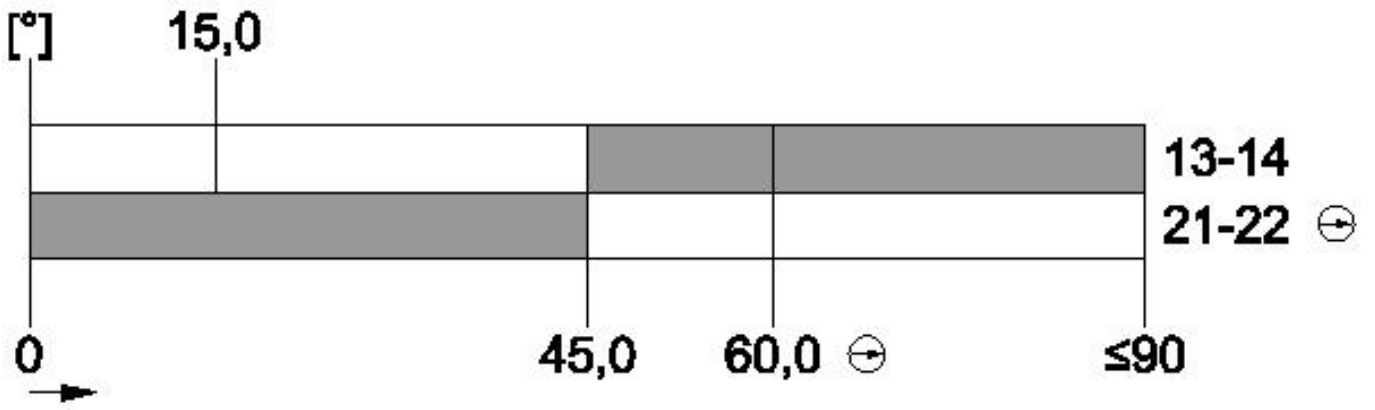
<https://support.industry.siemens.com/cs/ww/en/ps/3SE5162-0CH63-1AN6>

**Image database (product images, 2D dimension drawings, 3D models, device circuit diagrams, EPLAN macros, ...)**

[http://www.automation.siemens.com/bilddb/cax\\_de.aspx?mlfb=3SE5162-0CH63-1AN6&lang=en](http://www.automation.siemens.com/bilddb/cax_de.aspx?mlfb=3SE5162-0CH63-1AN6&lang=en)







last modified:

08/05/2020