

Adjustable-length Twist lever for position switch 3SE51/52 Stainless steel lever 100 mm long with stainless steel terminal plastic roller 19 mm



Product brand name	SIRIUS
Product designation	actuator for part-turn actuator
Product type designation	3SE5
Manufacturer's article number	
• of the supplied operating lever	3SE5000-0AA52
Suitability for use safety switch	No

General technical data	
Product function	
• positive opening	No
Shock resistance	
• acc. to IEC 60068-2-27	30 g / 11 ms
Vibration resistance	
• acc. to IEC 60068-2-6	0.35 mm/5g
Mechanical service life (switching cycles)	
• typical	15 000 000
Reference code acc. to DIN EN 81346-2	T
Reference code acc. to DIN EN 61346-2	T
Active principle	mechanical

Design of the interface for safety-related communication	without
--	---------

Enclosure

Coating of the enclosure	Other types
--------------------------	-------------

Drive Head

Design of the operating mechanism	Adjustable twist lever, adjustable-length high-grade steel lever, plastic roller 19 mm
Shape of the switch head	roller
Outer diameter of the switch head	19 mm

Communication/ Protocol

Design of the interface	without
-------------------------	---------

Ambient conditions

Ambient temperature	
<ul style="list-style-type: none"> during operation during storage 	-25 ... +85 °C -40 ... +90 °C
Explosion protection category for dust	none

Installation/ mounting/ dimensions

Mounting position	any
Mounting type	screw fixing

Certificates/ approvals

General Product Approval		Declaration of Conformity	
 CSA	 UR	KC	 EAC
			 EG-Konf.
			Miscellaneous

Test Certificates	other
-------------------	-------

[Type Test Certificates/Test Report](#)

[Confirmation](#)

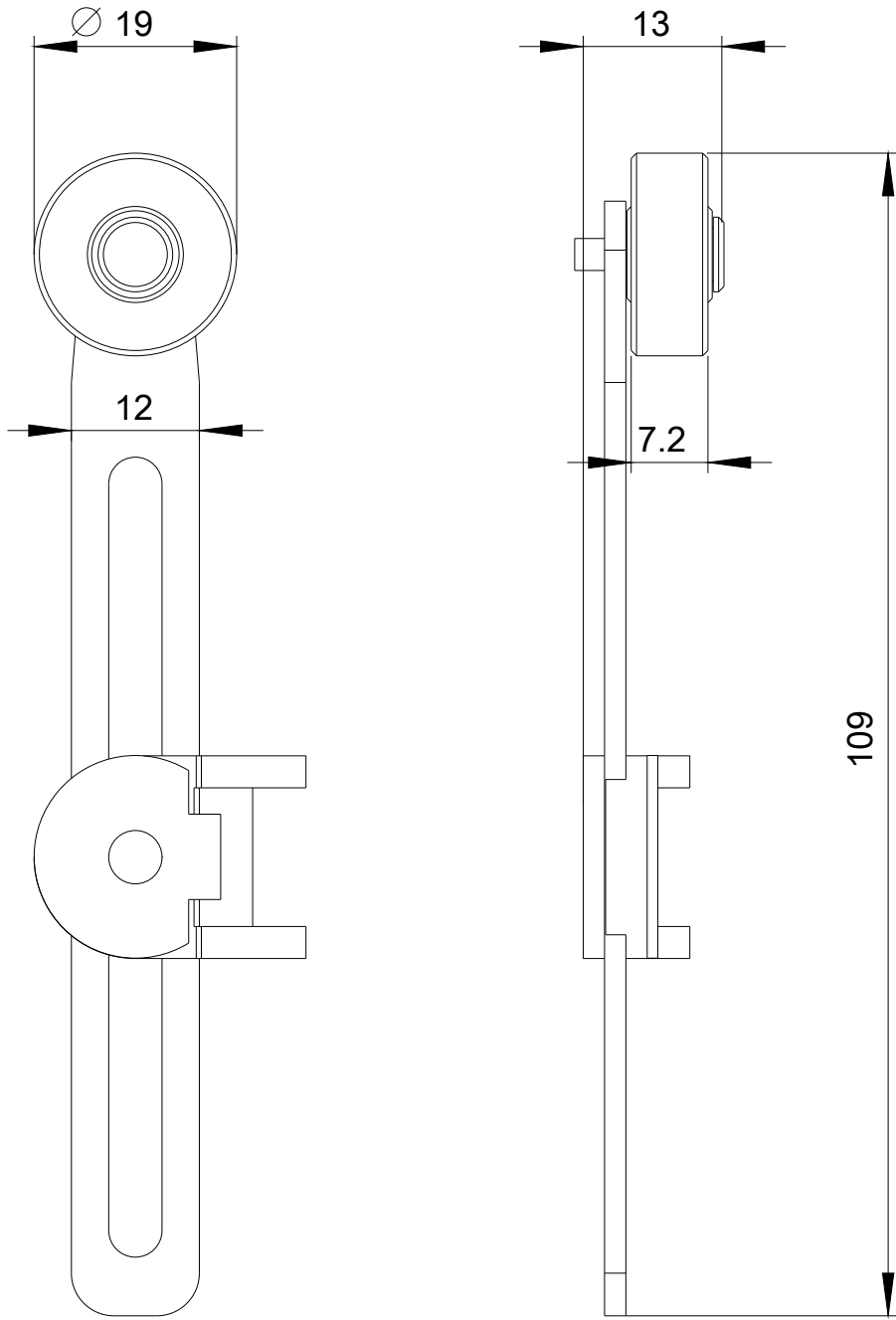
Further information

Information- and Downloadcenter (Catalogs, Brochures,...)
<https://www.siemens.com/ic10>

Industry Mall (Online ordering system)
<https://mall.industry.siemens.com/mall/en/en/Catalog/product?mlfb=3SE5000-0AA52>

Cax online generator
<http://support.automation.siemens.com/WW/CAXorder/default.aspx?lang=en&mlfb=3SE5000-0AA52>

Service&Support (Manuals, Certificates, Characteristics, FAQs,...)
<https://support.industry.siemens.com/cs/ww/en/ps/3SE5000-0AA52>



last modified:

08/05/2020