

Pedal switch 2 change-over contacts 2-pedal, without protective cover



Figure similar

| | |
|-----------------------------------|-------------------------------|
| Product brand name | SIRIUS |
| Product designation | momentary-contact foot switch |
| Suitability for use safety switch | No |

General technical data

| | |
|--|------|
| Protection class IP | IP65 |
| Reference code acc. to DIN EN 81346-2 | S |
| Reference code acc. to DIN EN 61346-2 | S |
| Number of switching steps | 1 |
| Number of the actuation pedals | 2 |
| Number of NC contacts for auxiliary contacts | 0 |
| Number of NO contacts for auxiliary contacts | 0 |
| Operating current at AC-15 | 5 A |
| • at 230 V rated value | |

Enclosure

| | |
|---------------------------|-------------------------------|
| Material of the enclosure | plastic with total insulation |
| Color | black |
| • of the enclosure | |

- of top part of the enclosure

black

Actuator

Product feature

- interlock
- Latching

No

No

Cable entry type

cable, 3 m

Ambient conditions

Ambient temperature

- during operation

-10 ... +75 °C

Installation/ mounting/ dimensions

Mounting type

screw fixing

Height

108 mm

Width

212 mm

Depth

34 mm

Certificates/ approvals

General Product Approval

Declaration of Conformity



CCC



CSA



UL



EG-Konf.

[Miscellaneous](#)

Test Certificates

Marine / Shipping

[Miscellaneous](#)



ABS



LRS



PRS



RINA



DNV-GL
DNVGL.COM/AF

other

[Confirmation](#)

Further information

Information- and Downloadcenter (Catalogs, Brochures,...)

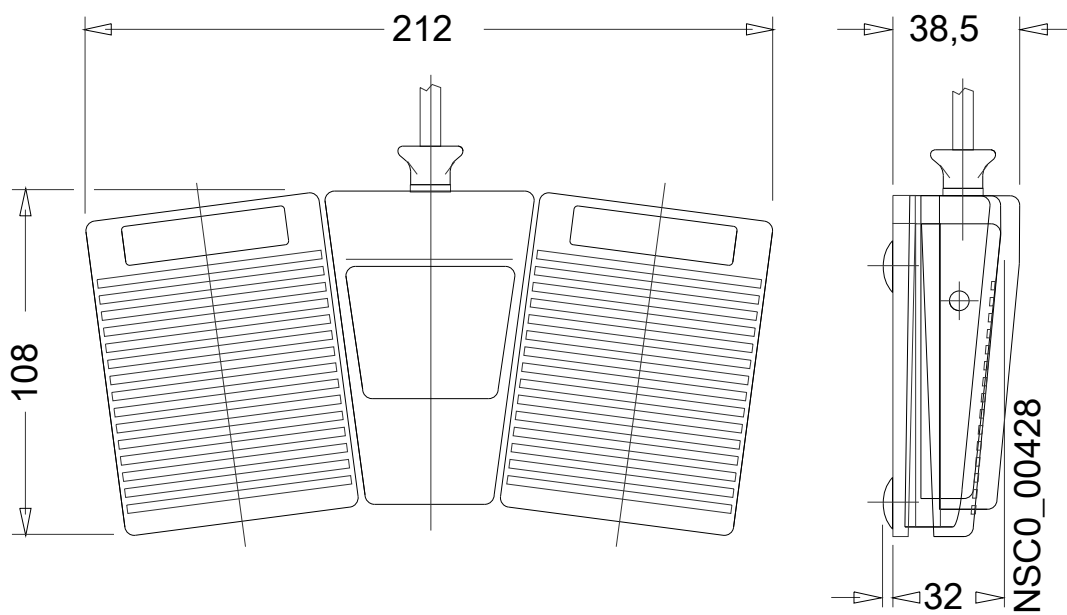
<https://www.siemens.com/ic10>

Industry Mall (Online ordering system)

<https://mall.industry.siemens.com/mall/en/en/Catalog/product?mlfb=3SE3934-5CB20>

Cax online generator

<http://support.automation.siemens.com/WW/CAXorder/default.aspx?lang=en&mlfb=3SE3934-5CB20>



last modified:

08/05/2020