

Momentary-contact foot switch, 1-pedal without cover, without latching Metal enclosure IP65, 2 NO+2 NC, Cable entry M20 x 1.5



Product brand name	SIRIUS
Product designation	momentary-contact foot switch
Suitability for use safety switch	No

General technical data	
Protection class IP	IP65
Reference code acc. to DIN EN 81346-2	S
Reference code acc. to DIN EN 61346-2	S
Number of switching steps	1
Number of the actuation pedals	1
Minimum actuating force in activation direction	20 N
Number of NC contacts for auxiliary contacts	2
Number of NO contacts for auxiliary contacts	2
Operating current at AC-15	
• at 230 V rated value	6 A
• at 400 V rated value	6 A
Operating current at DC-13	
• at 24 V rated value	3 A
• at 250 V rated value	0.25 A

Enclosure	
Material of the enclosure	metal
Color	
• of the enclosure	black
• of top part of the enclosure	grey
Actuator	
Product feature	
• interlock	No
• Latching	No
Safety related data	
B10 value	
• with high demand rate acc. to SN 31920	1 000 000
Proportion of dangerous failures	
• with low demand rate acc. to SN 31920	50 %
• with high demand rate acc. to SN 31920	50 %
Failure rate [FIT]	
• with low demand rate acc. to SN 31920	100 FIT
T1 value for proof test interval or service life acc. to IEC 61508	20 y
Cable entry type	M20 x 1.5
Ambient conditions	
Ambient temperature	
• during operation	-25 ... +80 °C
Installation/ mounting/ dimensions	
Height	70 mm
Width	70 mm
Depth	220 mm
Certificates/ approvals	

General Product Approval

Declaration of Conformity



CCC



CSA



UL



EG-Konf.

[Miscellaneous](#)

Test Certificates

Marine / Shipping

[Miscellaneous](#)



ABS



LRS



PRS



RINA



DNV-GL
DNVGL.COM/AF

other

[Confirmation](#)

Further information

Information- and Downloadcenter (Catalogs, Brochures,...)

<https://www.siemens.com/ic10>

Industry Mall (Online ordering system)

<https://mall.industry.siemens.com/mall/en/en/Catalog/product?mlfb=3SE2903-1AB20>

Cax online generator

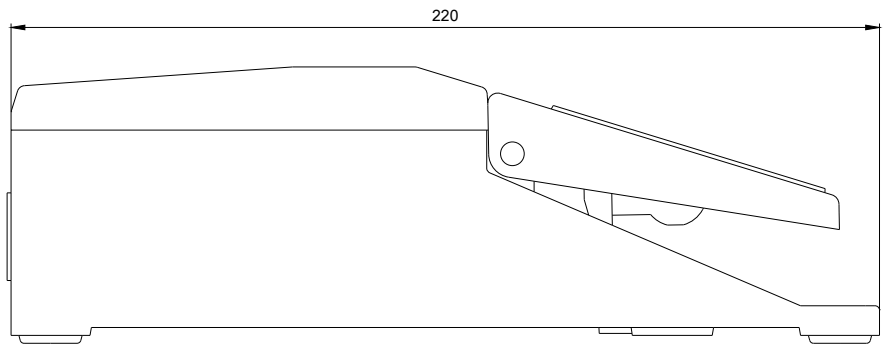
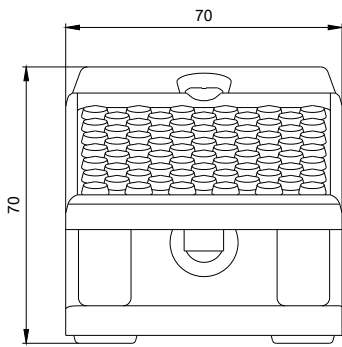
<http://support.automation.siemens.com/WW/CAXorder/default.aspx?lang=en&mlfb=3SE2903-1AB20>

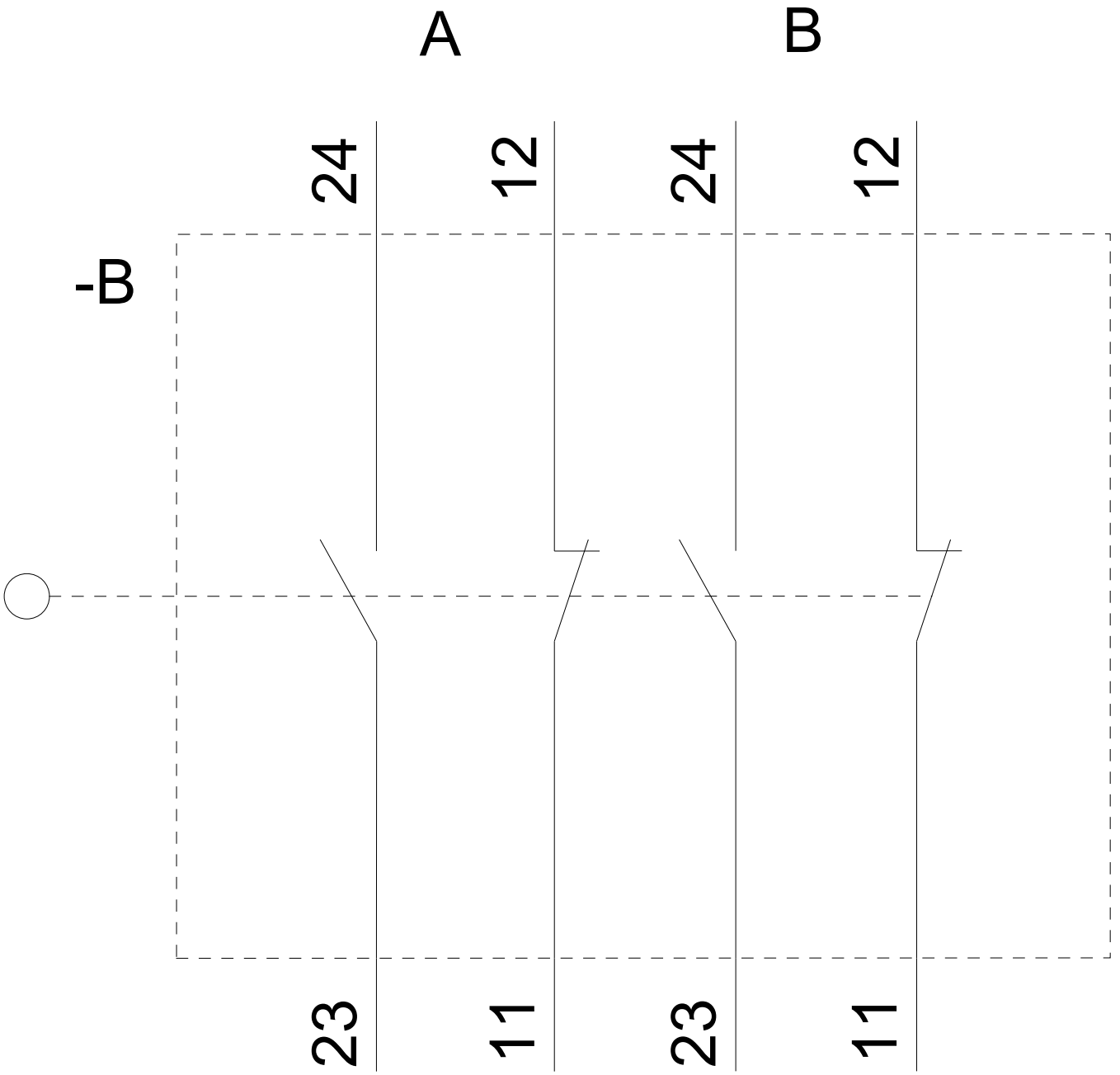
Service&Support (Manuals, Certificates, Characteristics, FAQs,...)

<https://support.industry.siemens.com/cs/ww/en/ps/3SE2903-1AB20>

Image database (product images, 2D dimension drawings, 3D models, device circuit diagrams, EPLAN macros, ...)

http://www.automation.siemens.com/bilddb/cax_de.aspx?mlfb=3SE2903-1AB20&lang=en





last modified:

08/05/2020