

Contact block, 1 NC, flat connector terminal



| | |
|--|------------------------------|
| Product brand name | SIRIUS |
| Product designation | contact block |
| Product type designation | 3SB2 |
| Contact block/ lampholder | |
| Number of lampholders | 0 |
| General technical data | |
| Product function | Yes |
| • positive opening | Yes |
| Suitability for integration | pushbutton / selector button |
| Type of voltage | AC/DC |
| • of the operating voltage | AC/DC |
| Protection class IP | IP40 |
| • of the enclosure | IP40 |
| • of the terminal | IP00 |
| Vibration resistance | 20 ... 200 Hz: 5g |
| • acc. to IEC 60068-2-6 | 20 ... 200 Hz: 5g |
| Reference code acc. to DIN 40719 extended according to IEC 204-2 acc. to IEC 750 | S |
| Reference code acc. to DIN EN 81346-2 | S |

| | |
|---|---|
| Reference code acc. to DIN EN 61346-2 | S |
| Operating voltage | |
| <ul style="list-style-type: none"> • at AC <ul style="list-style-type: none"> — at 50 Hz rated value — at 60 Hz rated value • at DC <ul style="list-style-type: none"> — rated value | 5 ... 230 V 5 ... 230 V 5 ... 230 V |
| Auxiliary circuit | |
| Number of NC contacts for auxiliary contacts | 1 |
| Number of NO contacts for auxiliary contacts | 0 |
| Number of CO contacts | |
| <ul style="list-style-type: none"> • for auxiliary contacts | 0 |
| Operating current at AC-12 | |
| <ul style="list-style-type: none"> • at 24 V rated value • at 60 V rated value • at 110 V rated value • at 230 V rated value | 10 A 10 A 10 A 10 A |
| Operating current at AC-15 | |
| <ul style="list-style-type: none"> • at 24 V rated value • at 110 V rated value • at 230 V rated value | 4 A 4 A 4 A |
| Operating current at DC-12 | |
| <ul style="list-style-type: none"> • at 24 V rated value • at 60 V rated value • at 110 V rated value • at 230 V rated value | 6 A 5 A 2.5 A 1 A |
| Operating current at DC-13 | |
| <ul style="list-style-type: none"> • at 24 V rated value • at 60 V rated value • at 110 V rated value • at 230 V rated value | 3 A 1.2 A 0.7 A 0.3 A |
| Connections/ Terminals | |
| Type of electrical connection | tab terminals |
| Ambient conditions | |
| Ambient temperature | |
| <ul style="list-style-type: none"> • during operation • during storage | -25 ... +70 °C -40 ... +80 °C |
| Installation/ mounting/ dimensions | |
| Mounting type | clip-on |
| Height | 19 mm |

| | |
|-------|-------|
| Width | 8 mm |
| Depth | 31 mm |

Certificates/ approvals

| | |
|--------------------------|---------------------------|
| General Product Approval | Declaration of Conformity |
|--------------------------|---------------------------|



CCC



CSA



UL

[KC](#)



EG-Konf.

| | |
|---------------------------|-------|
| Declaration of Conformity | other |
|---------------------------|-------|

[Miscellaneous](#)

[Confirmation](#)

Further information

Information- and Downloadcenter (Catalogs, Brochures,...)

<https://www.siemens.com/ic10>

Industry Mall (Online ordering system)

<https://mall.industry.siemens.com/mall/en/en/Catalog/product?mlfb=3SB2404-0C>

Cax online generator

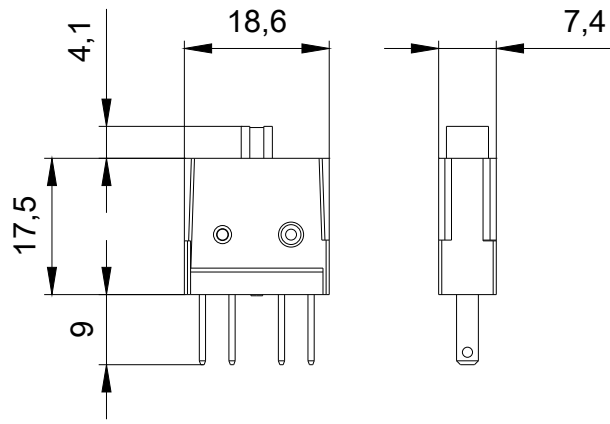
<http://support.automation.siemens.com/WW/CAXorder/default.aspx?lang=en&mlfb=3SB2404-0C>

Service&Support (Manuals, Certificates, Characteristics, FAQs,...)

<https://support.industry.siemens.com/cs/ww/en/ps/3SB2404-0C>

Image database (product images, 2D dimension drawings, 3D models, device circuit diagrams, EPLAN macros, ...)

http://www.automation.siemens.com/bilddb/cax_de.aspx?mlfb=3SB2404-0C&lang=en



last modified:

08/19/2020