



Capacitor contactor, AC-6b 16.7 kVAR, / 400 V 1 NO + 2 NC, 24 V DC 3-pole, Size S0 screw terminal

| | |
|---|--------------------------|
| product brand name | SIRIUS |
| product designation | capacitor contactors |
| product type designation | 3RT26 |
| General technical data | |
| size of contactor | S0 |
| product extension auxiliary switch | No |
| insulation voltage | |
| • of main circuit with degree of pollution 3 rated value | 690 V |
| • of auxiliary circuit with degree of pollution 3 rated value | 690 V |
| surge voltage resistance | |
| • of main circuit rated value | 6 kV |
| • of auxiliary circuit rated value | 6 kV |
| maximum permissible voltage for safe isolation between coil and main contacts according to EN 60947-1 | 400 V |
| shock resistance at rectangular impulse | |
| • at DC | 10g / 5 ms, 7,5g / 10 ms |
| shock resistance with sine pulse | |
| • at DC | 15g / 5 ms, 10g / 10 ms |
| mechanical service life (switching cycles) | |
| • of the contactor with added auxiliary switch block typical | 3 000 000 |
| electrical endurance (switching cycles) | 200 000 |
| reference code according to IEC 81346-2 | Q |
| Substance Prohibitance (Date) | 05/01/2014 |
| Ambient conditions | |
| installation altitude at height above sea level maximum | 2 000 m |
| ambient temperature | |
| • during operation | -25 ... +60 °C |
| • during storage | -55 ... +80 °C |
| relative humidity minimum | 10 % |
| relative humidity at 55 °C according to IEC 60068-2-30 maximum | 95 % |
| Main circuit | |
| number of NO contacts for main contacts | 3 |
| number of NC contacts for main contacts | 0 |
| operational current at AC-6b at 690 V at ambient temperature 60 °C rated value | 24 A |
| operating reactive power at AC-6b | |
| • at 230 V at 50/60 Hz at ambient temperature 60 °C rated value | 3 ... 9.6 kvar |

| | |
|---|-------------------------|
| <ul style="list-style-type: none"> at 400 V at 50/60 Hz at ambient temperature 60 °C rated value | 6 ... 16.7 kvar |
| <ul style="list-style-type: none"> at 500 V at 50/60 Hz at ambient temperature 60 °C rated value | 7 ... 21 kvar |
| <ul style="list-style-type: none"> at 690 V at 50/60 Hz at ambient temperature 60 °C rated value | 10 ... 29 kvar |
| no-load switching frequency | |
| <ul style="list-style-type: none"> at DC | 500 1/h |
| operating frequency at AC-6b | |
| <ul style="list-style-type: none"> at 230 V maximum | 180 1/h |
| <ul style="list-style-type: none"> at 240 V maximum | 180 1/h |
| <ul style="list-style-type: none"> at 400 V maximum | 180 1/h |
| <ul style="list-style-type: none"> at 480 V maximum | 180 1/h |
| <ul style="list-style-type: none"> at 500 V maximum | 180 1/h |
| <ul style="list-style-type: none"> at 600 V maximum | 180 1/h |
| <ul style="list-style-type: none"> at 690 V maximum | 150 1/h |
| Control circuit/ Control | |
| type of voltage | DC |
| type of voltage of the control supply voltage | DC |
| control supply voltage at DC | |
| <ul style="list-style-type: none"> rated value | 24 V |
| operating range factor control supply voltage rated value of magnet coil at DC | |
| <ul style="list-style-type: none"> initial value | 0.8 |
| <ul style="list-style-type: none"> full-scale value | 1.1 |
| closing power of magnet coil at DC | 5.9 W |
| holding power of magnet coil at DC | 5.9 W |
| closing delay | |
| <ul style="list-style-type: none"> at DC | 50 ... 170 ms |
| opening delay | |
| <ul style="list-style-type: none"> at DC | 15 ... 18 ms |
| arcing time | 10 ... 10 ms |
| control version of the switch operating mechanism | Standard A1 - A2 |
| residual current of the electronics for control with signal <0> | |
| <ul style="list-style-type: none"> at DC at 24 V maximum permissible | 16 mA |
| Auxiliary circuit | |
| number of NC contacts for auxiliary contacts | 2 |
| <ul style="list-style-type: none"> attachable | 0 |
| <ul style="list-style-type: none"> instantaneous contact | 2 |
| number of NO contacts for auxiliary contacts | 1 |
| <ul style="list-style-type: none"> attachable | 0 |
| <ul style="list-style-type: none"> instantaneous contact | 1 |
| operational current of auxiliary contacts at AC-12 maximum | 10 A |
| operational current of auxiliary contacts at AC-15 | |
| <ul style="list-style-type: none"> at 230 V | 6 A |
| <ul style="list-style-type: none"> at 400 V | 3 A |
| operational current of auxiliary contacts at DC-13 | |
| <ul style="list-style-type: none"> at 24 V | 6 A |
| <ul style="list-style-type: none"> at 60 V | 2 A |
| <ul style="list-style-type: none"> at 110 V | 1 A |
| <ul style="list-style-type: none"> at 125 V | 0.9 A |
| <ul style="list-style-type: none"> at 220 V | 0.3 A |
| contact reliability of auxiliary contacts | 0.00000001 |
| UL/CSA ratings | |
| contact rating of auxiliary contacts according to UL | A600 / Q600 |
| Short-circuit protection | |
| design of the fuse link | |
| <ul style="list-style-type: none"> for short-circuit protection of the main circuit with type of coordination 1 required | gG: 50 A (690 V, 50 kA) |

- for short-circuit protection of the auxiliary switch required

gG: 10 A (500 V, 1 kA)

Installation/ mounting/ dimensions

| | |
|--|--|
| mounting position | +/-180° rotation possible on vertical mounting surface; can be tilted forward and backward by +/- 22.5° on vertical mounting surface |
| fastening method | screw and snap-on mounting onto 35 mm standard mounting rail according to DIN EN 50022 |
| height | 135 mm |
| width | 45 mm |
| depth | 165 mm |
| required spacing | |
| <ul style="list-style-type: none"> • with side-by-side mounting at the side • for grounded parts at the side | <p>10 mm</p> <p>10 mm</p> |

Connections/ Terminals

| | |
|--|---|
| type of electrical connection | |
| <ul style="list-style-type: none"> • for main current circuit • for auxiliary and control circuit • at contactor for auxiliary contacts • of magnet coil | <p>screw-type terminals</p> <p>screw-type terminals</p> <p>Screw-type terminals</p> <p>Screw-type terminals</p> |
| type of connectable conductor cross-sections | |
| <ul style="list-style-type: none"> • for main contacts <ul style="list-style-type: none"> — solid — stranded — solid or stranded — finely stranded with core end processing • at AWG cables for main contacts | <p>2x (1 ... 2.5 mm²), 2x (2.5 ... 10 mm²)</p> <p>2x (1 ... 2.5 mm²), 2x (2.5 ... 10 mm²)</p> <p>2x (1 ... 2.5 mm²), 2x (2.5 ... 10 mm²)</p> <p>2x (1 ... 2.5 mm²), 2x (2.5 ... 6 mm²), 1x 10 mm²</p> <p>2x (16 ... 12), 2x (14 ... 8)</p> |
| type of connectable conductor cross-sections | |
| <ul style="list-style-type: none"> • for auxiliary contacts <ul style="list-style-type: none"> — solid — solid or stranded — finely stranded with core end processing • at AWG cables for auxiliary contacts | <p>2x (0.5 ... 1.5 mm²), 2x (0.75 ... 2.5 mm²), 2x 4 mm²</p> <p>2x (0.5 ... 1.5 mm²), 2x (0.75 ... 2.5 mm²), 2x 4 mm²</p> <p>2x (0.5 ... 1.5 mm²), 2x (0.75 ... 2.5 mm²)</p> <p>2x (20 ... 16), 2x (18 ... 14), 2x 12</p> |
| type of minimum connectable cross-section for main contacts at AC-6b | |
| <ul style="list-style-type: none"> • at 40 °C • at 60 °C | <p>1x 6 mm²</p> <p>1x 10 mm², 2x 6 mm²</p> |
| AWG number as coded connectable conductor cross section for main contacts | 16 ... 8 |

Safety related data

| | |
|---|--|
| product function | |
| <ul style="list-style-type: none"> • mirror contact according to IEC 60947-4-1 • positively driven operation according to IEC 60947-5-1 | <p>No</p> <p>No</p> |
| protection class IP on the front according to IEC 60529 | IP20 |
| touch protection on the front according to IEC 60529 | finger-safe, for vertical contact from the front |

Certificates/ approvals

| | |
|---------------------------------|-----|
| General Product Approval | EMC |
|---------------------------------|-----|



[Confirmation](#)



| | | | |
|----------------------------------|--------------------------|--------------------------|--------------|
| Declaration of Conformity | Test Certificates | Marine / Shipping | other |
|----------------------------------|--------------------------|--------------------------|--------------|

other

Dangerous Good



[Transport Information](#)

Further information

Information- and Downloadcenter (Catalogs, Brochures,...)

<https://www.siemens.com/ic10>

Industry Mall (Online ordering system)

<https://mall.industry.siemens.com/mall/en/en/Catalog/product?mlfb=3RT2625-1BB45>

Cax online generator

<http://support.automation.siemens.com/WW/CAXorder/default.aspx?lang=en&mlfb=3RT2625-1BB45>

Service&Support (Manuals, Certificates, Characteristics, FAQs,...)

<https://support.industry.siemens.com/cs/ww/en/ps/3RT2625-1BB45>

Image database (product images, 2D dimension drawings, 3D models, device circuit diagrams, EPLAN macros, ...)

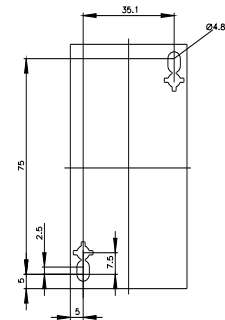
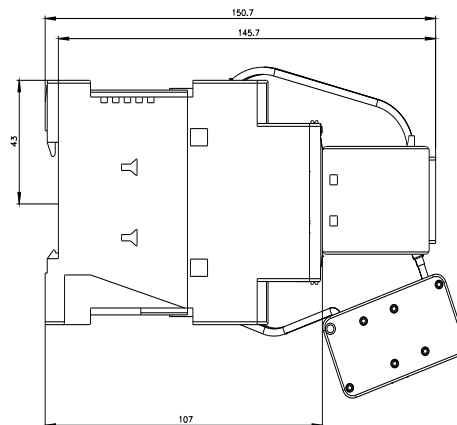
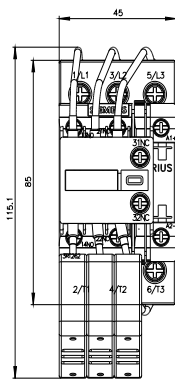
http://www.automation.siemens.com/bilddb/cax_de.aspx?mlfb=3RT2625-1BB45&lang=en

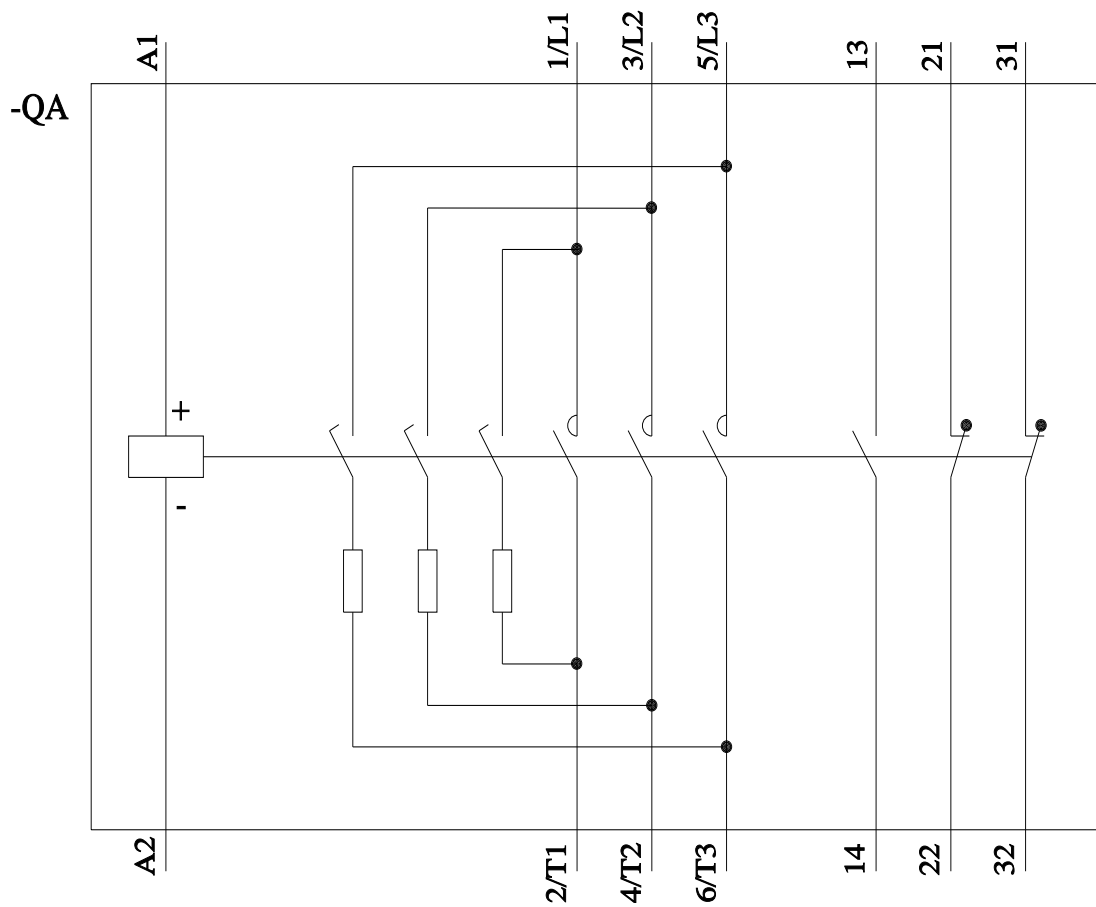
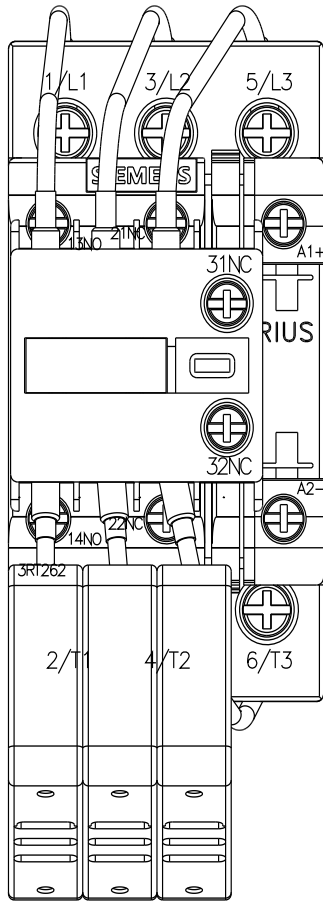
Characteristic: Tripping characteristics, I²t, Let-through current

<https://support.industry.siemens.com/cs/ww/en/ps/3RT2625-1BB45/char>

Further characteristics (e.g. electrical endurance, switching frequency)

<http://www.automation.siemens.com/bilddb/index.aspx?view=Search&mlfb=3RT2625-1BB45&objecttype=14&gridview=view1>





last modified:

12/8/2021