

solid-state time-delayed front-side auxiliary switch Time range 5...100 s, 200 ... 240 V AC, 1 NO contact, 1 NC contact ON delay, for 3RT1



Product brand name	SIRIUS
Product designation	auxiliary switch
Design of the product	slow-operating
Product type designation	3RT19

General technical data	
Size of contactor can be combined company-specific	S0 ... S12
Product component	
• semi-conductor output	No
Product extension required remote control	No
Product extension optional remote control	No
Insulation voltage	
• for overvoltage category III according to IEC 60664	
— with degree of pollution 3 rated value	300 V
Degree of pollution	3
Surge voltage resistance rated value	4 000 V
Protection class IP	
• of the terminal	IP20
Shock resistance	

• acc. to IEC 60068-2-27	11g / 15 ms
Vibration resistance	
• acc. to IEC 60068-2-6	10 ... 55 Hz: 0.35 mm
Mechanical service life (switching cycles)	
• typical	10 000 000
Electrical endurance (switching cycles)	
• at AC-15 at 230 V typical	100 000
adjustable time	5 ... 100 s
Relative setting accuracy relating to full-scale value	15 %
Recovery time	150 ms
Reference code acc. to DIN EN 81346-2	K
Relative repeat accuracy	1 %

Product Function

Product function star-delta circuit	No
--	----

Control circuit/ Control

Type of voltage of the control supply voltage	AC
Control supply voltage 1 at AC	
• at 50 Hz	200 ... 240 V
• at 60 Hz	200 ... 240 V
Control supply voltage frequency 1	50 ... 60 Hz
Operating range factor control supply voltage rated value at AC at 50 Hz	
• initial value	0.85
• Full-scale value	1.1
Operating range factor control supply voltage rated value at AC at 60 Hz	
• initial value	0.85
• Full-scale value	1.1

Switching Function

Switching function	
• ON-delay	Yes
• ON-delay/instantaneous contact	No
• passing make contact	No
• passing make contact/instantaneous contact	No
• OFF delay	No
Switching function	
• flashing symmetrically starting with interval/instantaneous	No
• flashing symmetrically starting with interval	No
• flashing symmetrically starting with pulse/instantaneous	No
• flashing symmetrically starting with pulse	No

<ul style="list-style-type: none"> • flashing asymmetrically starting with interval • flashing asymmetrically starting with pulse 	No
<ul style="list-style-type: none"> • flashing asymmetrically starting with pulse 	No
Switching function	
<ul style="list-style-type: none"> • fixed clock cycle beginning with pulse • fixed clock cycle beginning with interval 	No
<ul style="list-style-type: none"> • fixed clock cycle beginning with interval 	No
Switching function	
<ul style="list-style-type: none"> • variably clocked start with impulse • variably clocked start with interval 	No
<ul style="list-style-type: none"> • variably clocked start with interval 	No
Switching function	
<ul style="list-style-type: none"> • star-delta circuit with delay time • star-delta circuit 	No
<ul style="list-style-type: none"> • star-delta circuit 	No
Switching function with control signal	
<ul style="list-style-type: none"> • additive ON delay • passing break contact • passing break contact/instantaneous • OFF delay • OFF delay/instantaneous • pulse delayed • pulse delayed/instantaneous • pulse-shaping • pulse-shaping/instantaneous • additive ON delay/instantaneous • ON-delay/OFF-delay • ON-delay/OFF-delay/instantaneous • passing make contact • passing make contact/instantaneous contact 	No
<ul style="list-style-type: none"> • passing break contact 	No
<ul style="list-style-type: none"> • passing break contact/instantaneous 	No
<ul style="list-style-type: none"> • OFF delay 	No
<ul style="list-style-type: none"> • OFF delay/instantaneous 	No
<ul style="list-style-type: none"> • pulse delayed 	No
<ul style="list-style-type: none"> • pulse delayed/instantaneous 	No
<ul style="list-style-type: none"> • pulse-shaping 	No
<ul style="list-style-type: none"> • pulse-shaping/instantaneous 	No
<ul style="list-style-type: none"> • additive ON delay/instantaneous 	No
<ul style="list-style-type: none"> • ON-delay/OFF-delay 	No
<ul style="list-style-type: none"> • ON-delay/OFF-delay/instantaneous 	No
<ul style="list-style-type: none"> • passing make contact 	No
<ul style="list-style-type: none"> • passing make contact/instantaneous contact 	No
Switching function of interval relay with control signal	
<ul style="list-style-type: none"> • retrotriggerable with deactivated control signal/instantaneous contact • retrotriggerable with activated control signal • retrotriggerable with activated control signal/instantaneous contact • retriggerable with deactivated control signal 	No
<ul style="list-style-type: none"> • retrotriggerable with activated control signal 	No
<ul style="list-style-type: none"> • retrotriggerable with activated control signal/instantaneous contact 	No
<ul style="list-style-type: none"> • retriggerable with deactivated control signal 	No
Design of the control terminal non-floating	No
Short-circuit protection	
Design of the fuse link	
<ul style="list-style-type: none"> • for short-circuit protection of the auxiliary switch required 	fuse gL/gG: 4 A
Auxiliary circuit	
Number of NC contacts	
<ul style="list-style-type: none"> • delayed switching 	1

• instantaneous contact	0
Number of NO contacts	
• delayed switching	1
• instantaneous contact	0
Number of CO contacts	
• delayed switching	0
• instantaneous contact	0
Operating current of auxiliary contacts at AC-15	
• maximum	3 A
Operating current of auxiliary contacts as NC contact at AC-15	
• at 24 V	3 A
• at 250 V	3 A
Operating current of auxiliary contacts as NO contact at AC-15	
• at 24 V	3 A
• at 250 V	3 A
Operating current of auxiliary contacts at DC-13	
• at 24 V	1 A
• at 125 V	0.2 A
• at 250 V	0.1 A

Inputs/ Outputs	
• Product function at the relay outputs Switchover delayed/without delay	No
• Product function non-volatile	No

Electromagnetic compatibility	
EMI immunity	
• acc. to IEC 61812-1	EN 61000-6-2
Conducted interference	
• due to burst acc. to IEC 61000-4-4	2 kV network connection / 1 kV control connection
• due to conductor-earth surge acc. to IEC 61000-4-5	2 kV
• due to conductor-conductor surge acc. to IEC 61000-4-5	1 kV
Field-bound parasitic coupling acc. to IEC 61000-4-3	10 V/m
Electrostatic discharge acc. to IEC 61000-4-2	4 kV contact discharge / 8 kV air discharge

Safety related data	
Protection against electrical shock	finger-safe
Type of insulation	Basic insulation
Category acc. to EN 954-1	none

Connections/ Terminals	
-------------------------------	--

Product function	
<ul style="list-style-type: none"> removable terminal for auxiliary and control circuit 	No
Type of electrical connection	
<ul style="list-style-type: none"> for auxiliary and control current circuit 	screw-type terminals
Type of connectable conductor cross-sections	
<ul style="list-style-type: none"> solid 	1x (0.5 ... 4.0 mm ²), 2x (0.5 ... 2.5 mm ²)
<ul style="list-style-type: none"> finely stranded with core end processing 	1x (0.5 ... 2.5 mm ²), 2x (0.5 ... 1.5 mm ²)
<ul style="list-style-type: none"> at AWG conductors solid 	2x (20 ... 14)
<ul style="list-style-type: none"> at AWG conductors stranded 	2x (20 ... 14)
Connectable conductor cross-section	
<ul style="list-style-type: none"> solid 	0.5 ... 4 m ²
<ul style="list-style-type: none"> finely stranded with core end processing 	0.5 ... 2.5 m ²
AWG number as coded connectable conductor cross section	
<ul style="list-style-type: none"> solid 	18 ... 14
<ul style="list-style-type: none"> stranded 	18 ... 14

Installation/ mounting/ dimensions	
Mounting position	any
Mounting type	clip-on
Height	46 mm
Width	33 mm
Depth	73 mm
Required spacing	
<ul style="list-style-type: none"> with side-by-side mounting <ul style="list-style-type: none"> — forwards — Backwards — upwards — downwards — at the side 	0 m
<ul style="list-style-type: none"> for grounded parts <ul style="list-style-type: none"> — forwards — Backwards — upwards — at the side — downwards 	0 m
<ul style="list-style-type: none"> for live parts <ul style="list-style-type: none"> — forwards — Backwards — upwards — downwards — at the side 	0 m

Ambient conditions

Installation altitude at height above sea level	
<ul style="list-style-type: none"> • maximum 	2 000 m
Ambient temperature	
<ul style="list-style-type: none"> • during operation • during storage • during transport 	-25 ... +60 °C -40 ... +85 °C -40 ... +85 °C
Relative humidity	
<ul style="list-style-type: none"> • during operation 	15 ... 95 %

Certificates/ approvals

General Product Approval	EMC	Functional Safety/Safety of Machinery
---------------------------------	------------	--



CCC



CSA



UL



RCM

[Type Examination Certificate](#)

Declaration of Conformity	Test Certificates	Marine / Shipping
----------------------------------	--------------------------	--------------------------



EG-Konf.

[Miscellaneous](#)

[Special Test Certificate](#)

[Type Test Certificates/Test Report](#)



ABS



PRS

Marine / Shipping	other	Railway
--------------------------	--------------	----------------



RINA



RMRS



DNVGL.COM/AF

[Confirmation](#)

[Miscellaneous](#)

[Special Test Certificate](#)

Further information

Information- and Downloadcenter (Catalogs, Brochures,...)

<https://www.siemens.com/ic10>

Industry Mall (Online ordering system)

<https://mall.industry.siemens.com/mall/en/en/Catalog/product?mlfb=3RT1926-2ED31>

Cax online generator

<http://support.automation.siemens.com/WW/CAXorder/default.aspx?lang=en&mlfb=3RT1926-2ED31>

Service&Support (Manuals, Certificates, Characteristics, FAQs,...)

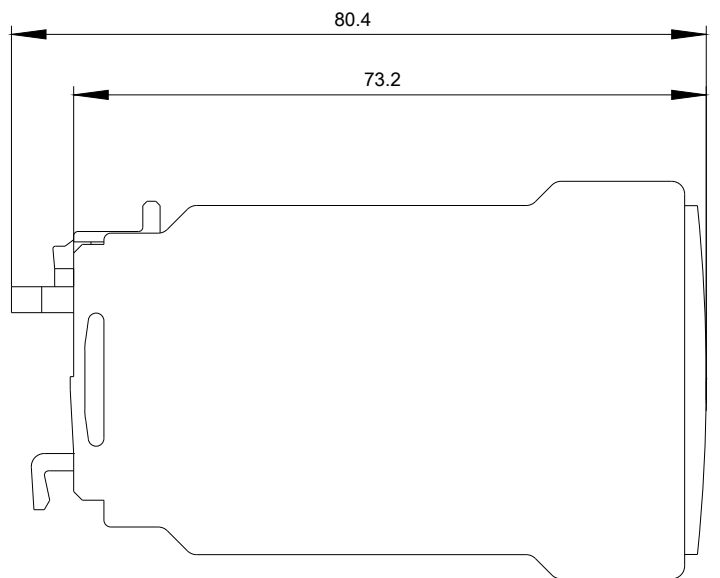
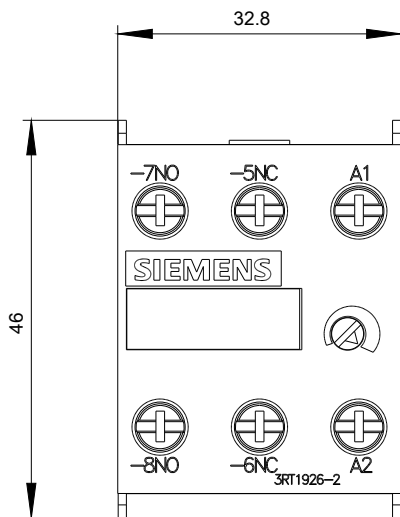
<https://support.industry.siemens.com/cs/ww/en/ps/3RT1926-2ED31>

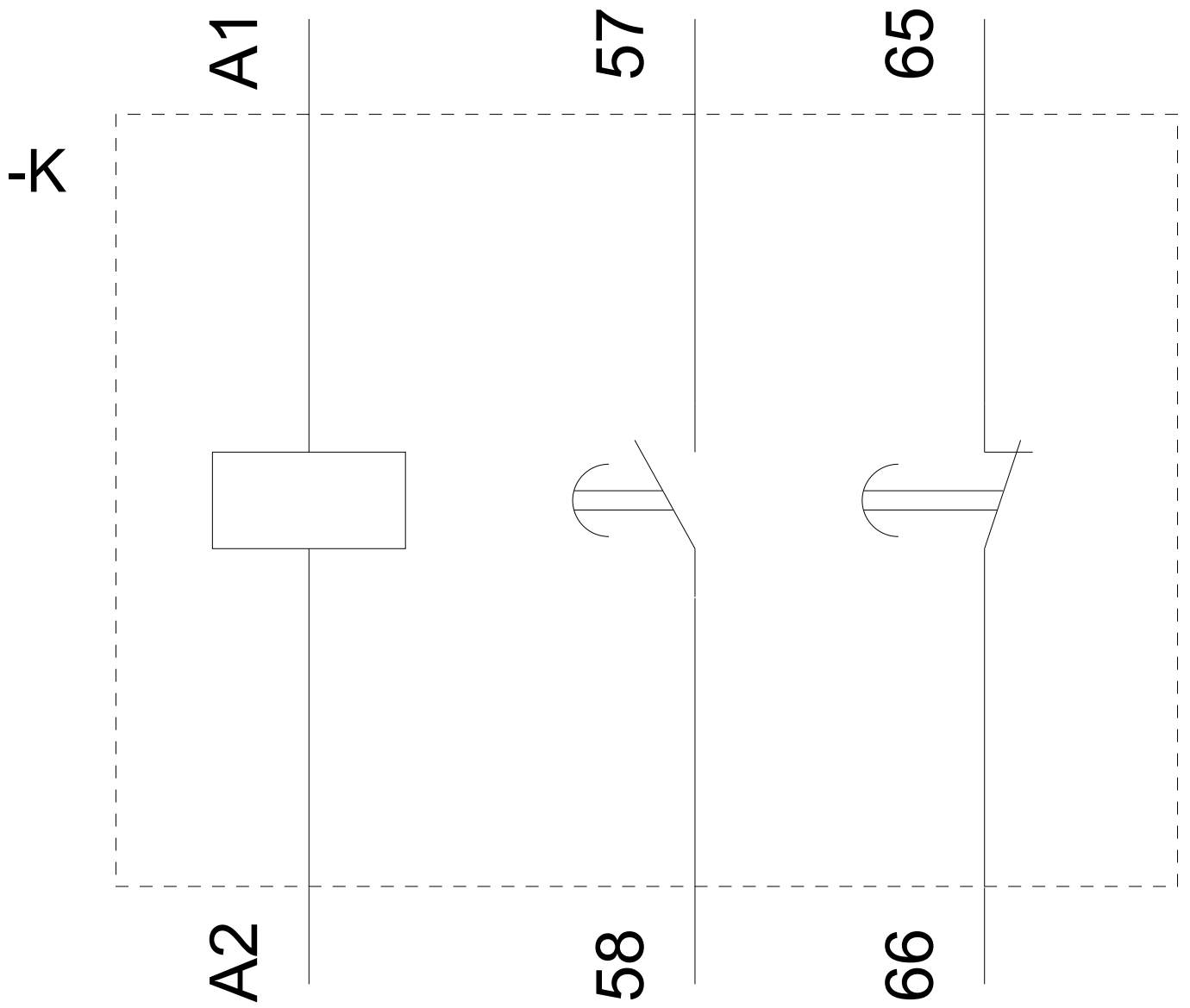
Image database (product images, 2D dimension drawings, 3D models, device circuit diagrams, EPLAN macros, ...)

http://www.automation.siemens.com/bilddb/cax_de.aspx?mlfb=3RT1926-2ED31&lang=en

Characteristic: Derating

<https://support.industry.siemens.com/cs/ww/en/ps/3RT1926-2ED31/manual>





last modified:

08/11/2020