



SIRIUS MCU motor starter Enclosure degree of protection IP55 plastic  
 Communication without electromechanically switching Short-circuit protection with  
 circuit breaker DOL starter Brake without Performance class 2.00 A Motor circuit  
 breaker with bi-metal thermal Manual operation without Connection power M screw  
 connection Standard product

<b>product brand name</b>	SIRIUS
<b>product designation</b>	motor starter MCU, I/O controlled
<b>design of the product</b>	direct starter
<b>product function</b>	
• bus communication	No
• short circuit protection	Yes
<b>protection class IP</b>	IP55
<b>operating frequency minimum</b>	80 1/h
<b>type of assignment</b>	1
<b>reference code according to IEC 81346-2</b>	Q
<b>Substance Prohibitance (Date)</b>	05/01/2012
<b>SVHC substance name</b>	Blei - 7439-92-1
<b>product component motor brake output</b>	No
<b>product feature</b>	
• brake control with 400 V AC	No
• brake control with 24 V DC	No
• brake control with 180 V DC	No
• brake control with 500 V DC	No
<b>product extension braking module for brake control</b>	No
<b>design of short-circuit protection</b>	circuit-breakers
maximum short-circuit current breaking capacity (I <sub>cu</sub> ) at 400 V rated value	50 000 A
B10 value with high demand rate according to SN 31920	1 000 000
<b>proportion of dangerous failures</b>	
• with low demand rate according to SN 31920	50 %
• with high demand rate according to SN 31920	75 %
failure rate [FIT] with low demand rate according to SN 31920	100 FIT
<b>Main circuit</b>	
<b>number of poles for main current circuit</b>	3
<b>design of the switching contact</b>	electromechanical
<b>adjustable current response value current of the current-dependent overload release</b>	1.4 ... 2 A
<b>type of the motor protection</b>	bimetal
<b>type of voltage</b>	DC
operating voltage rated value	340 ... 440 V
<b>operating frequency 1 rated value</b>	50 Hz
<b>operating frequency 2 rated value</b>	60 Hz
<b>relative positive tolerance of the operating frequency</b>	10 %
<b>relative negative tolerance of the operating frequency</b>	-10 %
<b>operational current</b>	
• at AC at 400 V rated value	2 A

• at AC-3 at 400 V rated value	2 A		
operating power at AC-3 at 400 V rated value	0.8 kW		
operating power for 3-phase motors at 400 V at 50 Hz	0.75 ... 0.75 kW		
<b>number of digital inputs</b>	0		
<b>type of voltage of the supply voltage</b>	DC		
control supply voltage at DC rated value	20.4 ... 26.4 V		
<b>mounting position</b>	+/-180° rotation possible on vertical mounting surface; can be tilted forward and backward by +/- 22.5° on vertical mounting surface		
<b>height</b>	220 mm		
<b>width</b>	182 mm		
<b>depth</b>	145 mm		
<b>Ambient conditions</b>			
ambient temperature during operation	-25 ... +35 °C		
<b>protocol is supported</b>			
• PROFIBUS DP protocol	No		
• PROFINET protocol	No		
protocol is supported AS-Interface protocol	No		
type of electrical connection for main current circuit	screw-type terminals		
<b>General Product Approval</b>	<b>Declaration of Conformity</b>	<b>Test Certificates</b>	<b>other</b>

[Confirmation](#)



EG-Konf.



[Type Test Certificates/Test Report](#)

[Confirmation](#)

**Dangerous Good**

[Transport Information](#)

#### Further information

**Siemens has decided to exit the Russian market (see here).**

<https://press.siemens.com/global/en/pressrelease/siemens-wind-down-russian-business>

**Siemens is working on the renewal of the current EAC certificates.**

Please contact your local Siemens office on the status of validity of the EAC certification if you intend to import or offer to supply these products to an EAC relevant market (other than the sanctioned EAEU member states Russia or Belarus).

**Information on the packaging**

<https://support.industry.siemens.com/cs/ww/en/view/109813875>

**Information- and Downloadcenter (Catalogs, Brochures,...)**

<https://www.siemens.com/ic10>

**Industry Mall (Online ordering system)**

<https://mall.industry.siemens.com/mall/en/en/Catalog/product?mlfb=3RK4340-3FR51-0BA0>

**Cax online generator**

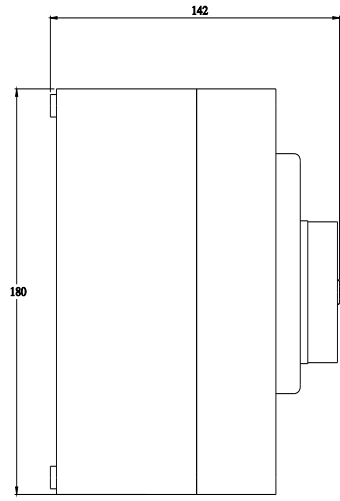
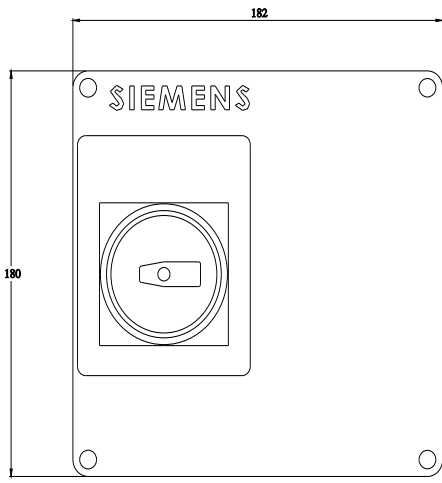
<http://support.automation.siemens.com/WW/CAXorder/default.aspx?lang=en&mlfb=3RK4340-3FR51-0BA0>

**Service&Support (Manuals, Certificates, Characteristics, FAQs,...)**

<https://support.industry.siemens.com/cs/ww/en/ps/3RK4340-3FR51-0BA0>

**Image database (product images, 2D dimension drawings, 3D models, device circuit diagrams, EPLAN macros, ...)**

[http://www.automation.siemens.com/bilddb/cax\\_de.aspx?mlfb=3RK4340-3FR51-0BA0&lang=en](http://www.automation.siemens.com/bilddb/cax_de.aspx?mlfb=3RK4340-3FR51-0BA0&lang=en)



---

last modified:

9/1/2023 