

Load feeder fuseless, Reversing duty 400 V AC, Size S00 10.0...16.0  
 A 24 V DC screw terminal for installation on standard mounting rail  
 Type of coordination 1, I<sub>q</sub> = 150 kA 1 NC (contactor)



<b>product brand name</b>	SIRIUS
<b>Product designation</b>	Reversing starter
<b>Design of the product</b>	for standard rail or screw mounting
<b>Product type designation</b>	3RA22
<b>Manufacturer's article number</b>	
<ul style="list-style-type: none"> <li>• of the supplied contactor</li> </ul>	<a href="#">3RT2018-1BB42</a>
<ul style="list-style-type: none"> <li>• of the supplied circuit-breakers</li> </ul>	<a href="#">3RV2011-4AA10</a>
<ul style="list-style-type: none"> <li>• of the supplied link module</li> </ul>	<a href="#">3RA1921-1DA00</a>

General technical data	
<b>Size of the circuit-breaker</b>	S00
<b>Size of load feeder</b>	S00
<ul style="list-style-type: none"> <li>• Insulation voltage with degree of pollution 3 at AC rated value</li> </ul>	690 V
<b>Surge voltage resistance rated value</b>	6 kV
<ul style="list-style-type: none"> <li>• protection class IP on the front</li> </ul>	IP20
<ul style="list-style-type: none"> <li>• Protection class IP of the terminal</li> </ul>	IP20
<b>Shock resistance</b>	
<ul style="list-style-type: none"> <li>• acc. to IEC 60068-2-27</li> </ul>	6g / 11 ms
<b>Mechanical service life (switching cycles)</b>	

• of contactor typical	30 000 000
<b>Type of assignment</b>	1
<b>Type of protection according to ATEX directive 2014/34/EU</b>	Ex II (2) GD
Certificate of suitability according to ATEX directive 2014/34/EU	DMT 02 ATEX F 001

Ambient conditions	
<b>Ambient temperature</b>	
• during operation	-20 ... +60 °C
• during storage	-50 ... +80 °C
• during transport	-50 ... +80 °C
<b>Temperature compensation</b>	-20 ... +60 °C
Relative humidity during operation	10 ... 95 %

Main circuit	
<b>Number of poles for main current circuit</b>	3
<b>design of the switching contact</b>	electromechanical
<b>adjustable pick-up value current of the current-dependent overload release</b>	10 ... 16 A
<b>Operating voltage</b>	
• rated value	690 V
• at AC-3 rated value maximum	690 V
<b>Operating frequency rated value</b>	50 ... 60 Hz
<b>Operating current</b>	
• at AC-3	
— at 400 V rated value	15.5 A
<b>Operating power</b>	
• at AC-3	
— at 400 V rated value	7 500 W

Control circuit/ Control	
<b>Type of voltage of the control supply voltage</b>	DC
<b>Control supply voltage at DC</b>	
• rated value	24 V
<b>Holding power of magnet coil at DC</b>	4 W

Auxiliary circuit	
<b>Product extension Auxiliary switch</b>	Yes

Protective and monitoring functions	
<b>Trip class</b>	CLASS 10
<b>Design of the overload release</b>	thermal (bimetallic)

UL/CSA ratings	
<b>Full-load current (FLA) for three-phase AC motor</b>	
• at 480 V rated value	14 A

<b>Yielded mechanical performance [hp]</b>	
<ul style="list-style-type: none"> <li>• for three-phase AC motor <ul style="list-style-type: none"> <li>— at 220/230 V rated value</li> <li>— at 460/480 V rated value</li> <li>— at 575/600 V rated value</li> </ul> </li> </ul>	<p>5 hp</p> <p>10 hp</p> <p>10 hp</p>

<b>Short-circuit protection</b>	
<b>Product function Short circuit protection</b>	Yes
<b>Design of the short-circuit trip</b>	magnetic
<b>Conditional short-circuit current (I<sub>q</sub>)</b>	
<ul style="list-style-type: none"> <li>• at 400 V acc. to IEC 60947-4-1 rated value</li> </ul>	150 000 A

<b>Installation/ mounting/ dimensions</b>	
<ul style="list-style-type: none"> <li>• <b>mounting position</b></li> </ul>	vertical
<b>Mounting type</b>	screw and snap-on mounting onto 35 mm standard mounting rail
<b>Height</b>	170 mm
<b>Width</b>	90 mm
<b>Depth</b>	97 mm
<b>Required spacing</b>	
<ul style="list-style-type: none"> <li>• for grounded parts <ul style="list-style-type: none"> <li>— forwards</li> <li>— Backwards</li> <li>— upwards</li> <li>— at the side</li> <li>— downwards</li> </ul> </li> <li>• for live parts <ul style="list-style-type: none"> <li>— forwards</li> <li>— Backwards</li> <li>— upwards</li> <li>— downwards</li> <li>— at the side</li> </ul> </li> </ul>	<p>32 mm</p> <p>0 mm</p> <p>50 mm</p> <p>10 mm</p> <p>10 mm</p> <p>32 mm</p> <p>0 mm</p> <p>50 mm</p> <p>10 mm</p> <p>10 mm</p>

<b>Connections/ Terminals</b>	
<ul style="list-style-type: none"> <li>• Type of electrical connection for main current circuit</li> </ul>	screw-type terminals
<b>Type of connectable conductor cross-sections</b>	
<ul style="list-style-type: none"> <li>• for main contacts <ul style="list-style-type: none"> <li>— stranded</li> </ul> </li> <li>• at AWG conductors for main contacts</li> </ul>	<p>0.5 ... 4 mm<sup>2</sup>, 2x (0.75 ... 2.5 mm<sup>2</sup>)</p> <p>2x (20 ... 16), only for contactor 2x (18 ... 14), 2x 12</p>
<b>Connectable conductor cross-section for main contacts</b>	
<ul style="list-style-type: none"> <li>• finely stranded with core end processing</li> </ul>	0.5 ... 2.5 mm <sup>2</sup>

<b>Safety related data</b>	
<b>B10 value</b>	

• with high demand rate acc. to SN 31920 1 000 000

**Proportion of dangerous failures**

• with high demand rate acc. to SN 31920 73 %

**Certificates/ approvals**

<b>General Product Approval</b>	<b>For use in hazardous locations</b>	<b>Declaration of Conformity</b>
---------------------------------	---------------------------------------	----------------------------------



[Miscellaneous](#)

<b>Test Certificates</b>	<b>Marine / Shipping</b>
--------------------------	--------------------------

[Type Test Certificates/Test Report](#)

[Special Test Certificate](#)



<b>Marine / Shipping</b>	<b>other</b>	<b>Railway</b>
--------------------------	--------------	----------------



[Confirmation](#)

[Vibration and Shock](#)

**Further information**

**Information- and Downloadcenter (Catalogs, Brochures,...)**

<https://www.siemens.com/ic10>

**Industry Mall (Online ordering system)**

<https://mall.industry.siemens.com/mall/en/en/Catalog/product?mlfb=3RA2210-4AA18-2BB4>

**Cax online generator**

<http://support.automation.siemens.com/WW/CAXorder/default.aspx?lang=en&mlfb=3RA2210-4AA18-2BB4>

**Service&Support (Manuals, Certificates, Characteristics, FAQs,...)**

<https://support.industry.siemens.com/cs/ww/en/ps/3RA2210-4AA18-2BB4>

**Image database (product images, 2D dimension drawings, 3D models, device circuit diagrams, EPLAN macros, ...)**

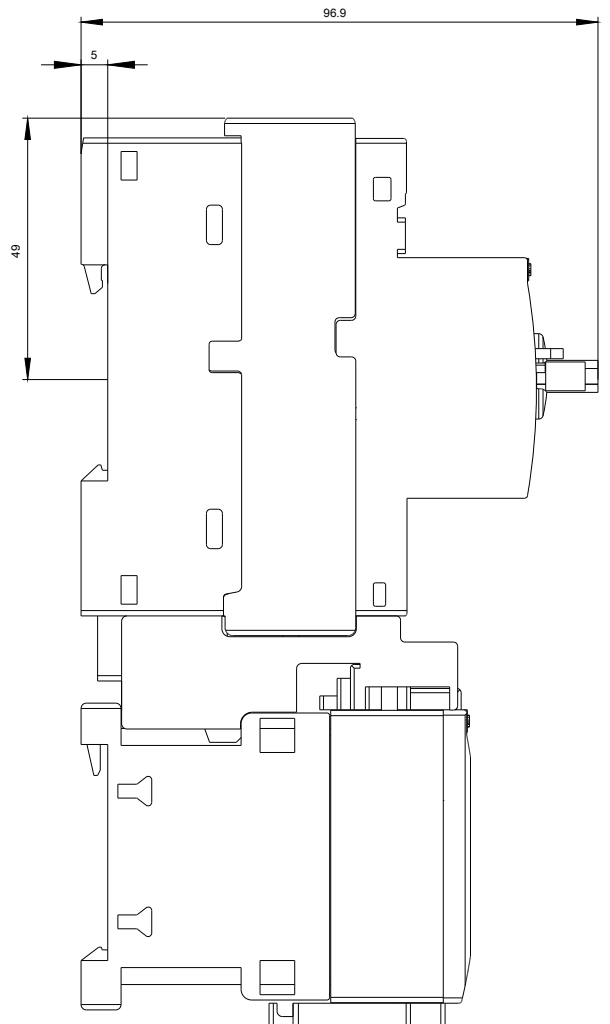
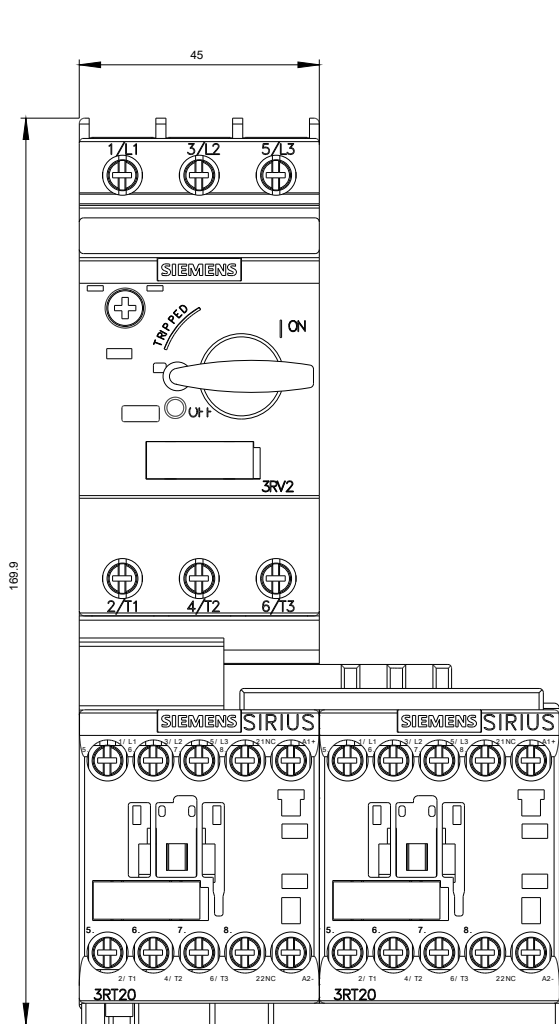
[http://www.automation.siemens.com/bilddb/cax\\_de.aspx?mlfb=3RA2210-4AA18-2BB4&lang=en](http://www.automation.siemens.com/bilddb/cax_de.aspx?mlfb=3RA2210-4AA18-2BB4&lang=en)

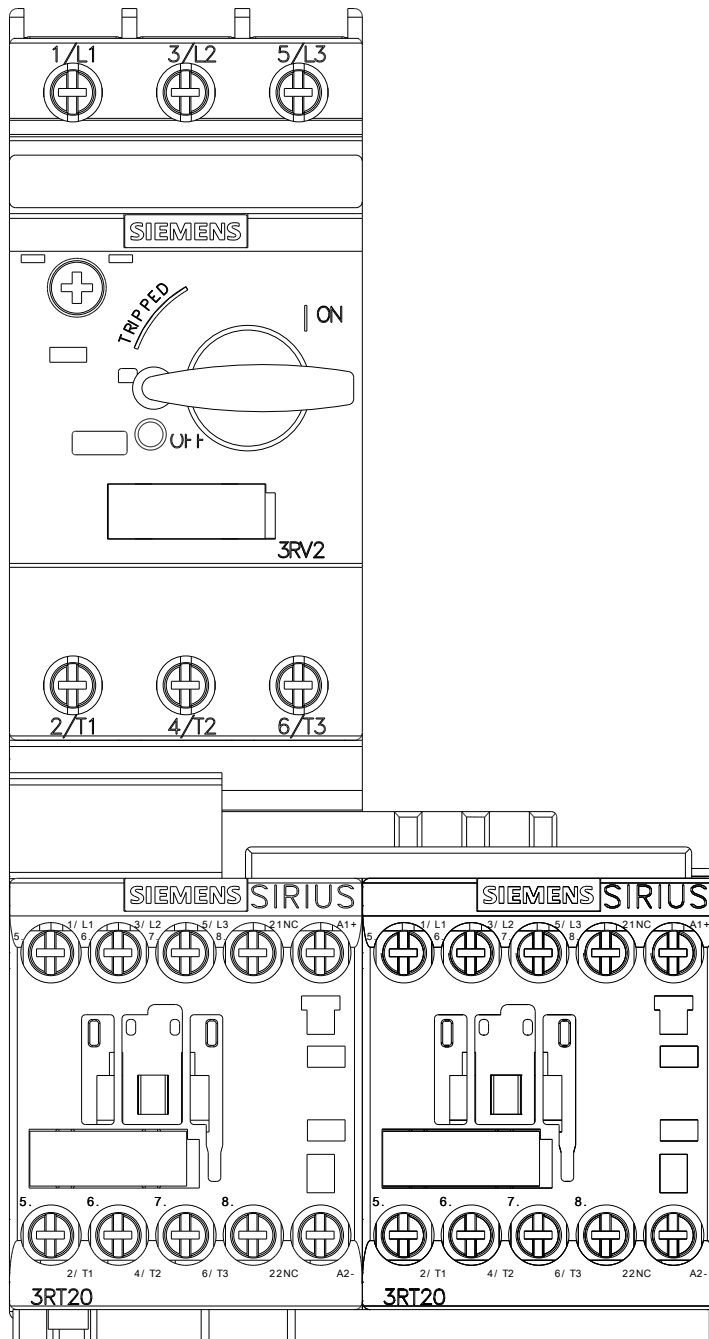
**Characteristic: Tripping characteristics, I<sub>t</sub>, Let-through current**

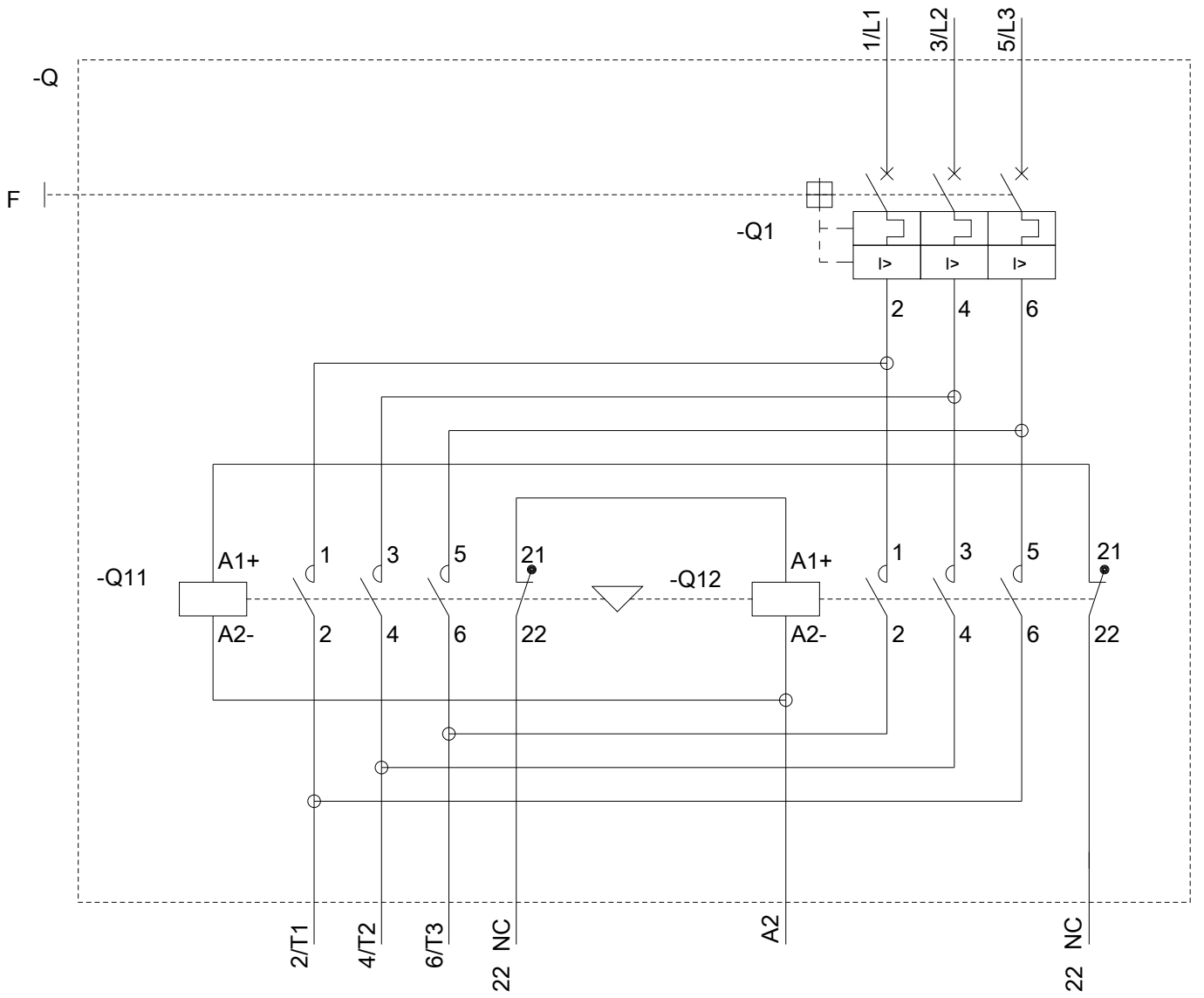
<https://support.industry.siemens.com/cs/ww/en/ps/3RA2210-4AA18-2BB4/char>

**Further characteristics (e.g. electrical endurance, switching frequency)**

<http://www.automation.siemens.com/bilddb/index.aspx?view=Search&mlfb=3RA2210-4AA18-2BB4&objecttype=14&gridview=view1>







last modified:

08/13/2020